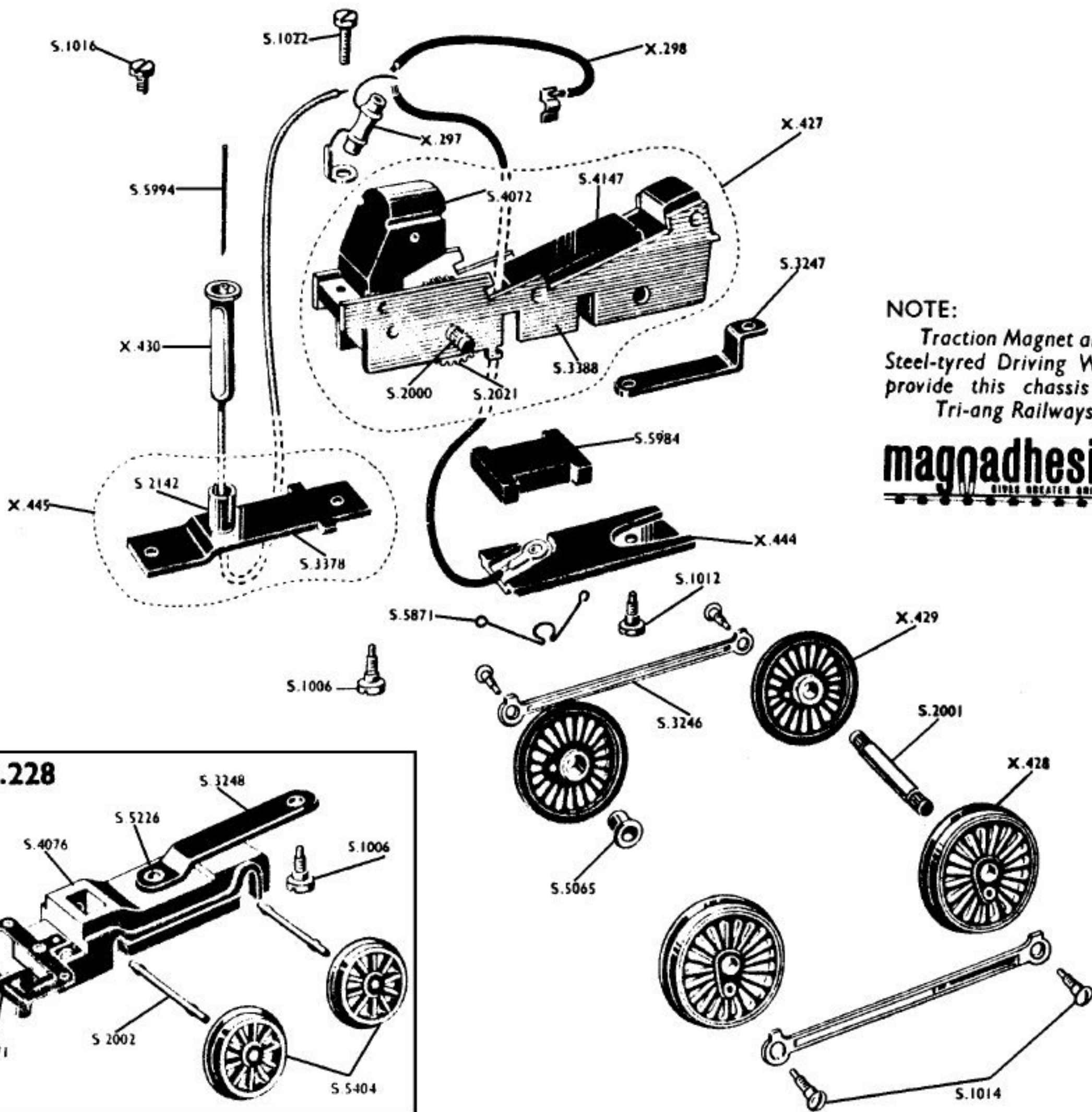


CHASSIS & BOGIE—R.350

As produced after 1st January, 1961

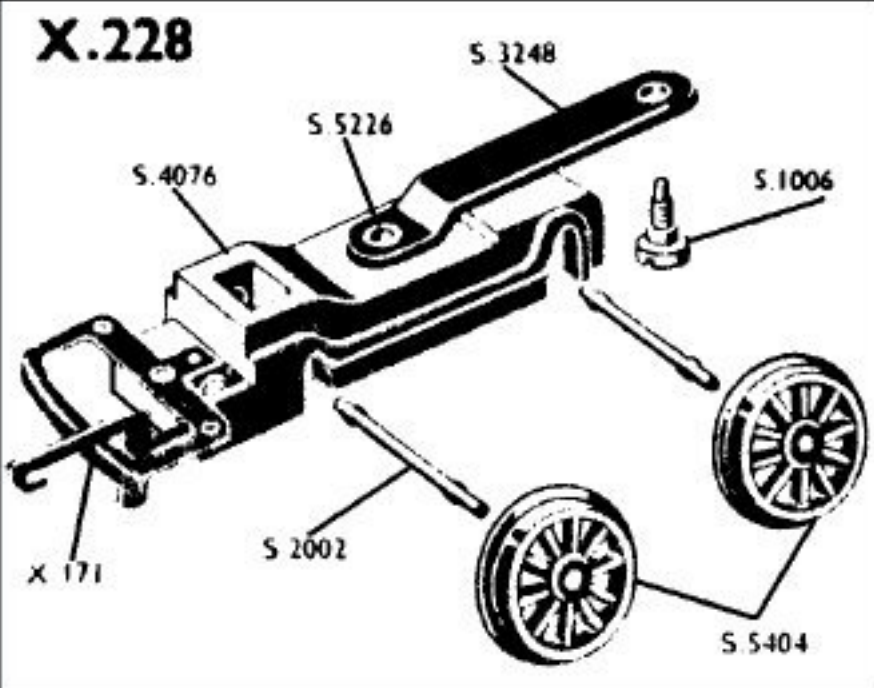


NOTE:

Traction Magnet and Steel-tyred Driving Wheels provide this chassis with Tri-ang Railways . . .

magnadhesion
BIGGER GREATER GRIP

X.228



- X.171** Mk. 3 Coupling Unit
- X.228** Loco Bogie
- X.297** T.V. Suppressor and Tag Washer
- X.298** Brush Lead and Clip
- X.427** Chassis Assembly (comprising S.2000, S.2021, 2—S.3388, S.4072, S.4147)
- X.428** Flanged Unbushed Driving Wheel
- X.429** Flanged Bushed Driving Wheel
- X.430** Smoke Generator with Lead (without smoke pipe)
- X.444** Collector Diaphragm and Lead

- X.445** Chassis Extension with Smoke Unit Holder
- S.1006** Bogie Securing Screw
- S.1012** Collector Securing Screw
- S.1014** Coupling Rod Screw
- S.1016** Body Securing Screw
- S.1022** Chassis Extension Screw
- S.2000** Knurled Driving Axle
- S.2001** Plain Driving Axle
- S.2002** Double Splined Axle
- S.2021** Worm Wheel (40 Teeth)
- S.2142** Smoke Unit Holder
- S.3246** Coupling Rod

- S.3247** Drawbar
- S.3248** Bogie Link
- S.3378** Chassis Extension
- S.3388** Main Frame
- S.4072** Front Weight
- S.4076** Bogie Frame
- S.4147** Rear Weight
- S.5065** Insulating Bush
- S.5226** Eyelet
- S.5404** Loco Bogie Wheel
- S.5871** Collector Spring
- S.5984** Traction Magnet
- S.5994** Smoke Pipe

For Motor see Servicing Sheet No. 1.

Modifications are made to Tri-ang Railways models from time to time. If a spare part is required which does not coincide with the illustration, a full description should be given and, if necessary, a sketch or sample should accompany the order.

PRINTED IN ENGLAND



ROVEX SCALE MODELS LIMITED
WESTWOOD, MARGATE, KENT, ENGLAND
A Member of the Lines Bros. Group of Companies

SERVICING SHEET

No. 29

Issued May, 1961