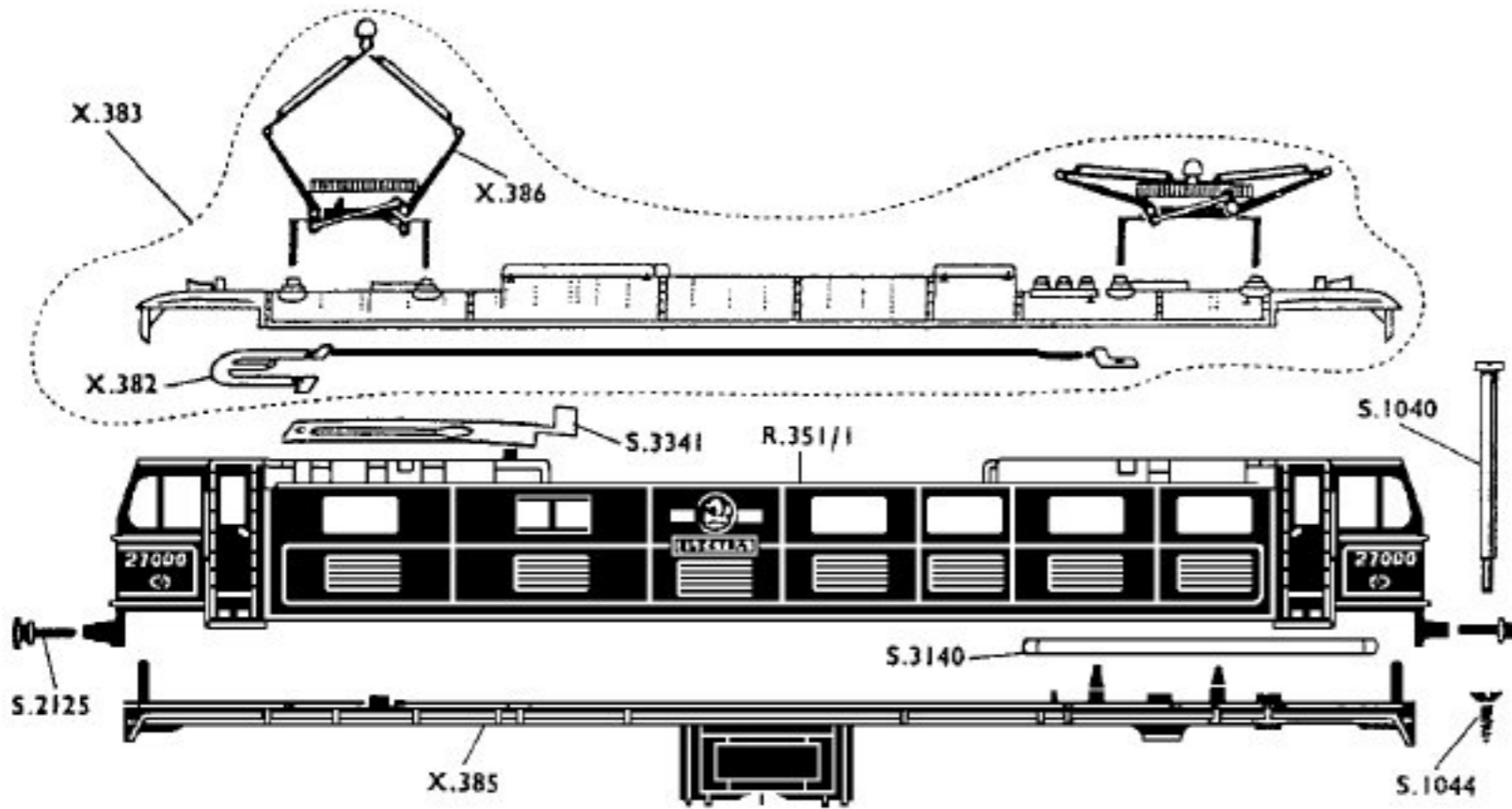
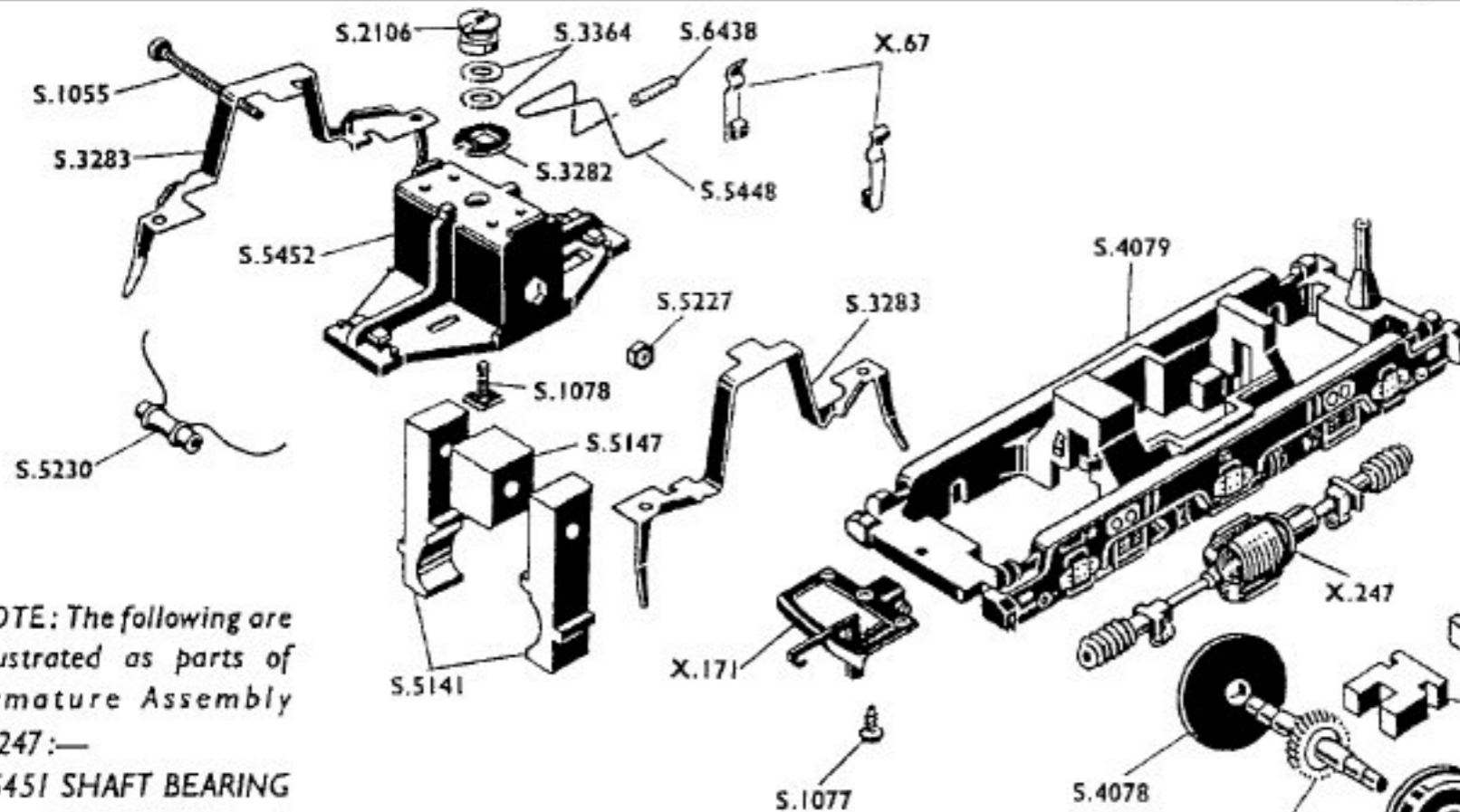
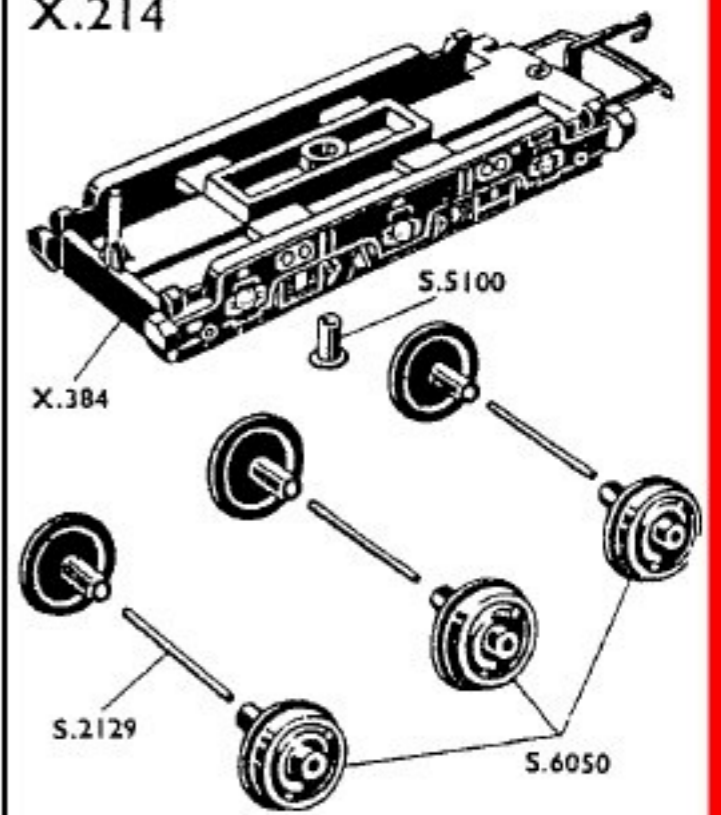


## LOCOMOTIVE - R.351



X.214



X.213

NOTE: When dismantling, the magnet and pole pieces should be withdrawn through the base of the power bogie at the same time as the armature assembly.

To avoid loss of magnetism, a suitable keeper must be applied to the magnet before it is separated from the pole pieces.

NOTE: The following are illustrated as parts of Armature Assembly X.247:—

S.5451 SHAFT BEARING  
S.2051 WORM (2 Start)

They can be supplied as individual spare parts if required.

R.351/1	Body Complete with Windows	X.385	Underframe Assembly	S.3364	6 BA Washer
X.67	Brush Arm and Brush	X.386	Pantograph	S.4078	Wheel for Power Bogie
X.171	Mk. 3 Coupling Unit	S.1003	Keeper Plate Screw	S.4079	Power Bogie Main Frame
X.213	Power Bogie	S.1040	Roof Screw	S.5100	Bogie Eyelet
X.214	Non-powered Bogie	S.1044	Weight Screw	S.5141	Pole Piece
X.247	Armature Assembly (including Commutator, Worms and Bearings).	S.1055	Magnet Screw	S.5147	Magnet
X.336	Axle Assembly for Power Bogie X.213 (comprising 2—S.4078, 1—S.5449)	S.1077	Coupling Screw (½")	S.5227	Magnet Screw Nut
X.382	Pantograph Contact, Tag and Lead	S.1078	Pivot Screw	S.5230	Capacitor
X.383	Roof Assembly Complete	S.2106	Pivot Nut	S.5447	Traction Magnet Type 'B'
X.384	Non-powered Bogie Frame Assembly	S.2125	Oval-headed Buffer	S.5448	Brush Spring
		S.2129	Non-powered Bogie Axle	S.5449	Worm Wheel and Axle
		S.3140	Weight	S.5452	Top Housing
		S.3282	Insulating Washer	S.5453	Keeper Plate
		S.3283	Collector Unit	S.6438	Insulating Sleeve
		S.3341	Sliding Contact	S.6050	Wheel for Non-powered Bogie

Modifications are made to Tri-ang Railways models from time to time. If a spare part is required which does not coincide with the illustration, a full description should be given and, if necessary, a sketch or sample should accompany the order.

PRINTED IN ENGLAND



**ROVEX SCALE MODELS LIMITED**  
WESTWOOD, MARGATE, KENT, ENGLAND  
A Member of the Lines Bros. Group of Companies

**SERVICING SHEET**  
No. 30  
Issued August, 1962