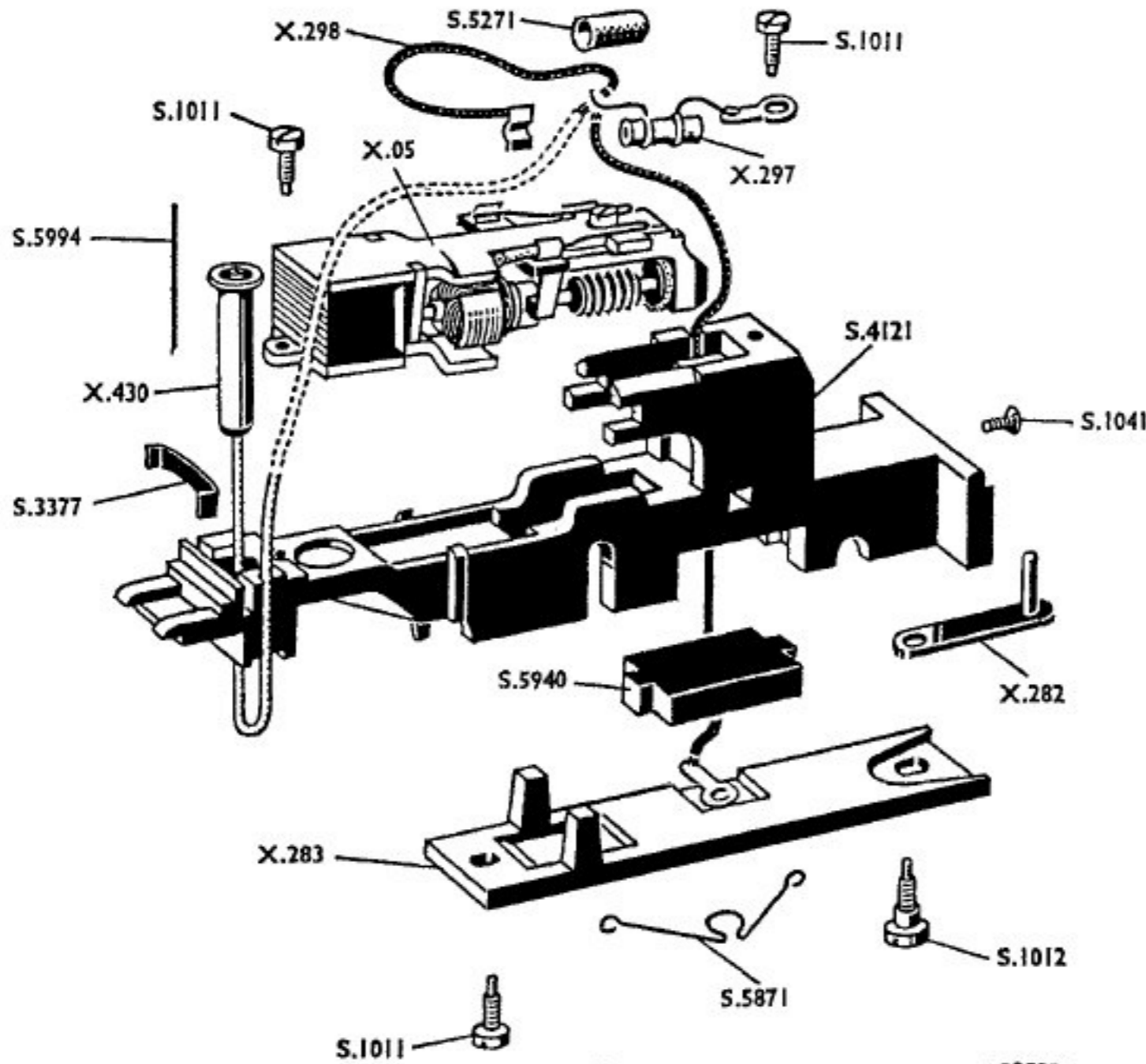


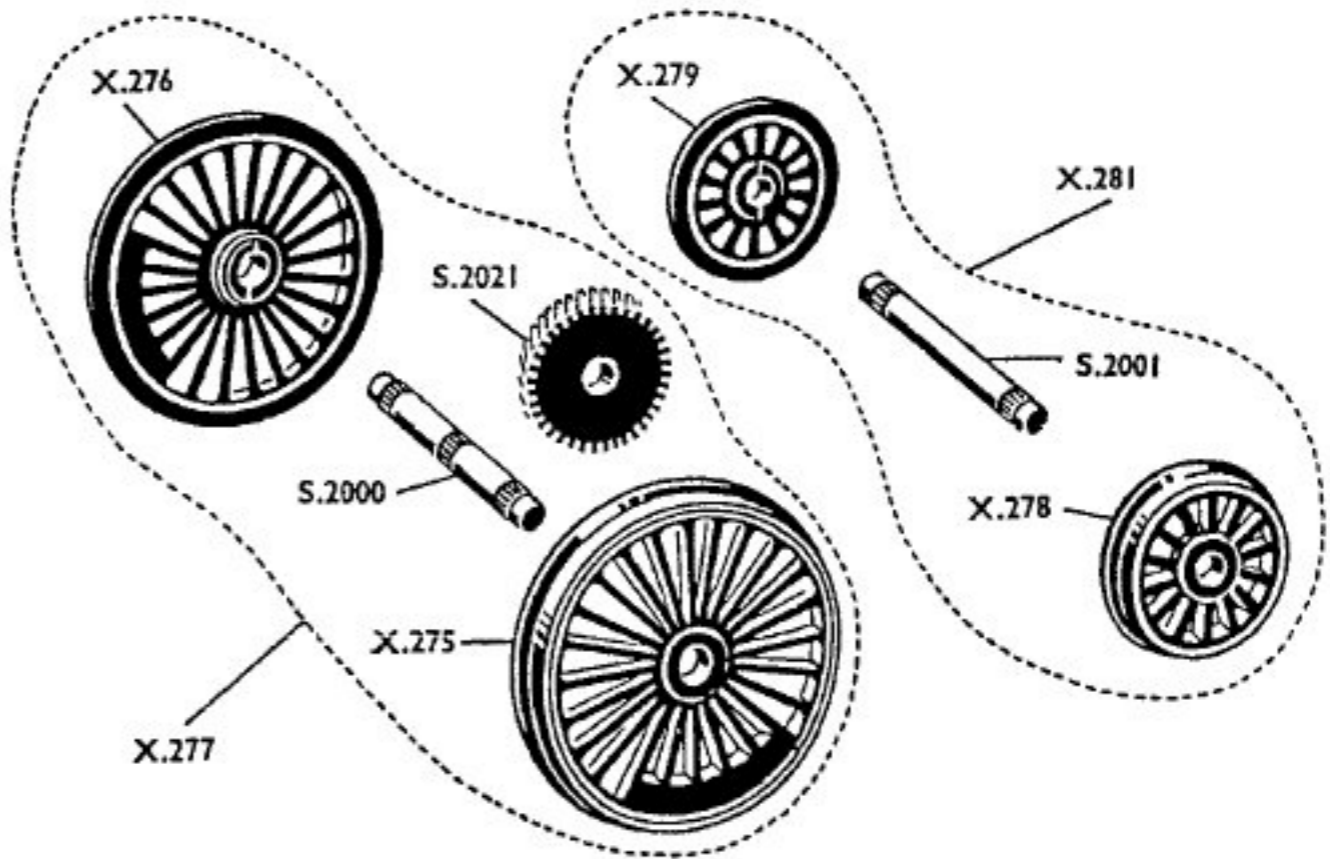
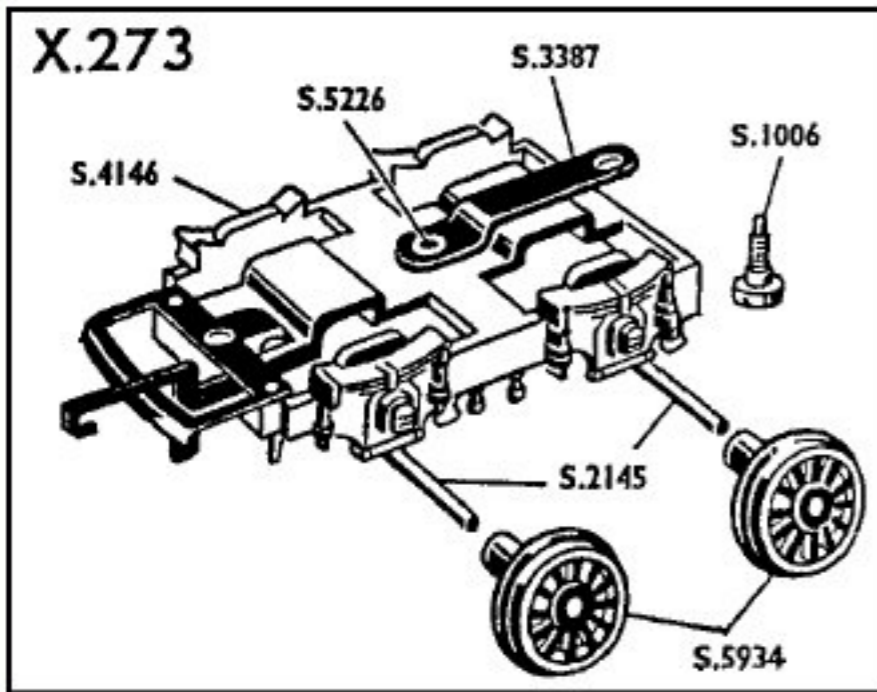
## MOTOR, CHASSIS & BOGIE—R.354, R.354S



**NOTE:**

A Traction Magnet and Steel-tyred Driving Wheels provide this chassis with Tri-ang Railways . . . .

**magnadhesion**  
GIVES GREATER GRIP



- |              |   |               |  |               |                             |
|--------------|---|---------------|--|---------------|-----------------------------|
| <b>X.05</b>  | Mark V Motor (as XT.60 but with two-start worm)                 | <b>X.283</b>  | Collector Diaphragm and Lead (without spring)  | <b>S.2001</b> | Plain Driving Axle          |
| <b>X.273</b> | Loco Bogie  | <b>X.297</b>  | T.V. Suppressor and Tag Washer                 | <b>S.2021</b> | Worm Wheel (40 Teeth)       |
| <b>X.275</b> | Unbushed Driving Wheel  | <b>X.298</b>  | Brush Lead and Clip                            | <b>S.2145</b> | Plain Bogie Axle            |
| <b>X.276</b> | Bushed Driving Wheel  | <b>X.430</b>  | Smoke Generator with Lead (without smoke pipe) | <b>S.3377</b> | Smoke Unit Retaining Spring |
| <b>X.277</b> | Driving Axle Assembly (comprising X.275, X.276, S.2000, S.2021) | <b>S.1006</b> | Bogie Securing Screw                           | <b>S.3387</b> | Bogie Link                  |
| <b>X.278</b> | Unbushed Trailing Wheel   | <b>S.1011</b> | Motor, Suppressor and Collector Securing Screw | <b>S.4121</b> | Chassis Casting             |
| <b>X.279</b> | Bushed Trailing Wheel   | <b>S.1012</b> | Drawbar and Collector Securing Screw           | <b>S.4146</b> | Bogie Frame                 |
| <b>X.281</b> | Trailing Axle Assembly (comprising X.278, X.279, S.2001)        | <b>S.1041</b> | Body Securing Screw                            | <b>S.5226</b> | Eyelet                      |
| <b>X.282</b> | Drawbar   | <b>S.2000</b> | Knurled Driving Axle                           | <b>S.5271</b> | Insulating Sleeve           |
|              |   |               |  | <b>S.5871</b> | Collector Spring            |
|              |   |               |  | <b>S.5934</b> | Bogie Wheel                 |
|              |   |               |  | <b>S.5940</b> | Traction Magnet             |
|              |   |               |  | <b>S.5994</b> | Smoke Pipe                  |

Modifications are made to Tri-ang Railways models from time to time. If a spare part is required which does not coincide with the illustration, a full description should be given and, if necessary, a sketch or sample should accompany the order.

PRINTED IN ENGLAND



**ROVEX SCALE MODELS LIMITED**  
WESTWOOD, MARGATE, KENT, ENGLAND  
A Member of the Lines Bros. Group of Companies

**SERVICING SHEET**  
No. 32  
Issued August, 1962