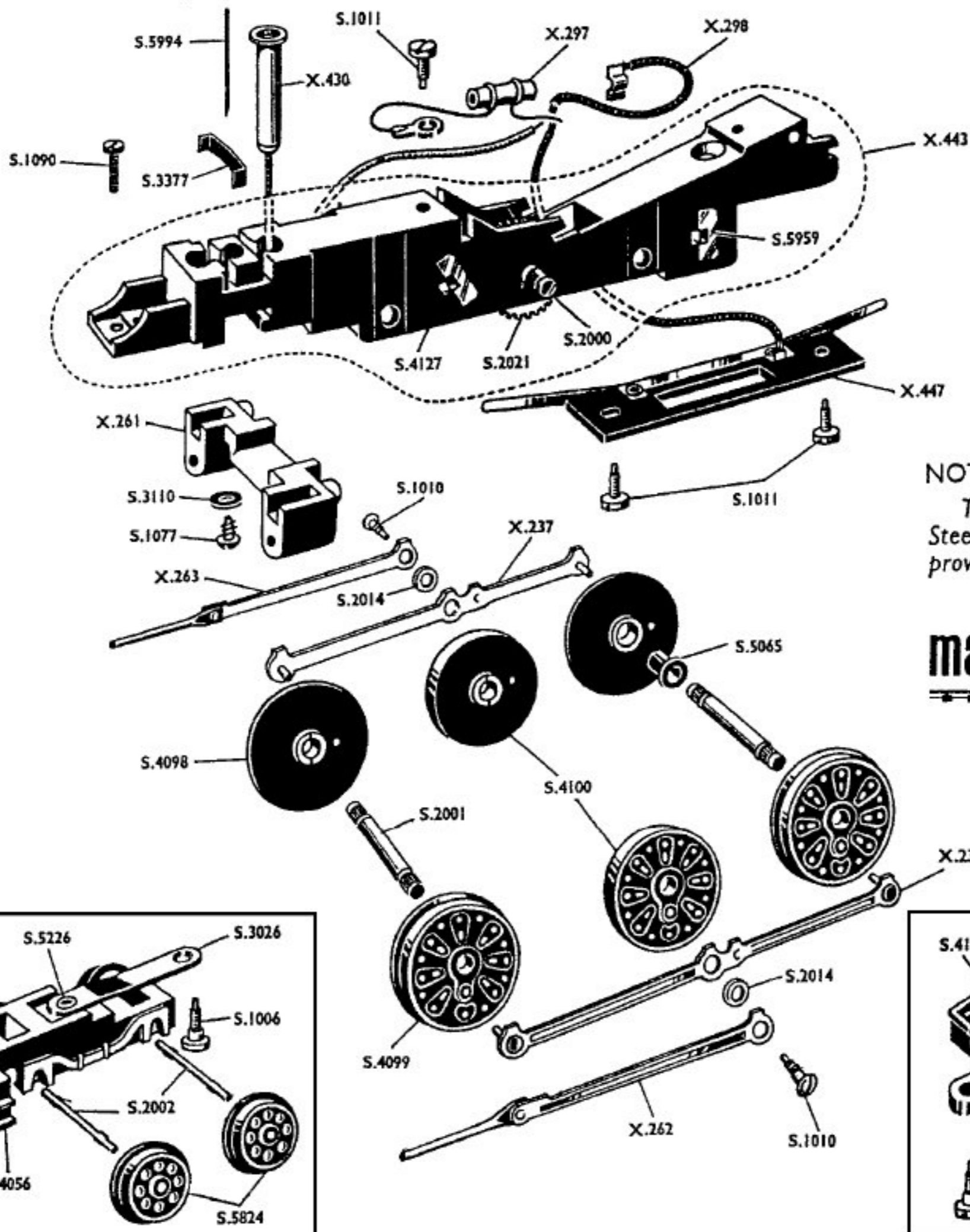


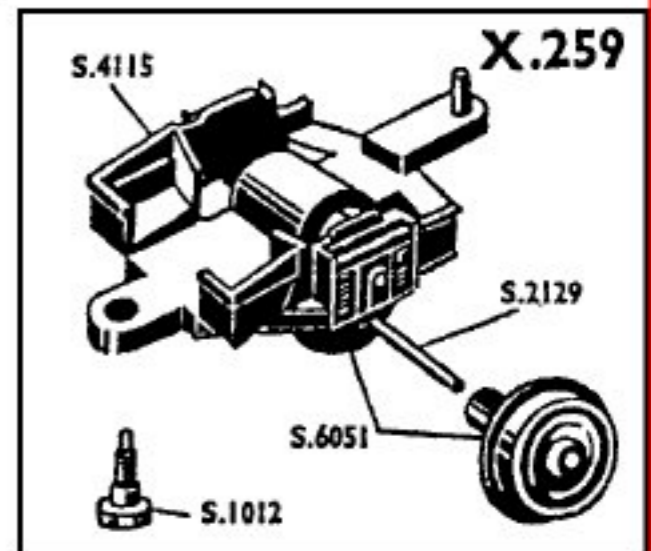
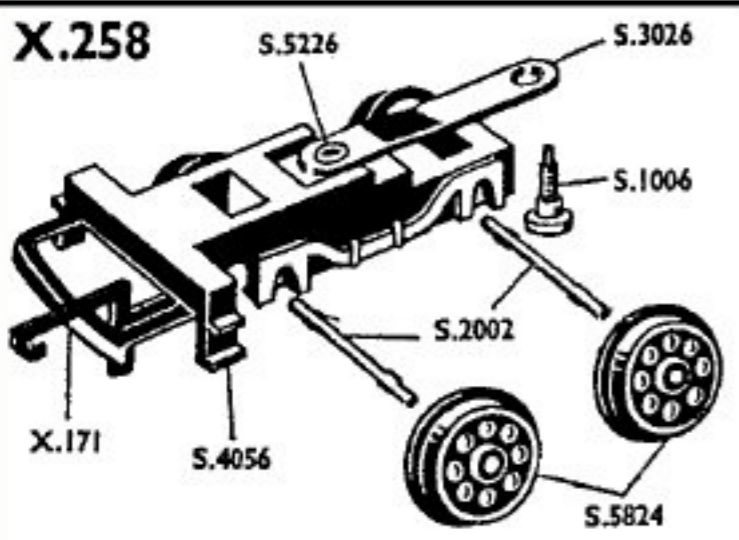
CHASSIS, BOGIE & PONY TRUCK—R.356, R.356S



NOTE:

Traction Magnets and Steel-tired Driving Wheels provide this chassis with Tri-ang Railways . . .

magnadhesion
BIGGER GREATER GRIP



- | | | | | | |
|--------------|--|---------------|-------------------------------|---------------|---------------------------------|
| X.171 | Mk. 3 Coupling Unit | X.447 | Collector Assembly with Lead | S.3377 | Smoke Unit Retaining Spring |
| X.236 | Coupling Rod with Pins (L/H) | S.1006 | Bogie Securing Screw | S.4056 | Bogie Frame |
| X.237 | Coupling Rod with Pins (R/H) | S.1010 | Coupling Rod Screw | S.4098 | Flanged Bushed Driving Wheel |
| X.258 | Loco Bogie | S.1011 | Standard Screw | S.4099 | Flanged Unbushed Driving Wheel |
| X.259 | Pony Truck | S.1012 | Pony Truck Securing Screw | S.4100 | Flangeless Bushed Driving Wheel |
| X.261 | Cylinder Block | S.1077 | Cylinder Block Securing Screw | S.4115 | Pony Truck Frame |
| X.262 | Crosshead Assembly (L/H) | S.1090 | Body Securing Screw | S.4127 | Chassis Casting |
| X.263 | Crosshead Assembly (R/H) | S.2000 | Knurled Driving Axle | S.5065 | Insulating Bush |
| X.297 | T.V. Suppressor and Tag Washer | S.2001 | Plain Driving Axle | S.5226 | Eyelet |
| X.298 | Brush Lead and Clip | S.2002 | Double Splined Axle | S.5824 | Bogie Wheel |
| X.430 | Smoke Generator with Lead (without smoke pipe) | S.2014 | Distance Piece | S.5959 | Traction Magnet Type C |
| X.443 | Chassis Assembly (comprising S.2000, S.2021, S.4127, 2—S.5959) | S.2021 | Worm Wheel (40 Teeth) | S.5994 | Smoke Pipe |
| | | S.2129 | Plain Axle | S.6051 | Rolling Stock Wheel—Small |
| | | S.3026 | Bogie Link | | |
| | | S.3110 | 8 BA Washer | | |

For Motor see Servicing Sheet No. 1

Modifications are made to Tri-ang Railways models from time to time. If a spare part is required which does not coincide with the illustration, a full description should be given and, if necessary, a sketch or sample should accompany the order.

PRINTED IN ENGLAND



ROVEX SCALE MODELS LIMITED
WESTWOOD, MARGATE, KENT, ENGLAND
A Member of the Lines Bros. Group of Companies

SERVICING SHEET
No. 33
Issued August, 1962