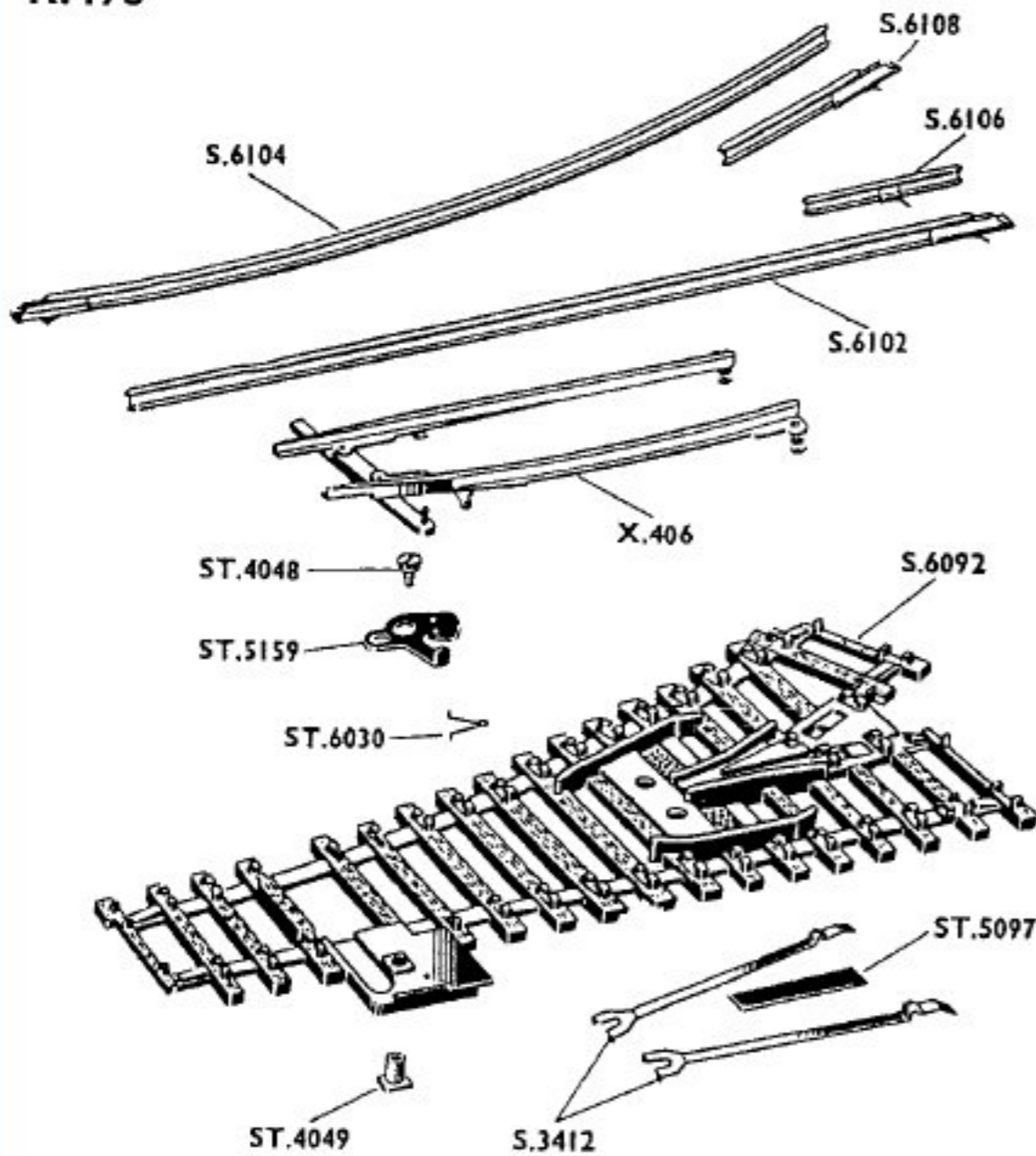
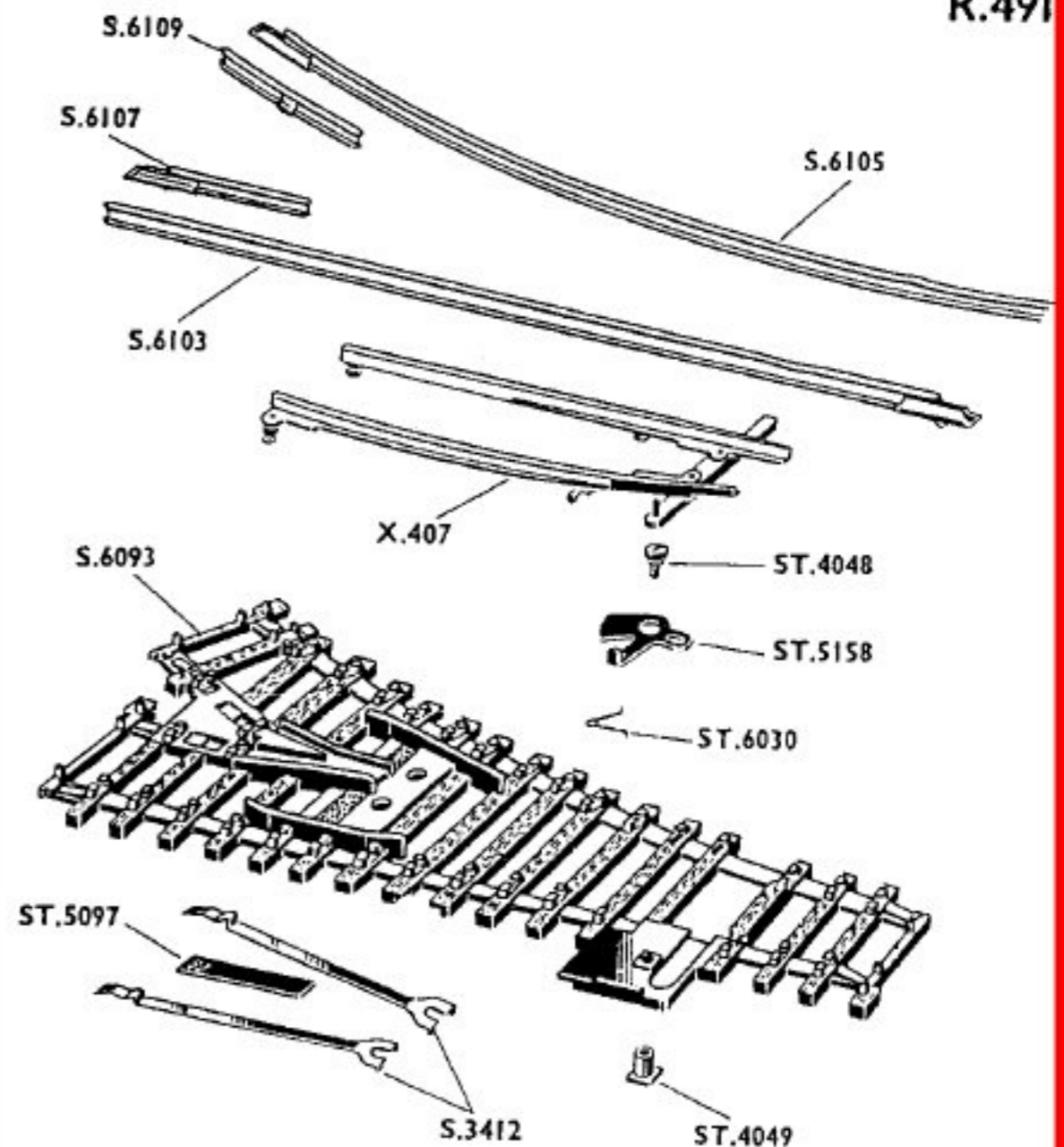


SUPER 4 POINTS—R.490, R.491 POINT MOTOR—X.404

R.490

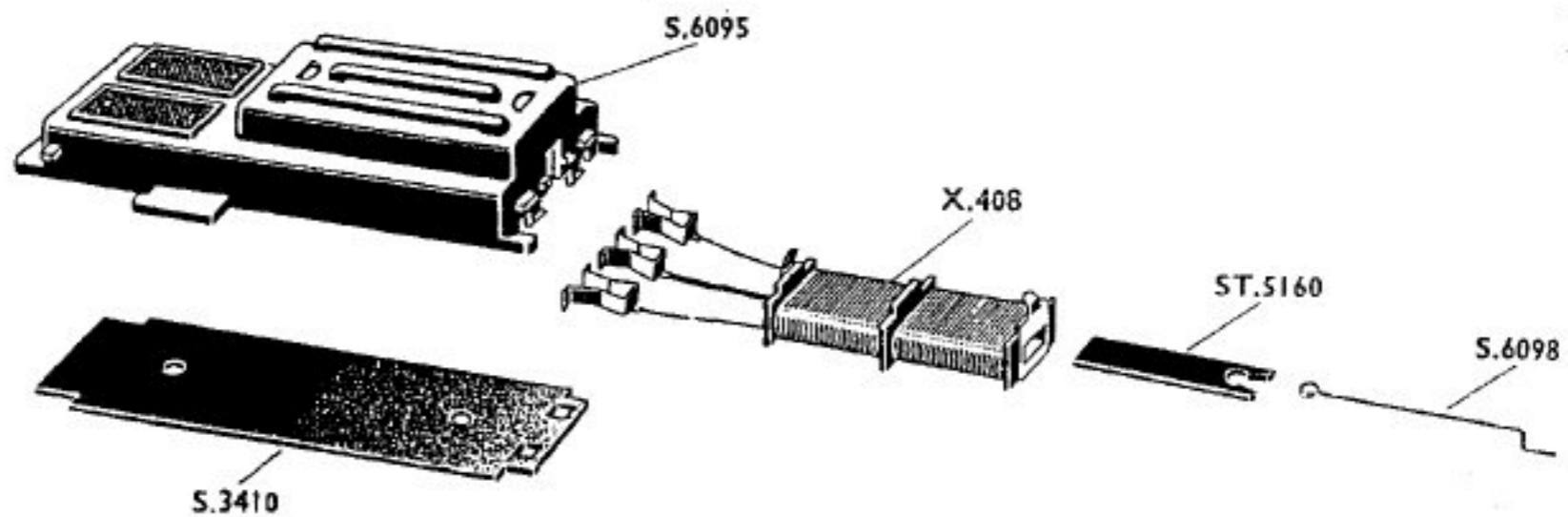


R.491



X.404

Super 4 Points R.490 and R.491 may be converted for electrical operation by the addition of X.404 point motors



X.404 Point Motor Complete
X.406 Blade Assembly (L/H)
X.407 Blade Assembly (R/H)
X.408 Solenoid Assembly
S.3410 Solenoid Base Plate
S.3412 Feed Strip
S.6092 Track Base (L/H)
S.6093 Track Base (R/H)

S.6095 Point Motor Cover
S.6098 Armature Link
S.6102 Rail Straight (L/H)
S.6103 Rail Straight (R/H)
S.6104 Rail Curved (L/H)
S.6105 Rail Curved (R/H)
S.6106 Rail Short Straight (L/H)
S.6107 Rail Short Straight (R/H)
S.6108 Rail Short Curved (L/H)

S.6109 Rail Short Curved (R/H)
ST.4048 Crank Lever Pivot Screw
ST.4049 Crank Lever Pivot Nut
ST.5097 Feed Strip Insulator
ST.5158 Crank Lever (R/H)
ST.5159 Crank Lever (L/H)
ST.5160 Armature
ST.6030 Locking Spring

Modifications are made to Tri-ang Railways models from time to time. If a spare part is required which does not coincide with the illustration, a full description should be given and, if necessary, a sketch or sample should accompany the order.

PRINTED IN ENGLAND



ROVEX SCALE MODELS LIMITED
WESTWOOD, MARGATE, KENT, ENGLAND
A Member of the Lines Bros. Group of Companies

SERVICING SHEET

No. 34

Issued August, 1962