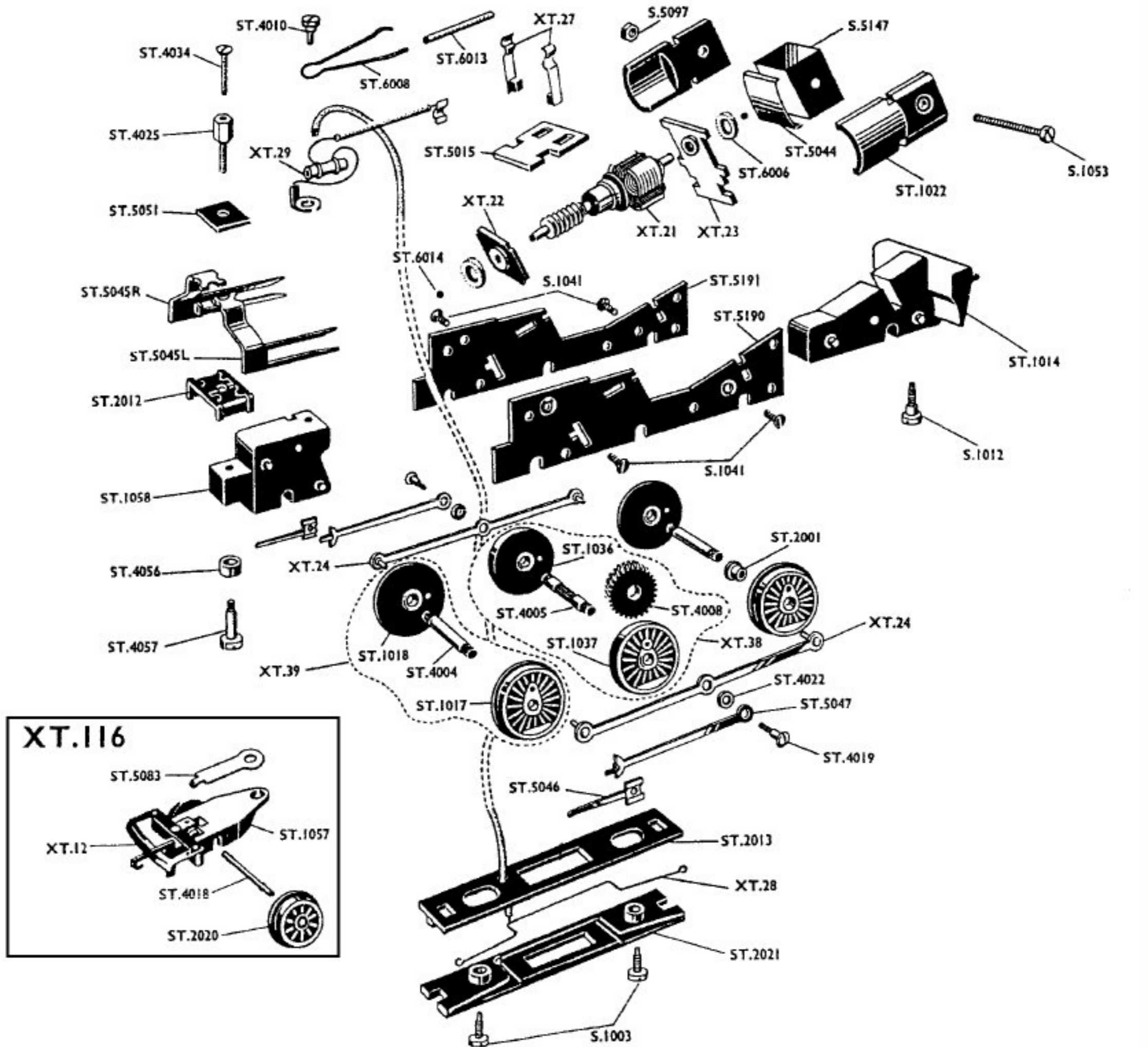


CHASSIS & PONY TRUCK-T.99



- XT.12** Coupling Unit
- XT.21** Armature Assembly with Commutator and Worm
- XT.22** Front Plate and Bearing
- XT.23** Rear Plate and Bearing
- XT.24** Coupling Rod
- XT.27** Brush Arm and Brush
- XT.28** Collector Arm with Lead
- XT.29** T.V. Suppressor with Lead and Brush Clip
- XT.38** Centre Axle Assembly (comprising ST.1036, ST.1037, ST.4005, ST.4008)
- XT.39** Front and Rear Axle Assembly (comprising ST.1017, ST.1018, ST.4004)
- XT.116** Locomotive Pony Truck
- ST.1014** Rear Weight
- ST.1017** Flanged Bushed Driving Wheel
- ST.1018** Flanged Unbushed Driving Wheel
- ST.1022** Pole Piece

- ST.1036** Flangeless Unbushed Driving Wheel
- ST.1037** Flangeless Bushed Driving Wheel
- ST.1057** Pony Truck Frame (XT.116)
- ST.1058** Front Weight
- ST.2001** Wheel Insulating Bush
- ST.2012** Collector Diaphragm
- ST.2013** Collector Backing Plate
- ST.2020** Locomotive Bogie Wheel
- ST.2021** Slide Bar Mounting
- ST.4004** Locomotive Axle—plain
- ST.4005** Locomotive Axle with Centre Knurl
- ST.4008** Worm Wheel (26T)
- ST.4010** Brush Gear Screw
- ST.4018** Locomotive Bogie Axle
- ST.4019** Coupling Rod Screw
- ST.4022** Connecting Rod Spacer
- ST.4025** Body/Chassis Securing Stud
- ST.4034** Body/Chassis Securing Screw

- ST.4056** Front Pony Truck Spacer
- ST.4057** Front Pony Truck Screw
- ST.5015** Brush Gear Diaphragm
- ST.5044** Rear Bearing Spring
- ST.5045L** Slide Bar (L/H)
- ST.5045R** Slide Bar (R/H)
- ST.5046** Crosshead
- ST.5047** Connecting Rod
- ST.5051** Slide Bar Top Plate
- ST.5083** Pony Truck Spring
- ST.5190** Main Frame (L/H)
- ST.5191** Main Frame (R/H)
- ST.6006** Bearing Felt
- ST.6008** Brush Spring
- ST.6013** Insulating Sleeve
- ST.6014** Thrust Ball ($\frac{1}{8}$ ")
- S.1003** Collector Securing Screw
- S.1012** Rear Pony Truck Screw
- S.1041** Main Frame Screw
- S.1053** Magnet Screw
- S.5097** Magnet Nut
- S.5147** Magnet

PRINTED IN ENGLAND



ROVEX SCALE MODELS LIMITED
 WESTWOOD, MARGATE, KENT, ENGLAND
 A Member of the Lines Bros. Group of Companies

SERVICING SHEET
 No. 35
 Issued August, 1962