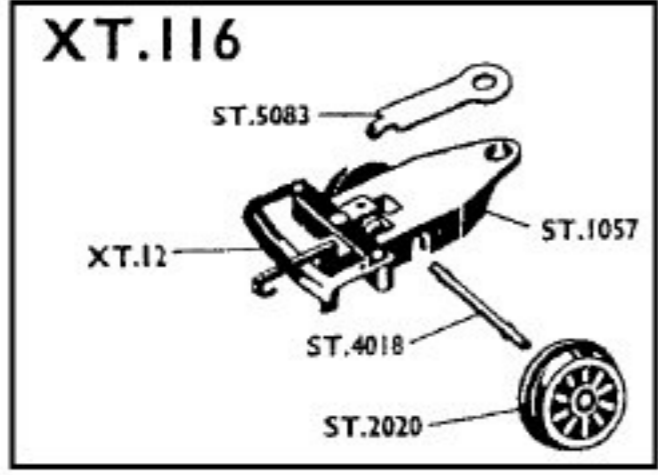
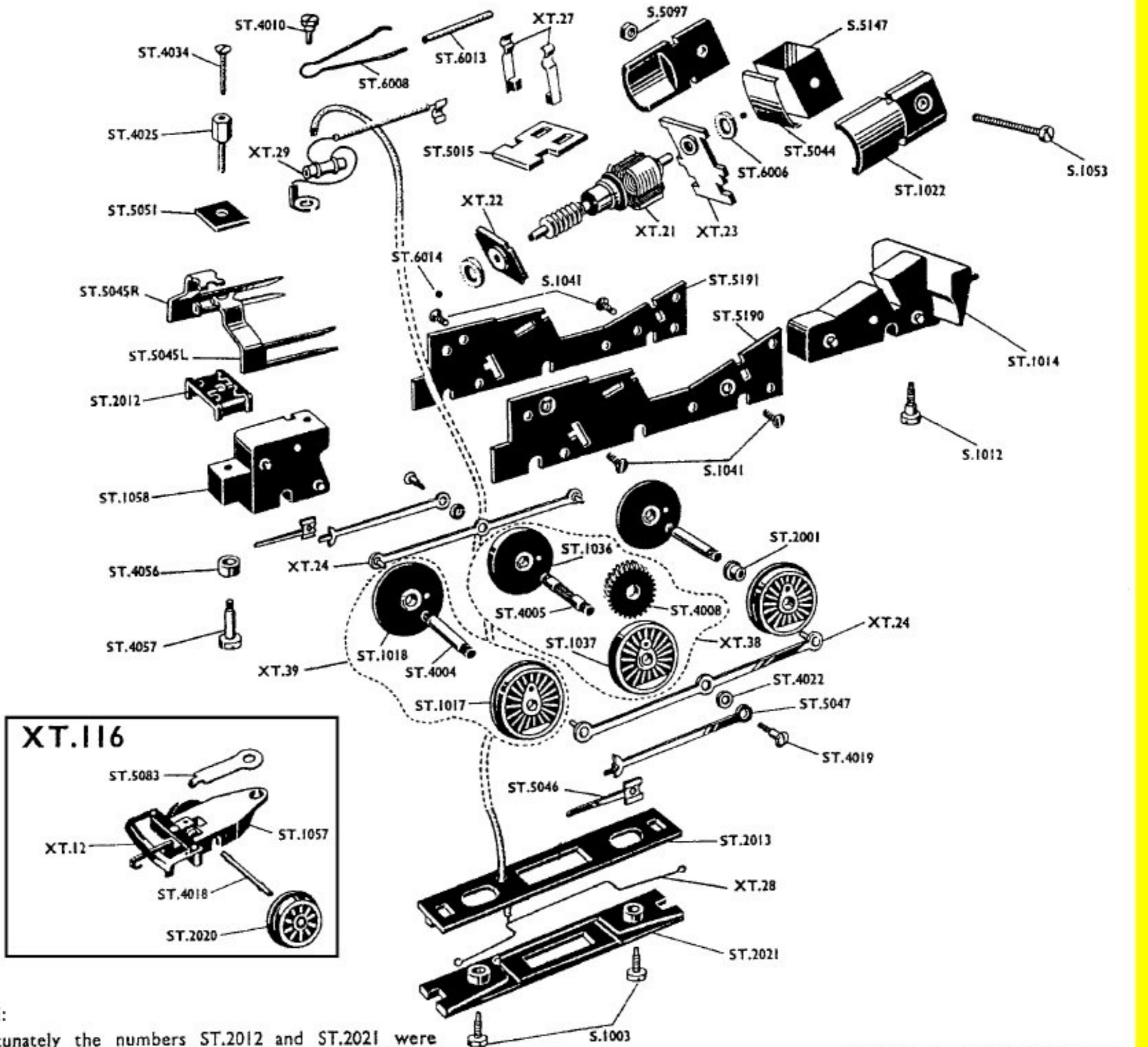


CHASSIS & PONY TRUCK—T.99



NOTE:

Unfortunately the numbers ST.2012 and ST.2021 were inadvertently transposed on the illustration in Servicing Sheet No. 35. The correct numbers as given in the list of components should be substituted.

SERVICING SHEET No. 35

Addendum 1st January, 1964

T.99 Locomotives manufactured after this date have open-spoked, steel-tired driving wheels and a modified collector arm.

As a result of these modifications, the following changes in numbering apply:—

AMENDMENTS TO PART NUMBERS

- XT.121 Collector Arm with Lead—replaces XT.28.
- XT.127 Front and Rear Axle Assembly—replaces XT.39.
- XT.141 Flanged Bushed Driving Wheel—replaces ST.1017.
- XT.142 Flanged Unbushed Driving Wheel—replaces ST.1018.
- XT.143 Centre Axle Assembly—replaces XT.38.
- ST.1066 Flangeless Bushed Driving Wheel—replaces ST.1036 and ST.1037.

- geless Unbushed Driving wheel
- geless Bushed Driving wheel
- y Truck Frame (XT.116)
- nt Weight
- eel Insulating Bush
- lector Diaphragm
- lector Backing Plate
- omotive Bogie Wheel
- e Bar Mounting
- omotive Axle—plain
- omotive Axle with Centre Drive
- rm Wheel (26T)
- ish Gear Screw
- omotive Bogie Axle
- pling Rod Screw
- nnecting Rod Spacer
- ly/Chassis Securing Stud
- ly/Chassis Securing Screw

- ST.4056 Front Pony Truck Spacer
- ST.4057 Front Pony Truck Screw
- ST.5015 Brush Gear Diaphragm
- ST.5044 Rear Bearing Spring
- ST.5045L Slide Bar (L/H)
- ST.5045R Slide Bar (R/H)
- ST.5046 Crosshead
- ST.5047 Connecting Rod
- ST.5051 Slide Bar Top Plate
- ST.5083 Pony Truck Spring
- ST.5190 Main Frame (L/H)
- ST.5191 Main Frame (R/H)
- ST.6006 Bearing Felt
- ST.6008 Brush Spring
- ST.6013 Insulating Sleeve
- ST.6014 Thrust Ball (1/8")
- S.1003 Collector Securing Screw
- S.1012 Rear Pony Truck Screw
- S.1041 Main Frame Screw
- S.1053 Magnet Screw
- S.5097 Magnet Nut
- S.5147 Magnet

From time to time. If a spare part is required which does not coincide in and, if necessary, a sketch or sample should accompany the order.

PRINTED IN ENGLAND



ROVEX SCALE MODELS LIMITED
 WESTWOOD, MARGATE, KENT, ENGLAND
A Member of the Lines Bros. Group of Companies

SERVICING SHEET
No. 35a
Issued January, 1964