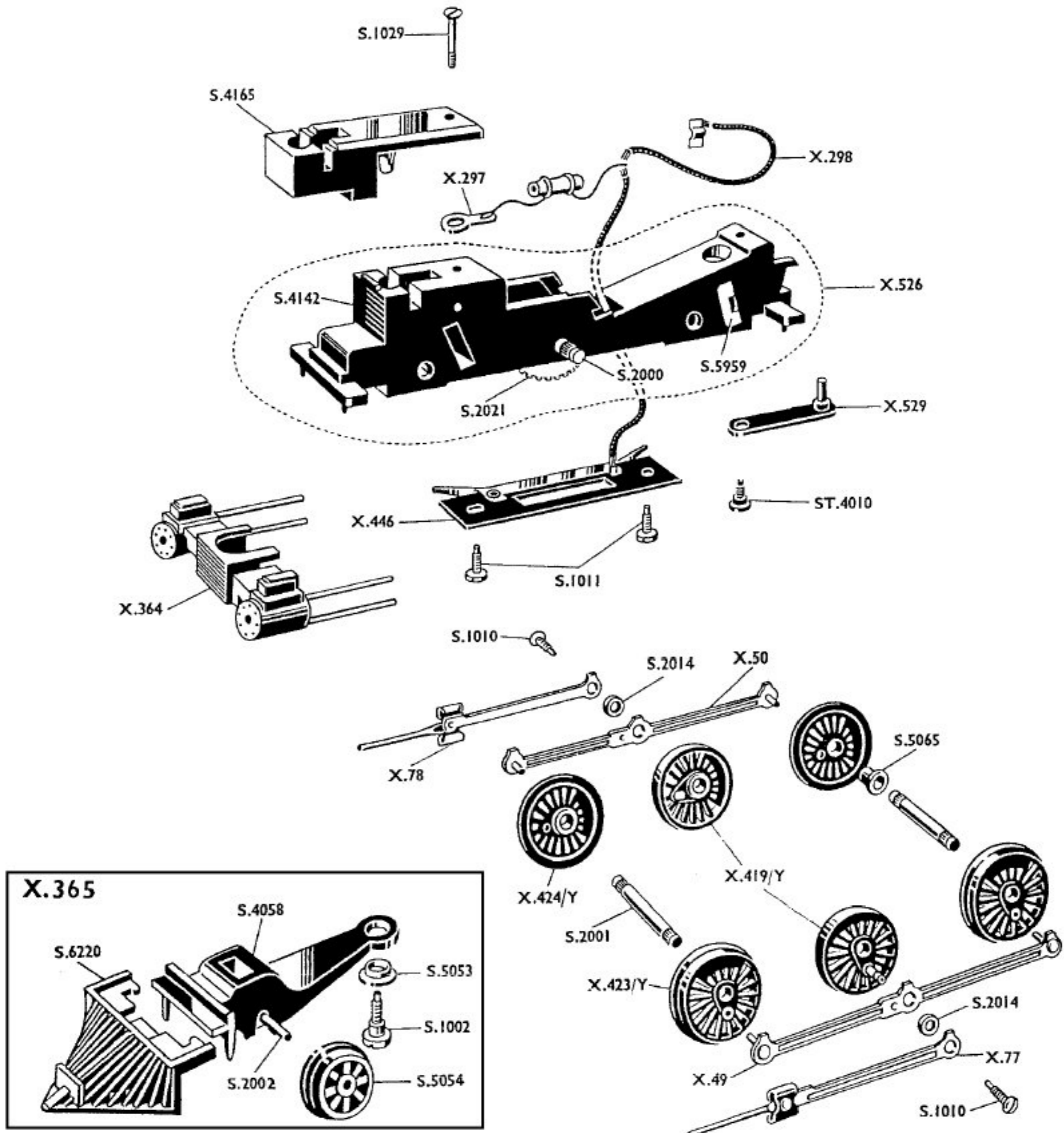


CHASSIS & PONY TRUCK—R.358

Introduced August, 1962



- X.49 Coupling Rod with Pins (L/H)
- X.50 Coupling Rod with Pins (R/H)
- X.77 Crosshead Assembly (L/H)
- X.78 Crosshead Assembly (R/H)
- X.297 T.V. Suppressor and Tag Washer
- X.298 Brush Lead and Clip
- X.364 Cylinder Block and Guide Rods
- X.365 Pony Truck Complete
- X.419/Y Flangeless Bushed Driving Wheel
- X.423/Y Flanged Unbushed Driving Wheel

- X.424/Y Flanged Bushed Driving Wheel
- X.446 Collector Assembly with Lead
- X.526 Chassis Assembly (comprising S.2000, S.2021, S.4142, S.5959)
- X.529 Drawbar
- S.1002 Pony Truck Securing Screw
- S.1010 Coupling Rod Screw
- S.1011 Collector Securing Screw
- S.1029 Body Securing Screw
- S.2000 Knurled Driving Axle
- S.2001 Plain Driving Axle

- S.2002 Double Splined Axle
- S.2014 Distance Piece
- S.2021 Worm Wheel (40 Teeth)
- S.4058 Pony Truck Frame
- S.4142 Chassis Casting
- S.4165 Smoke Unit Support
- S.5053 Pony Truck Insulating Bush
- S.5054 Locomotive Bogie Wheel
- S.5065 Wheel Insulating Bush
- S.5959 Traction Magnet Type C
- S.6220 Pilot
- ST.4010 Drawbar Screw

For Motor see Servicing Sheet No. 1.

PRINTED IN ENGLAND Modifications are made to Tri-ang Railways models from time to time. If a spare part is required which does not coincide with the illustration, a full description should be given and, if necessary, a sketch or sample should accompany the order.



ROVEX SCALE MODELS LIMITED
 WESTWOOD, MARGATE, KENT, ENGLAND
 A Member of the Lines Bros. Group of Companies

SERVICING SHEET
 No. 36
 Issued August, 1963