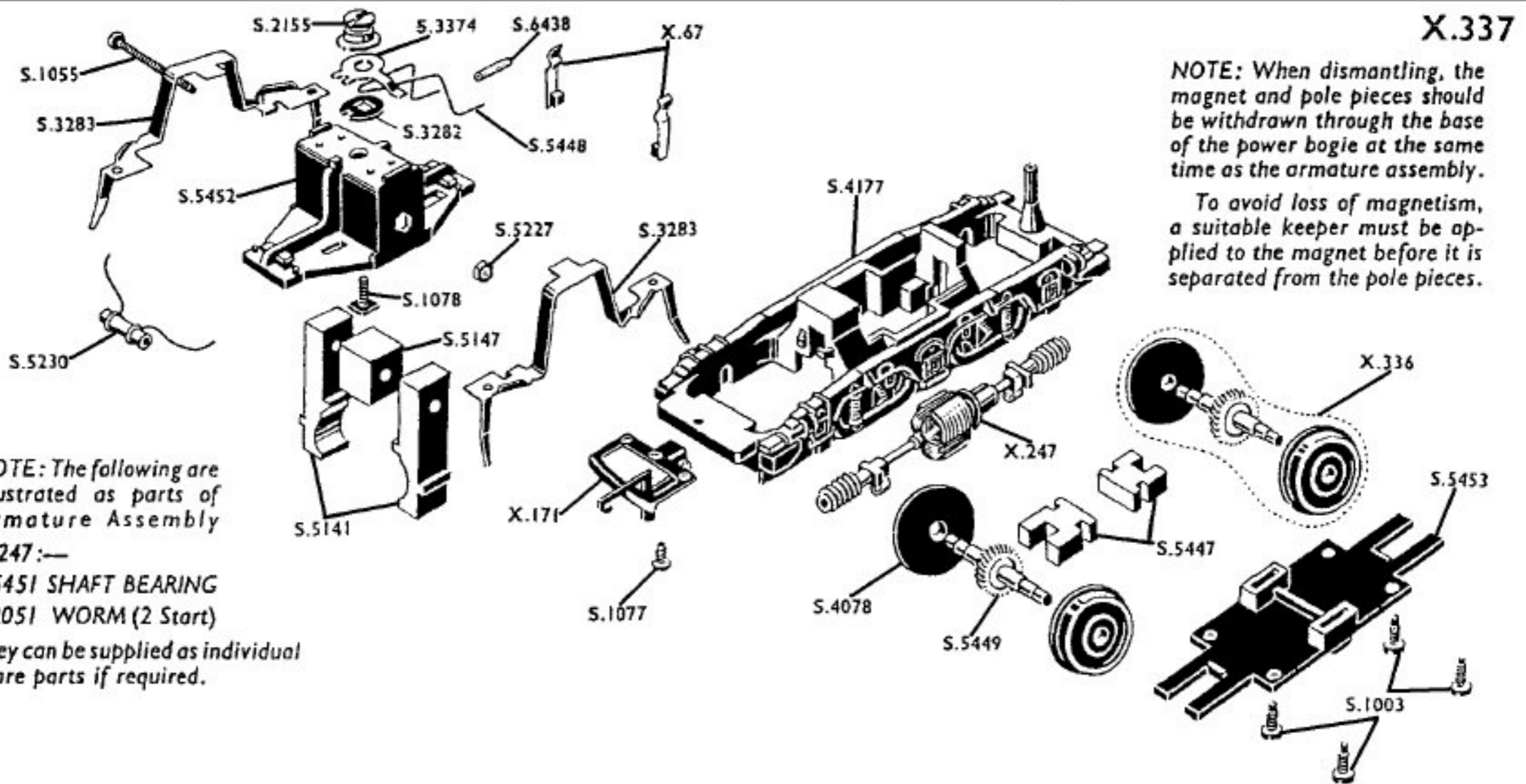
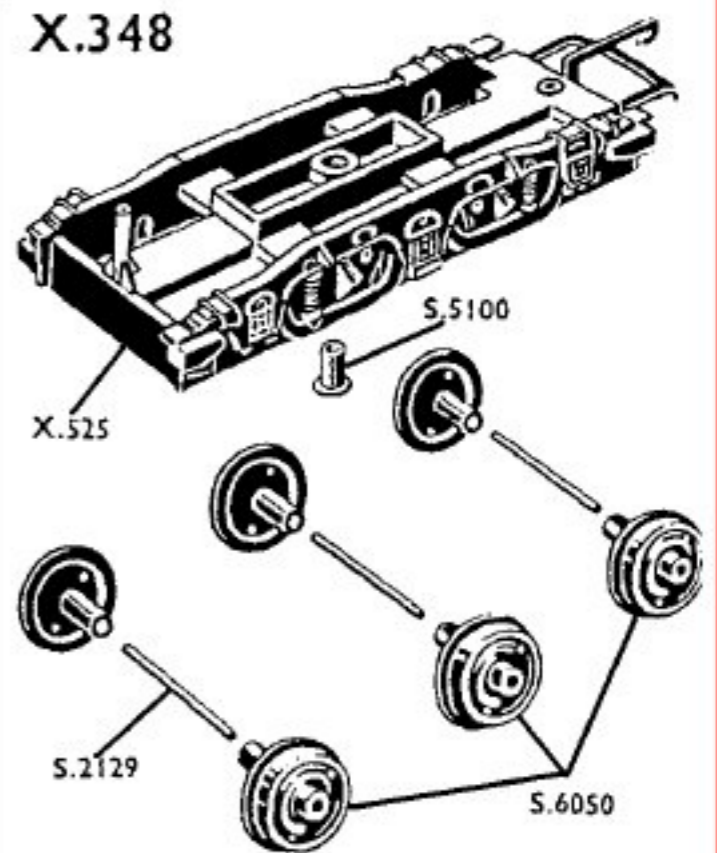
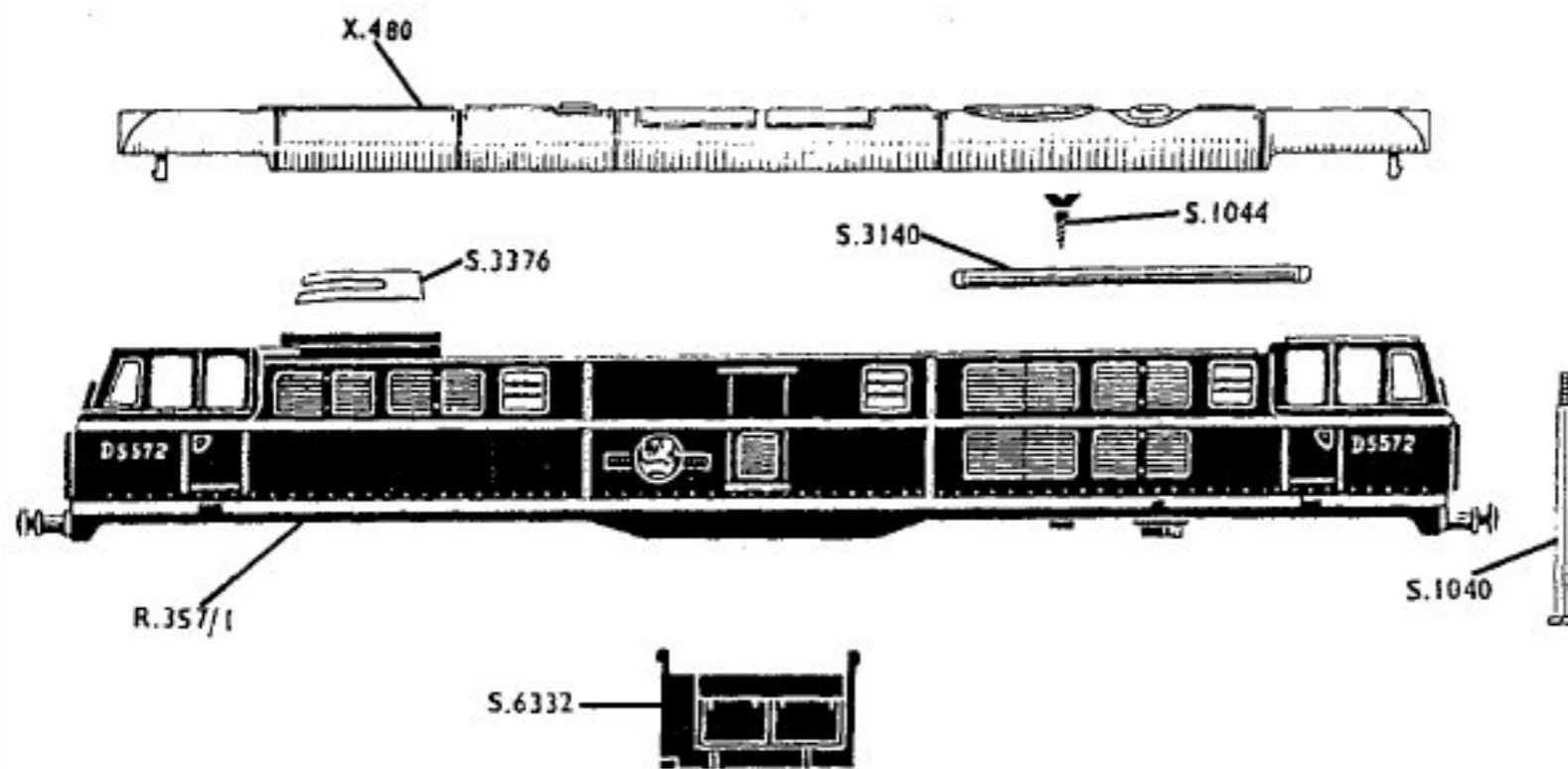


LOCOMOTIVE—R.357

Introduced December, 1962



NOTE: The following are illustrated as parts of Armature Assembly
X.247—
S.5451 SHAFT BEARING
S.2051 WORM (2 Start)
 They can be supplied as individual spare parts if required.

NOTE: When dismantling, the magnet and pole pieces should be withdrawn through the base of the power bogie at the same time as the armature assembly.
 To avoid loss of magnetism, a suitable keeper must be applied to the magnet before it is separated from the pole pieces.

R.357/1	Body Complete with Windows and Buffers	S.1040	Roof Screw	S.5100	Bogie Eyelet
X.67	Brush Arm and Brush	S.1044	Weight Screw	S.5141	Pole Piece
X.171	Mk. 3 Coupling Unit	S.1055	Magnet Screw	S.5147	Magnet
X.247	Armature Assembly (including Commutator, Worms and Bearings).	S.1077	Coupling Screw ($\frac{1}{8}$ ")	S.5227	Magnet Screw Nut
X.336	Axle Assembly	S.1078	Pivot Screw	S.5230	Capacitor
X.337	Power Bogie	S.2129	Non-powered Bogie Axle	S.5447	Traction Magnet Type 'B'
X.348	Non-powered Bogie	S.2155	Pivot Nut	S.5448	Brush Spring
X.480	Roof	S.3140	Weight	S.5449	Worm Wheel and Axle
X.525	Non-powered Bogie Frame Assembly	S.3282	Insulating Washer	S.5452	Top Housing
S.1003	Keeper Plate Screw	S.3283	Collector Unit	S.5453	Keeper Plate
		S.3374	Top Housing Contact Washer	S.6050	Wheel for Non-powered Bogie
		S.3376	Power Bogie Retaining Clip	S.6332	Underframe
		S.4078	Wheel for Power Bogie	S.6438	Insulating Sleeve
		S.4177	Power Bogie Main Frame		

Modifications are made to Tri-ang Railways models from time to time. If a spare part is required which does not coincide with the illustration, a full description should be given and, if necessary, a sketch or sample should accompany the order.

PRINTED IN ENGLAND



ROVEX SCALE MODELS LIMITED
 WESTWOOD, MARGATE, KENT, ENGLAND
 A Member of the Lines Bros. Group of Companies

SERVICING SHEET
 No. 37
 Issued August, 1963