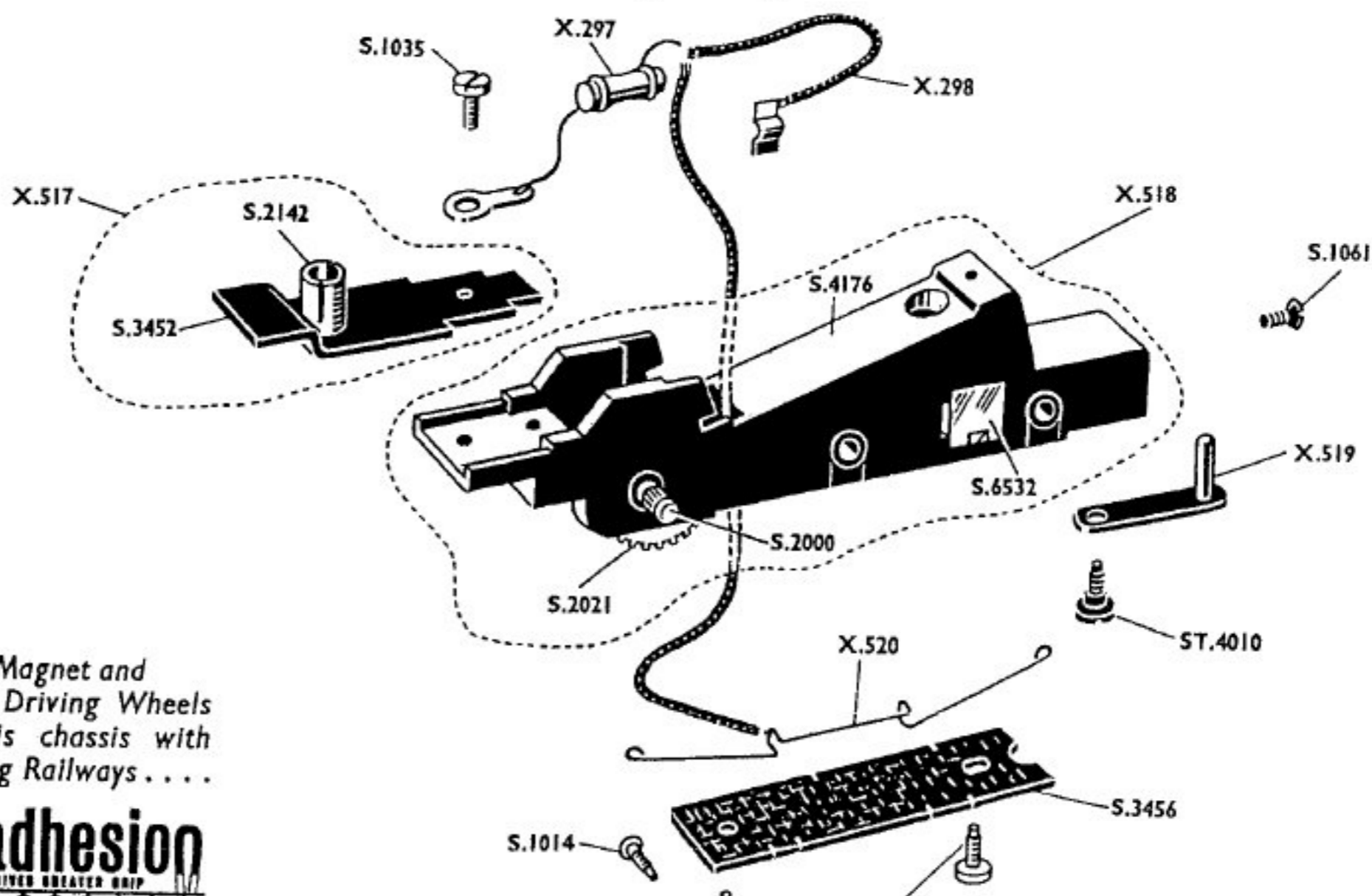


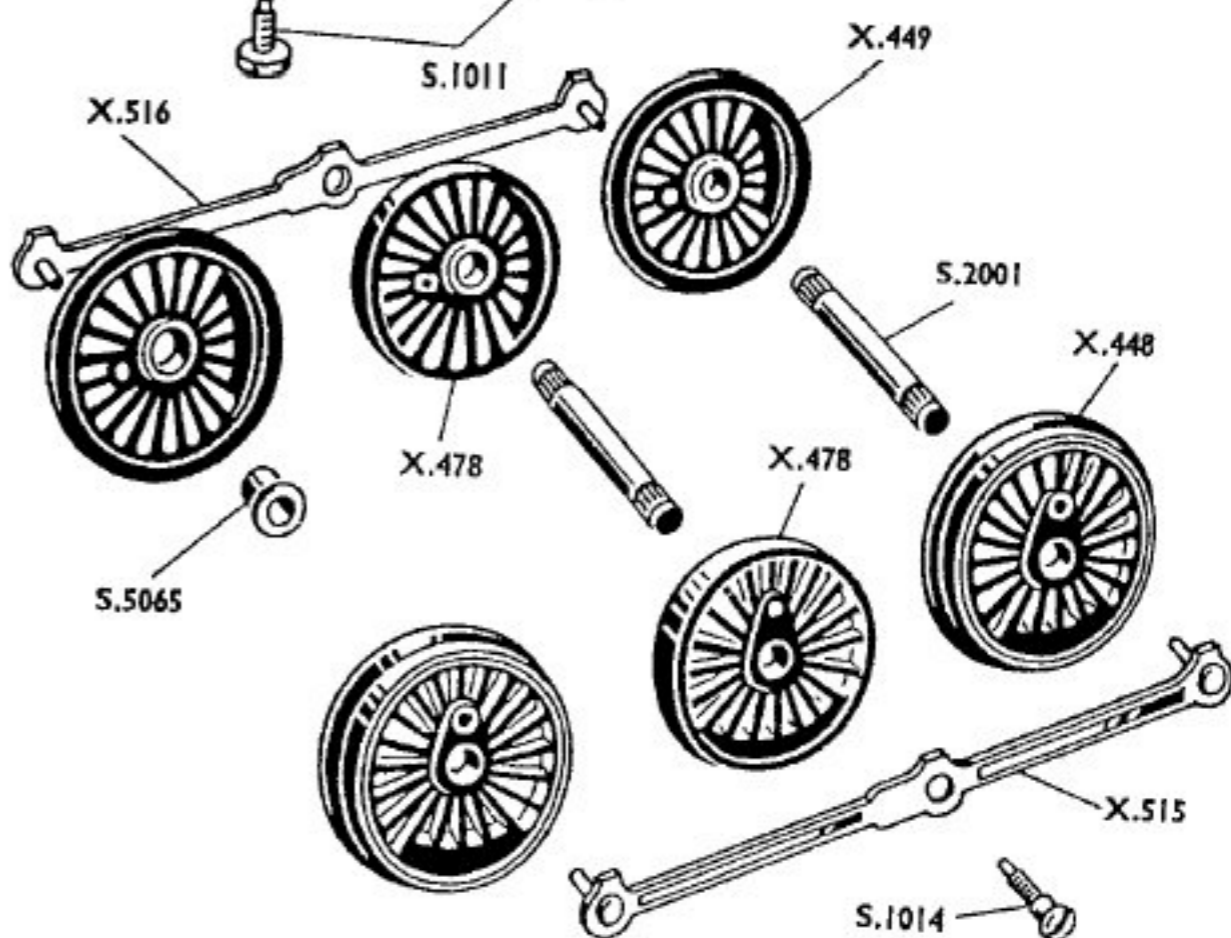
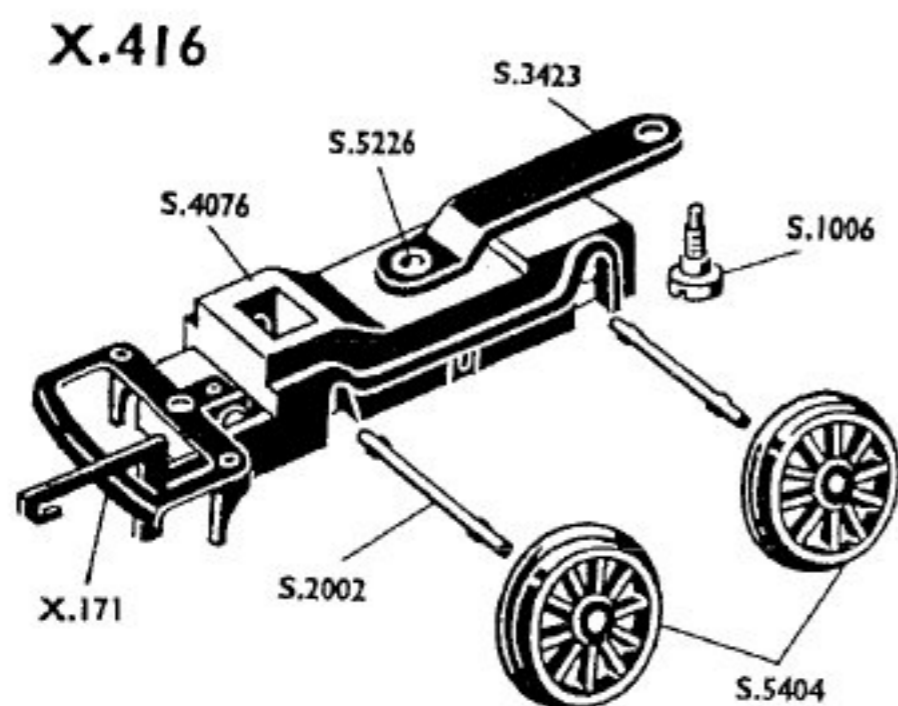
CHASSIS & BOGIE—R.150

Introduced January, 1963



NOTE:

A Traction Magnet and Steel-tyred Driving Wheels provide this chassis with Tri-ang Railways . . .



- X.171 Mk. 3 Coupling Unit
- X.297 T.V. Suppressor and Tag Washer
- X.298 Brush Lead and Clip
- X.416 Loco Bogie
- X.448 Flanged Unbushed Driving Wheel
- X.449 Flanged Bushed Driving Wheel
- X.478 Flangeless Bushed Driving Wheel
- X.515 Coupling Rod with Pins (L/H)
- X.516 Coupling Rod with Pins (R/H)

- X.517 Chassis Extension with Smoke Unit Holder
- X.518 Chassis Assembly (comprising S.2000, S.2021, S.4176, S.6532)
- X.519 Drawbar
- X.520 Collector Spring and Lead
- S.1006 Bogie Securing Screw
- S.1011 Collector Diaphragm Screw
- S.1014 Coupling Rod Screw
- S.1035 Chassis Extension Screw
- S.1061 Body Securing Screw
- S.2000 Knurled Driving Axle
- S.2001 Plain Driving Axle

- S.2002 Double Splined Axle
- S.2021 Worm Wheel (40 Teeth)
- S.2142 Smoke Unit Holder
- S.3423 Bogie Link
- S.3452 Chassis Extension
- S.3456 Collector Diaphragm
- S.4076 Bogie Frame
- S.4176 Chassis Casting
- S.5065 Insulating Bush
- S.5226 Eyelet
- S.5404 Loco Bogie Wheel
- S.6532 Traction Magnet
- ST.4010 Drawbar Screw

For Motor see Servicing Sheet No. 1.

Modifications are made to Tri-ang Railways models from time to time. If a spare part is required which does not coincide with the illustration, a full description should be given and, if necessary, a sketch or sample should accompany the order.

PRINTED IN ENGLAND



ROVEX SCALE MODELS LIMITED
WESTWOOD, MARGATE, KENT, ENGLAND
A Member of the Lines Bros. Group of Companies

SERVICING SHEET
No. 38
Issued August, 1963