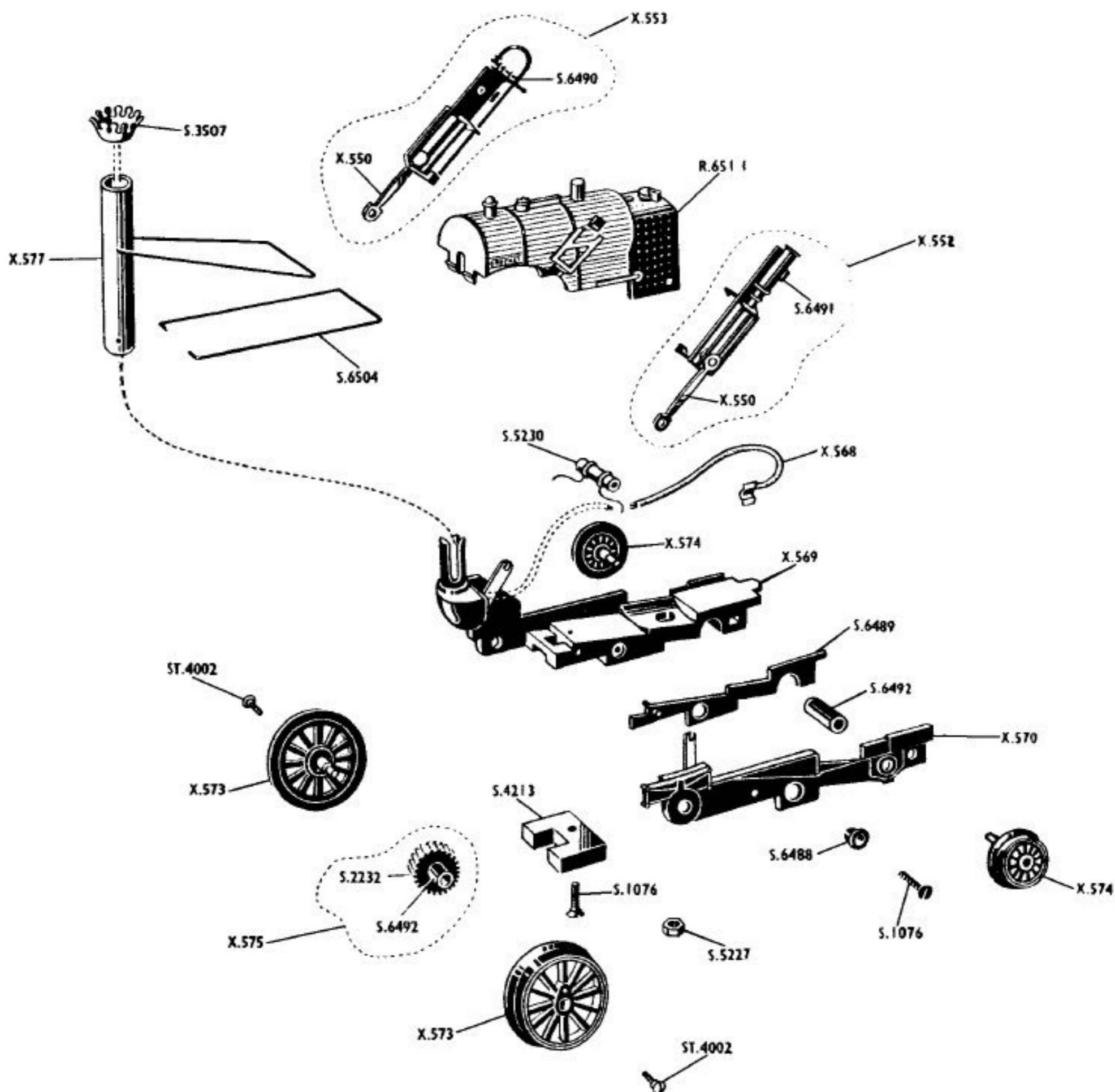


## “ROCKET” LOCOMOTIVE – R.65IS



- |                |                       |               |  |                |                      |
|----------------|-----------------------|---------------|--|----------------|----------------------|
| <b>R.651/1</b> | Body                  | <b>X.573</b>  | Driving Wheel                                      | <b>S.5230</b>  | Capacitor            |
| <b>X.550</b>   | Crosshead Assembly    | <b>X.574</b>  | Trailing Wheel                                     | <b>S.6488</b>  | Insulating Bush      |
| <b>X.552</b>   | L/H Cylinder Assembly | <b>X.575</b>  | Worm Wheel and Axle (comprising S.2232 and S.6492) | <b>S.6489</b>  | Chassis Insulator    |
| <b>X.553</b>   | R/H Cylinder Assembly | <b>X.577</b>  | Funnel and Stay                                    | <b>S.6490</b>  | Cylinder R/H         |
| <b>X.568</b>   | Brush Lead and Clip   | <b>S.1076</b> | Chassis and Magnet Screw                           | <b>S.6491</b>  | Cylinder L/H         |
| <b>X.569</b>   | Chassis Assembly      | <b>S.2232</b> | Worm Wheel (26 Teeth)                              | <b>S.6492</b>  | Axle                 |
| <b>X.570</b>   | Side Frame            | <b>S.3507</b> | Funnel Corona                                      | <b>S.6504</b>  | Regulator Pipe       |
|                |                       | <b>S.4213</b> | Traction Magnet                                    | <b>ST.4002</b> | Connecting Rod Screw |
|                |                       | <b>S.5227</b> | Motor Securing Nut                                 |                |                      |

For Motor X.500 see Servicing Sheet No. 41

Modifications are made to Tri-ang Railways models from time to time. If a spare part is required which does not coincide with the illustration, a full description should be given and, if necessary, a sketch or sample should accompany the order.

PRINTED IN ENGLAND



**ROVEX SCALE MODELS LIMITED**  
WESTWOOD, MARGATE, KENT, ENGLAND  
A Member of the Lines Bros. Group of Companies

**SERVICING SHEET**  
No. 40a  
Issued March, 1966