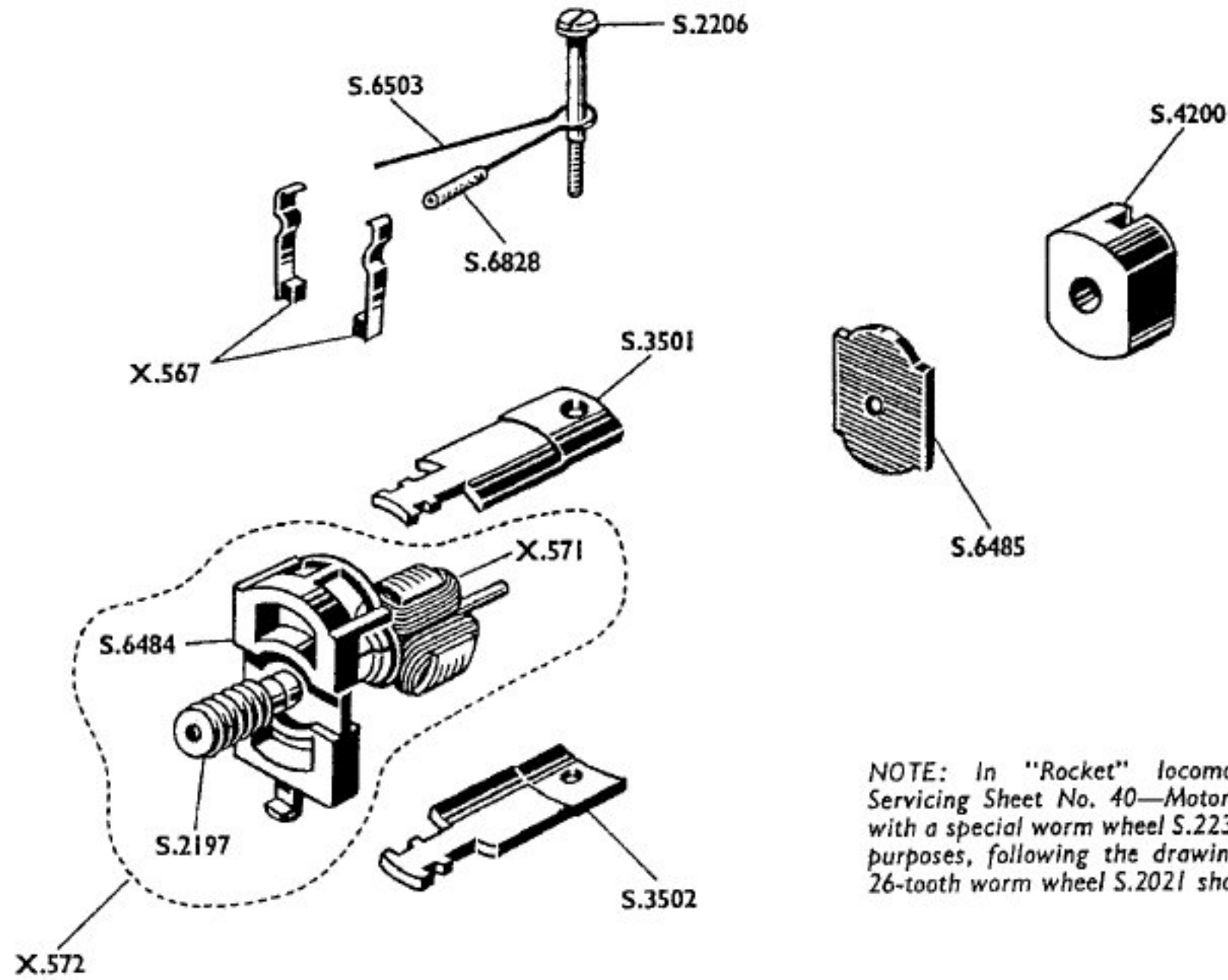
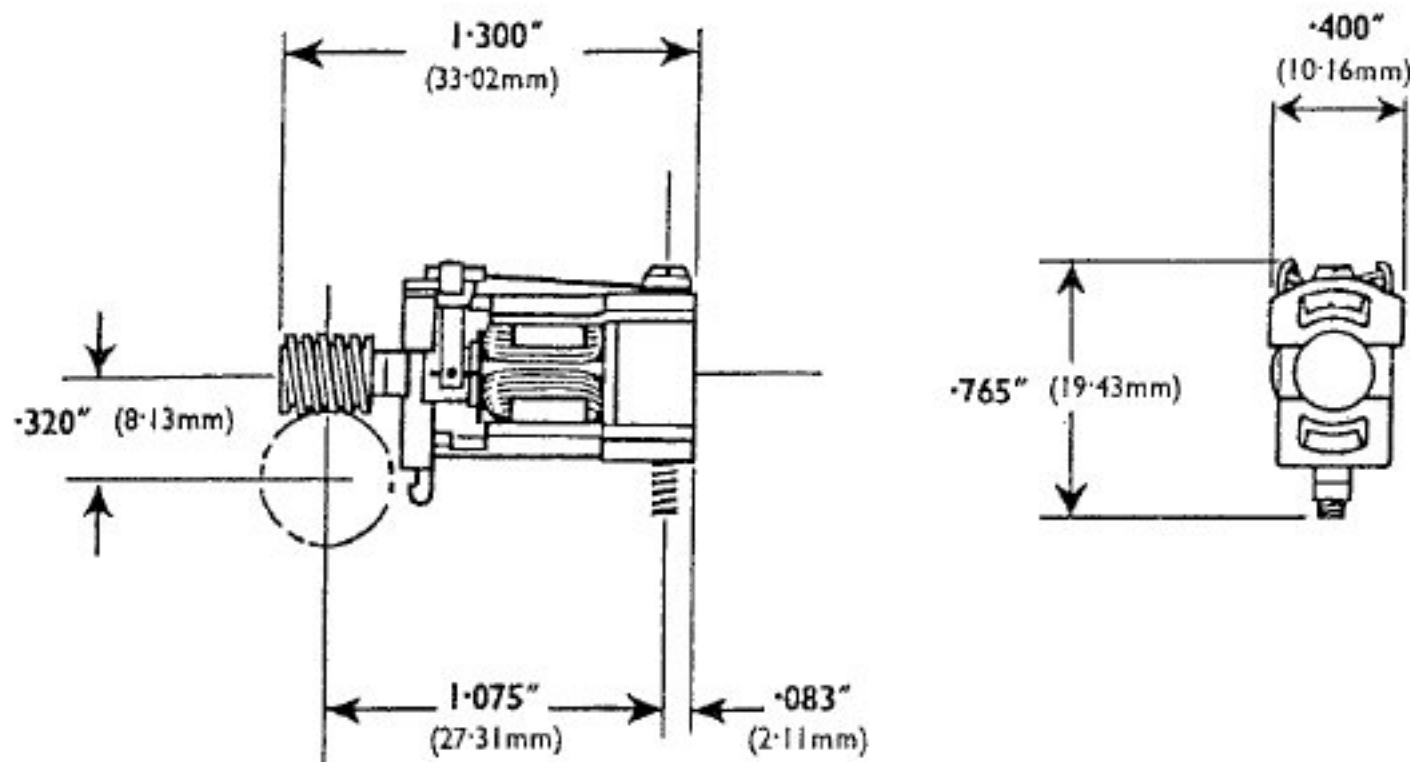


## MOTOR - X.500



NOTE: In "Rocket" locomotive R.6515—see Servicing Sheet No. 40—Motor X.500 is meshed with a special worm wheel S.2232. If used for other purposes, following the drawing below, standard 26-tooth worm wheel S.2021 should be used.

<b>X.500</b>	Complete Motor	<b>S.2197</b>	Two-start Worm	<b>S.4200</b>	Magnet
<b>X.567</b>	Brush Arm and Brush	<b>S.2206</b>	Magnet and Motor Securing Screw	<b>S.6484</b>	Front Plate
<b>X.571</b>	Armature and Commutator	<b>S.3501</b>	Top Pole Piece—clear hole	<b>S.6485</b>	Rear Bearing
<b>X.572</b>	Front Plate and Armature Assembly (Including Commutator and Worm)	<b>S.3502</b>	Bottom Pole Piece—tapped hole	<b>S.6503</b>	Brush Spring
				<b>S.6828</b>	Brush Insulating Sleeve



POLES .. .. .	3
SHAFT DIA. ..	.0620" (1.575 m.m.)
ARMATURE DIA. ..	.375" (9.53 m.m.)
CURRENT .. .. .	0.1 AMP
DRIVE .. .. .	TWO-START WORM
REDUCTION RATIO ..	13 to 1
MAGNET .. .. .	ALCOMAX III
BEARING .. .. .	DELTRIN
ARMATURE SPEED ..	20,000 r.p.m.

Modifications are made to Tri-ang Railways models from time to time. If a spare part is required which does not coincide with the illustration, a full description should be given and, if necessary, a sketch or sample should accompany the order.

PRINTED IN ENGLAND



**ROVEX SCALE MODELS LIMITED**  
**WESTWOOD, MARGATE, KENT, ENGLAND**  
*A Member of the Lines Bros. Group of Companies*

**SERVICING SHEET**  
**No. 41**  
 Issued December, 1964