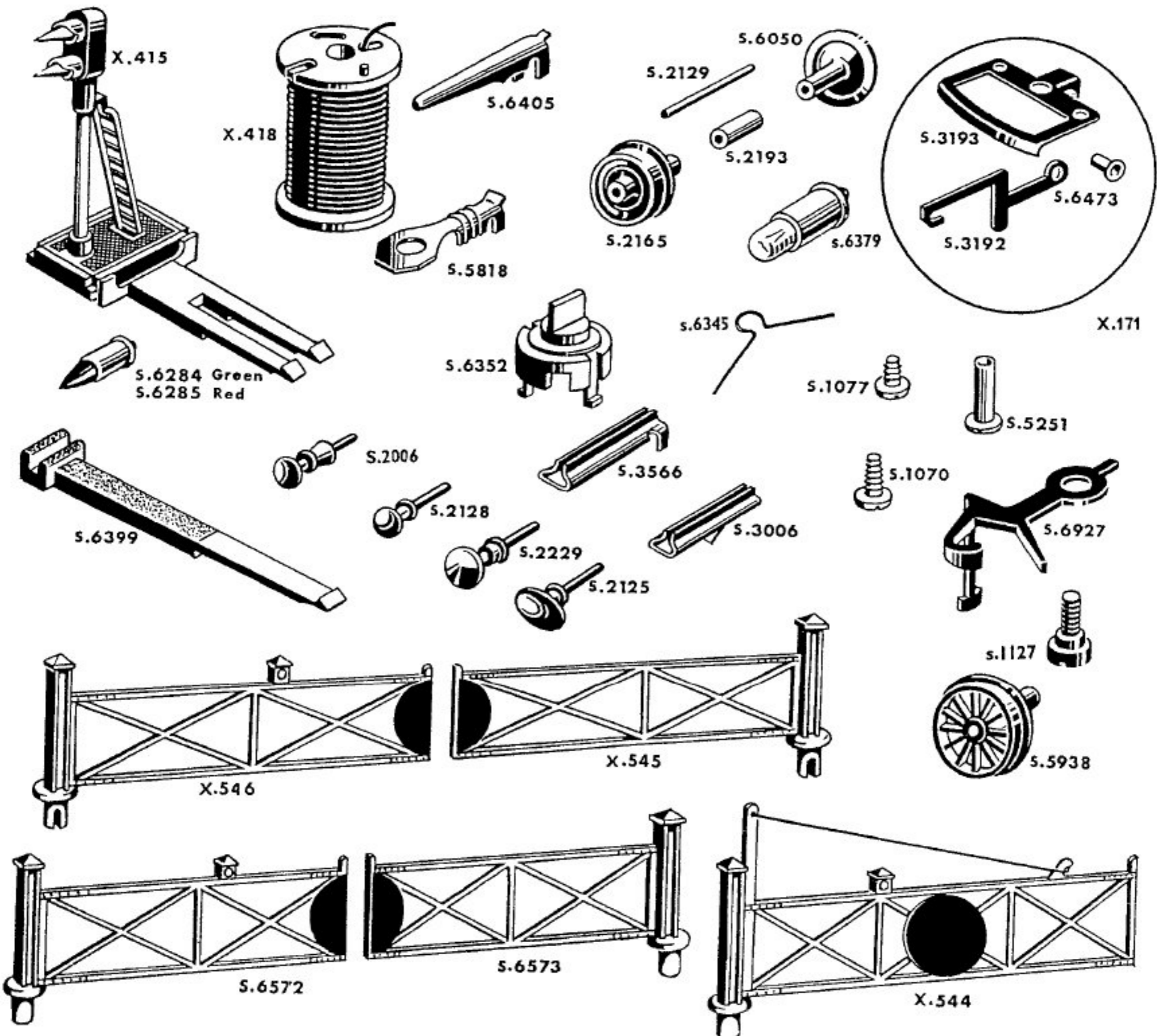


GENERAL SPARES-4



- | | | |
|---|---|--|
| X.415 2-Aspect Colour Light Signal | S.2129 Rolling Stock Axle Plain (Fitted to R.37, R.39, R.341, R.554, etc.) | S.6285 Signal Bulb—Red |
| X.418 Drum of Wire 6 yds. (Green, Black, Red or Brown) | S.2165 Metal Wheel for R.341 | S.6345 Collector Spring for R.341 |
| X.544 Gate for Level Crossing R.495 | S.2193 Brass Distance Piece for R.341 | S.6352 Bulb Retaining Clip for R.431 |
| X.545 R/H Gate for Level Crossing R.496 | S.2229 Large Round Headed Buffer | S.6379 15v. Bulb for R.341 and RT.266 |
| X.546 L/H Gate for Level Crossing R.496 | S.3006 Fishplate | S.6399 Clip Fit Base for R.299 Track-side Fencing |
| S.1070 Coupling Screw ($\frac{3}{16}$ " | S.3192 Coupling Hook (Mk. 3)—X.171 | S.6405 Pin Terminal |
| S.1077 Coupling Screw ($\frac{1}{8}$ " | S.3193 Coupling Bar (Mk. 3)—X.171 | S.6473 Coupling Assembly Eyelet (Mk. 3)—X.171 |
| S.1127 Hornby Dublo Coupling Screw (6BA $\times \frac{1}{4}$ " | S.3566 Fishplate (Type D) | S.6572 L/H Gate for Level Crossing R.414 |
| S.2006 Buffer | S.5251 Coupling Fixing Eyelet | S.6573 R/H Gate for Level Crossing R.414 |
| S.2125 Oval Headed Buffer | S.5818 Ring Terminal | S.6927 Hornby Dublo Coupling |
| S.2128 Buffer long shank | S.5938 Large Tender Wheel for R.37, R.39 and R.554 | |
| | S.6050 Rolling Stock Wheel Disc (two hole) | |
| | S.6284 Signal Bulb—Green | |

Modifications are made to Tri-ang Hornby models from time to time. If a spare part is required which does not coincide with the illustration, a full description should be given and, if necessary, a sketch or sample should accompany the order.

PRINTED IN ENGLAND

1966



ROVEX SCALE MODELS LIMITED
WESTWOOD, MARGATE, KENT, ENGLAND
A Member of the Lines Bros. Group of Companies

SERVICING SHEET
No. 43
Issued December, 1966