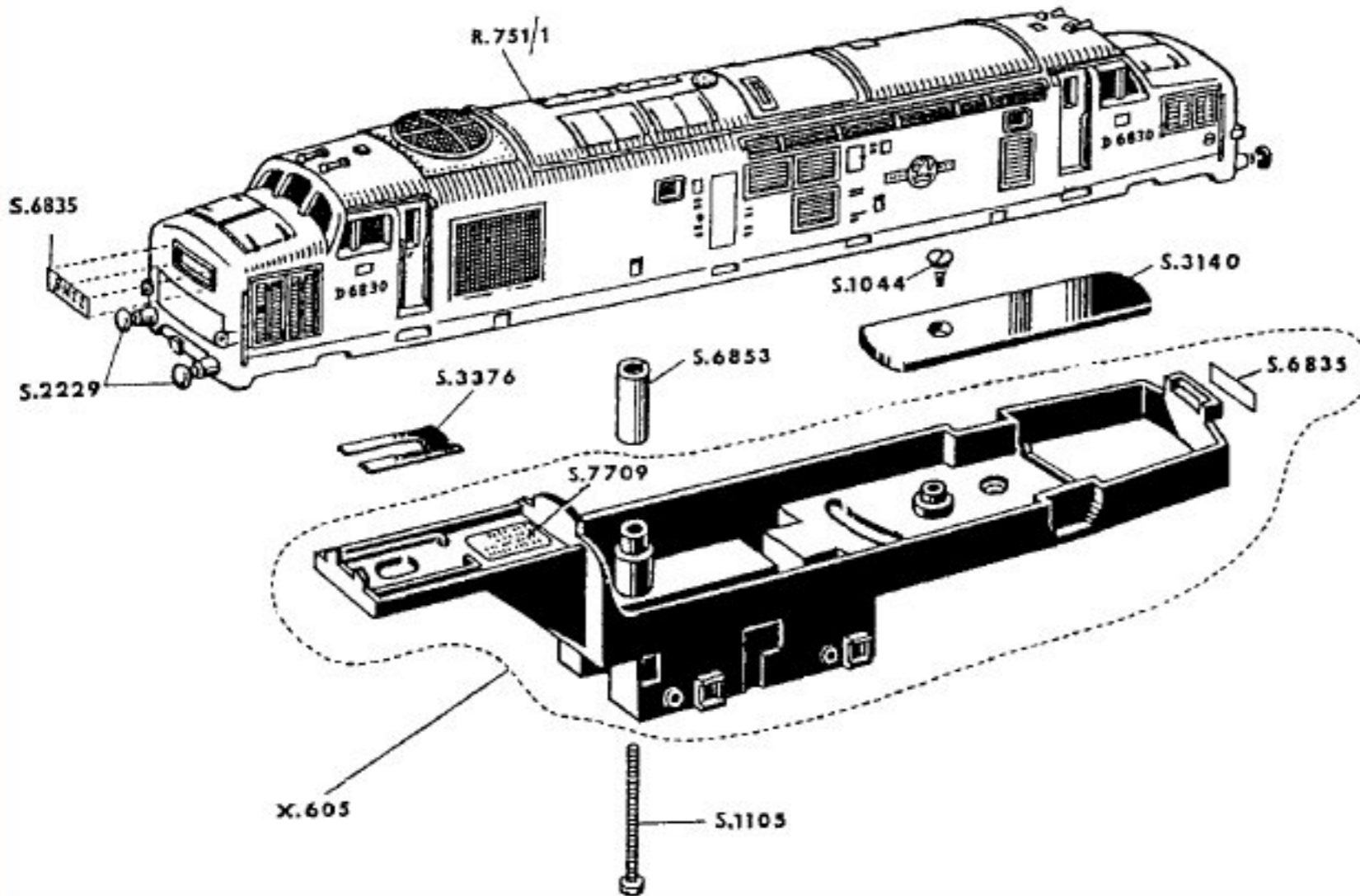
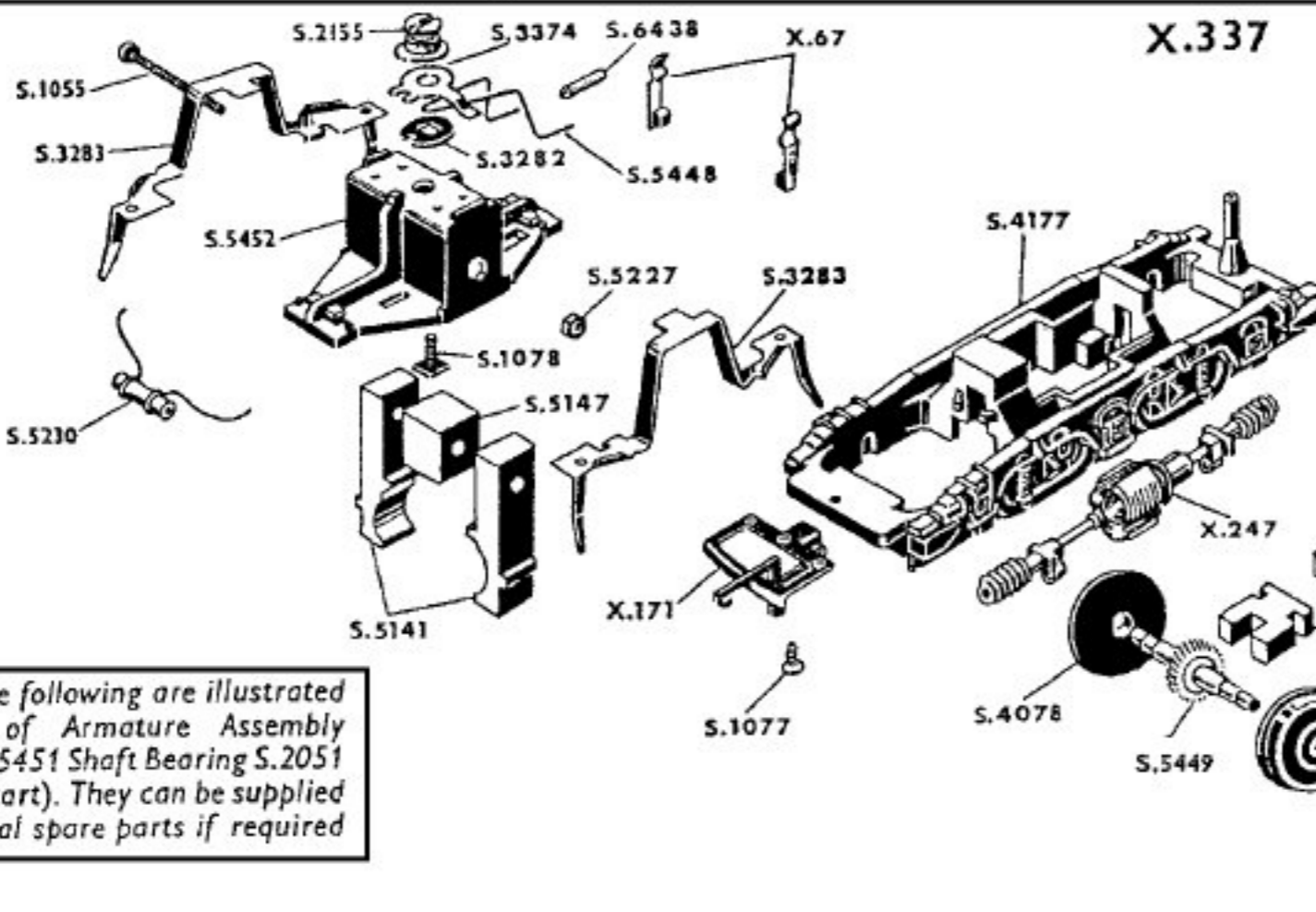
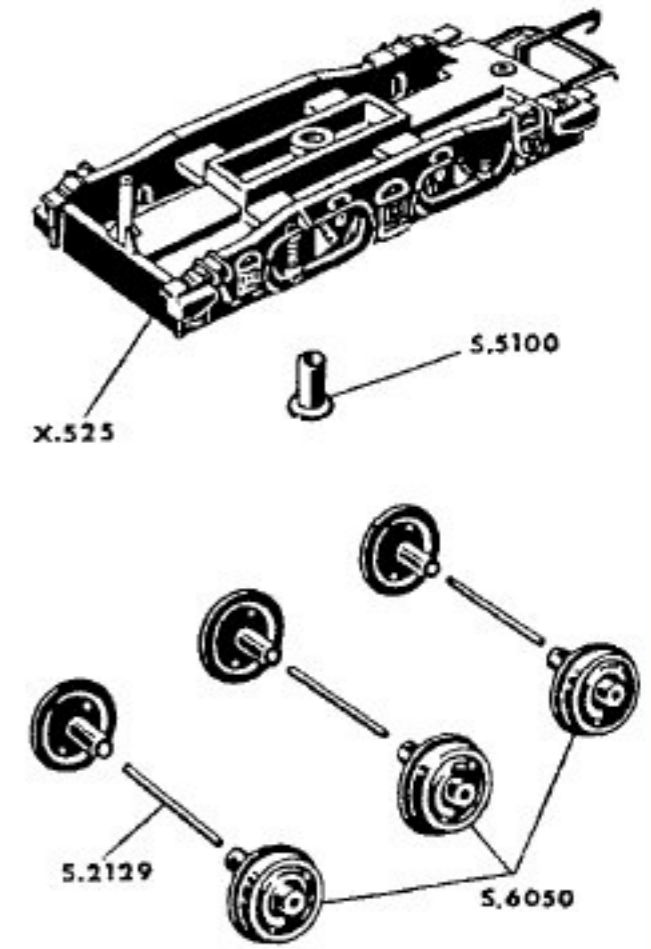


LOCOMOTIVE - R.751



X.348



NOTE: When dismantling, the magnet and pole pieces should be withdrawn through the base of the power bogie at the same time as the armature assembly. To avoid loss of magnetism, a suitable keeper must be applied to the magnet before it is separated from the pole pieces.

NOTE: The following are illustrated as parts of Armature Assembly X.247:—S.5451 Shaft Bearing S.2051 Worm (2 start). They can be supplied as individual spare parts if required

- | | | |
|---|--|---|
| R.751/1 Locomotive Body complete with Windows, Buffers and Route Label | S.1044 Weight Screw | S.5100 Bogie Eyelet |
| X.67 Brush Arm and Brush | S.1055 Magnet Screw | S.5141 Pole Piece |
| X.171 Mk. 3 Coupling Unit | S.1072 Keeper Plate Screw | S.5147 Magnet |
| X.247 Armature Assembly (including commutator, worms and bearings) | S.1077 Coupling Screw (1/8") | S.5227 Magnet Screw Nut |
| X.336 Axle Assembly | S.1078 Pivot Screw | S.5230 Capacitor |
| X.337 Power Bogie | S.1105 Body Securing Screw | S.5447 Traction Magnet Type B |
| X.348 Non-powered Bogie | S.2129 Non-powered Bogie Axle | S.5448 Brush Spring |
| X.525 Non-powered Bogie Frame Assembly | S.2155 Pivot Nut | S.5449 Worm Wheel and Axle |
| X.605 Chassis and Underframe Assembly complete with Route Label | S.2229 Large Round Headed Buffer | S.5452 Top Housing |
| | S.3140 Weight | S.5453 Keeper Plate |
| | S.3282 Insulating Washer | S.6050 Wheel for Non-powered Bogie |
| | S.3283 Collector Unit | S.6438 Insulating Sleeve |
| | S.3374 Top Housing Contact Washer | S.6835 Self-adhesive Route Label |
| | S.3376 Power Bogie Retaining Clip | S.6853 Brass Distance Piece |
| | S.4078 Wheel for Power Bogie | S.7709 Self-adhesive Instruction Label |
| | S.4177 Power Bogie Main Frame | |

Modifications are made to Tri-ang Hornby models from time to time. If a spare part is required which does not coincide with the illustration, a full description should be given and, if necessary, a sketch or sample should accompany the order.

