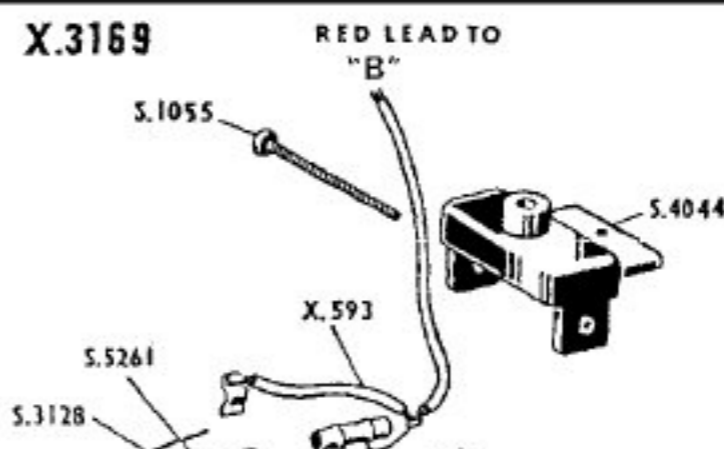
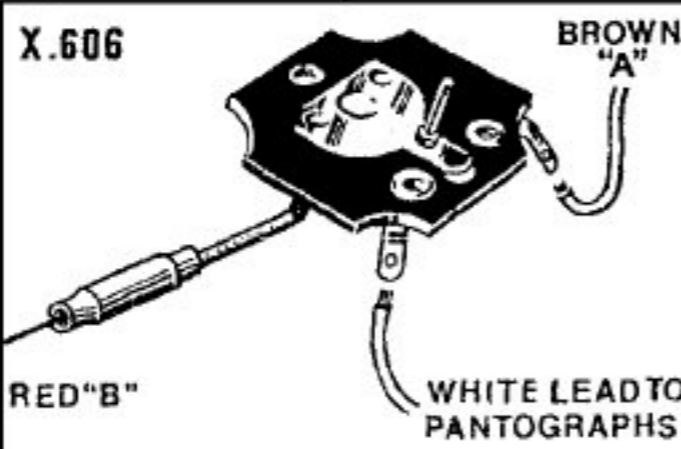
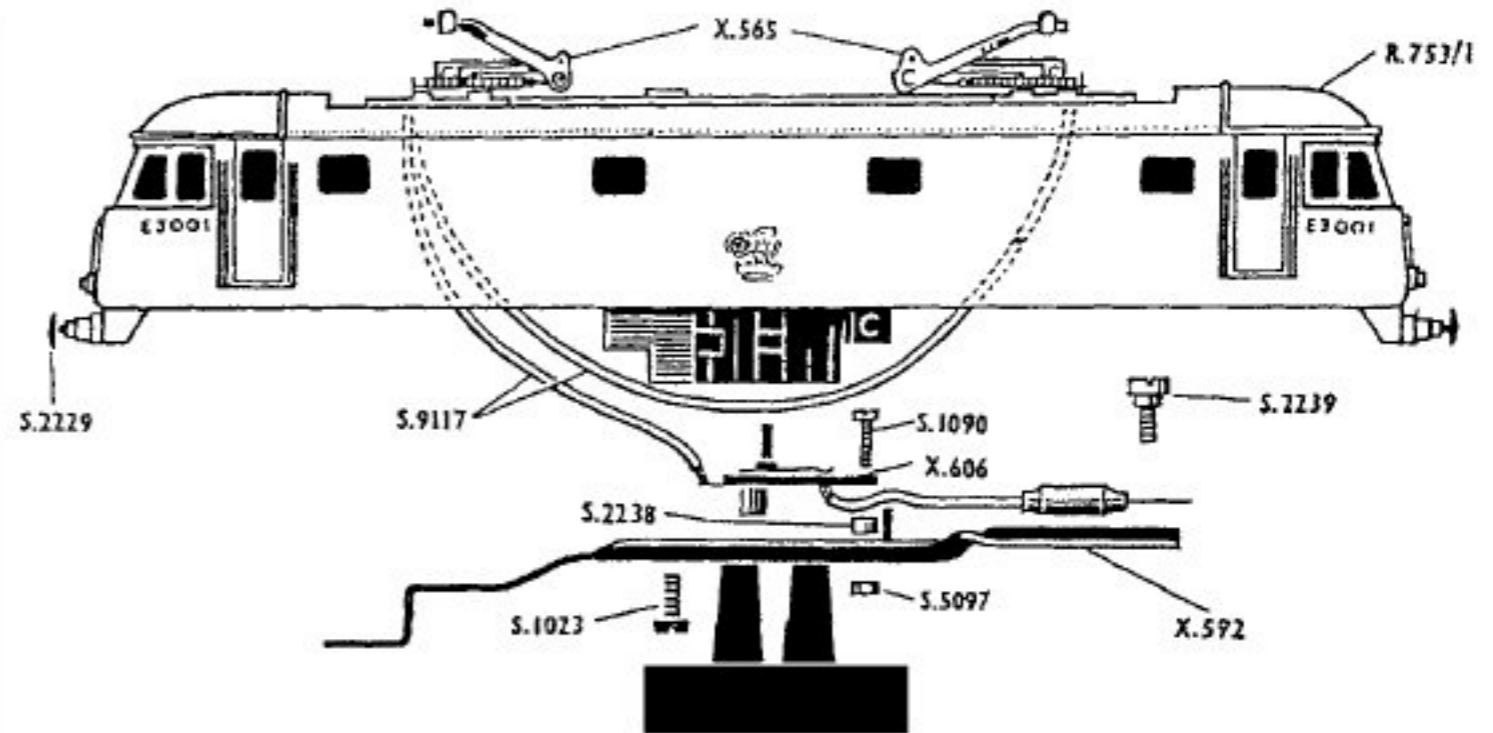
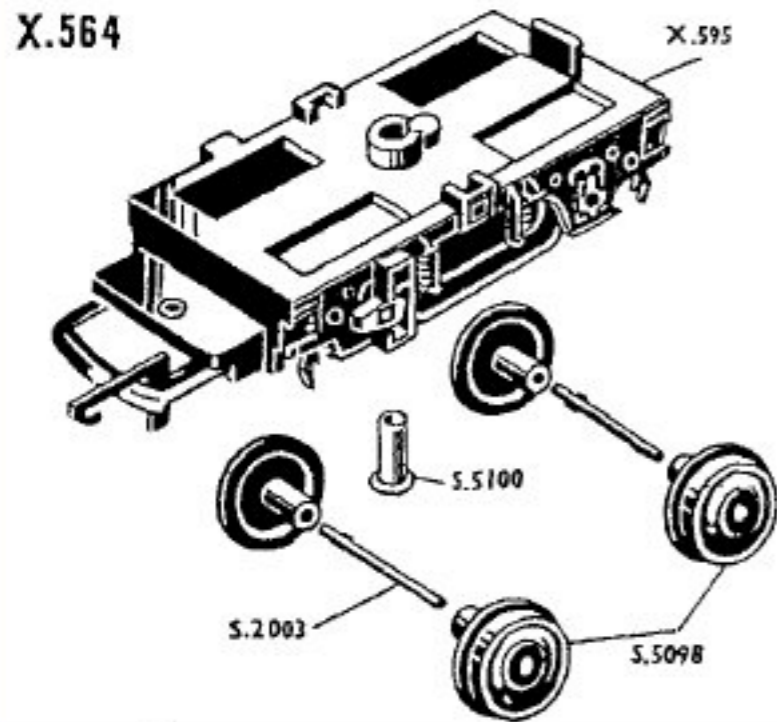
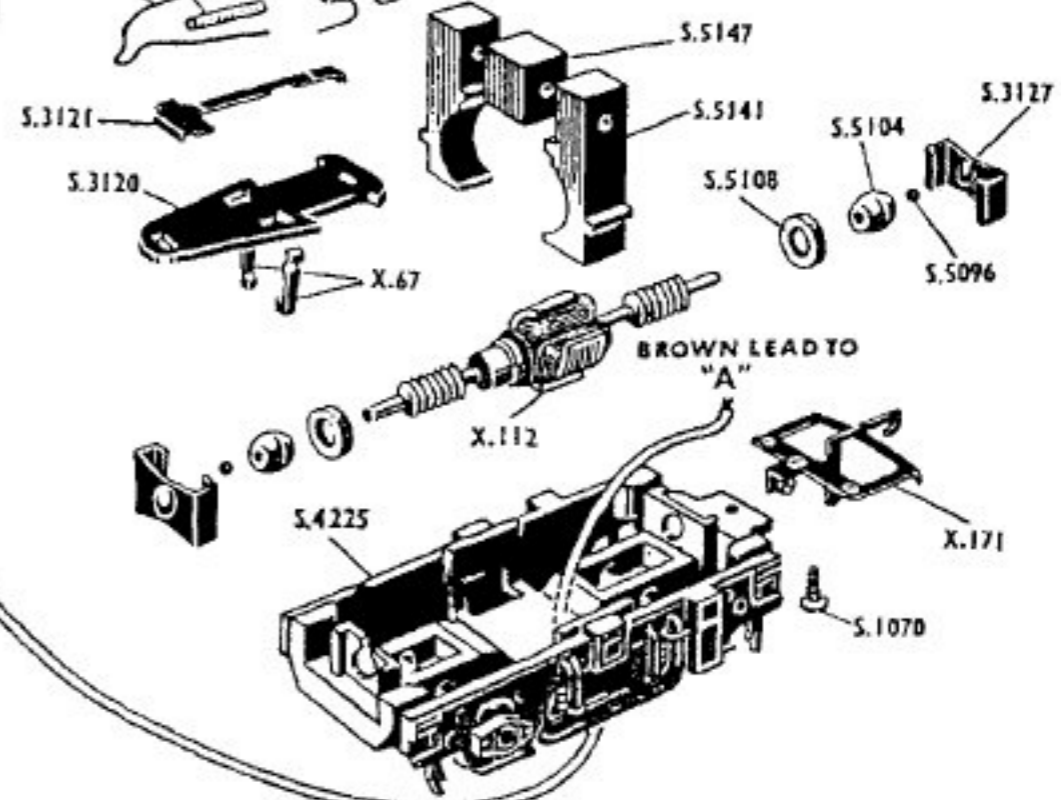
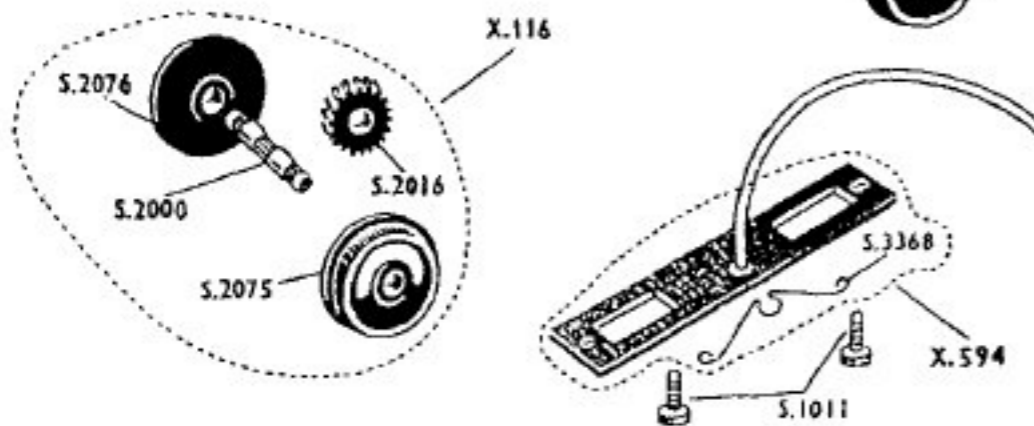


LOCOMOTIVE - R.753



NOTE: To avoid loss of magnetism when withdrawing the armature assembly, a suitable keeper must be applied to the magnet.

NOTE: From the 1st January, 1967 this model is fitted with one pantograph only to conform with British Rail practice.



COLOUR CODE FOR LEADS: RED, Brush lead. BROWN, Collector lead. WHITE, Pantograph lead.

- R.753/1 Locomotive Body complete with Windows, Buffers and Labels
- X.67 Brush Arm and Brush
- X.112 Armature Assembly (including commutator and S.2051 worms)
- X.116 Axle Assembly
- X.171 Mk. 3 Coupling Unit
- X.564 Non-powered Bogie
- X.565 Pantograph
- X.592 Chassis and Weight Assembly
- X.593 T.V. Suppressor with Lead and Brush Clip
- X.594 Collector Diaphragm and lead with collector spring
- X.595 Non-powered Bogie Frame Assembly
- X.606 Switch Assembly

- X.3169 Power Bogie
- S.1011 Securing Screw for Collector, etc.
- S.1023 Body Securing Screw
- S.1055 Magnet Screw
- S.1070 Coupling Screw (3/16")
- S.1090 Securing Screw for Switch Assembly
- S.2000 Knurled Driving Axle
- S.2003 Standard Rolling Stock Axle
- S.2016 Worm Wheel (26 Teeth)
- S.2075 Bushed Wheel (large) for Power Bogie
- S.2076 Unbushed Wheel (large) for Power Bogie
- S.2229 Large Round Headed Buffer
- S.2238 Spacing Collar
- S.2239 Power Bogie Pivot Pin

- S.3120 Brush Gear Diaphragm
- S.3121 Brush Gear Return Spring
- S.3127 Spring Clip
- S.3128 Brush Spring
- S.3368 Collector Spring
- S.4044 Top Mounting Bracket
- S.4225 Power Bogie Main Frame
- S.5065 Insulating Bush
- S.5096 Thrust Ball
- S.5097 Nut for Switch Assembly
- S.5098 Wheel for Non-powered Bogie
- S.5100 Bogie Eyelet
- S.5104 Spherical Bearing
- S.5108 Felt Lubricating Pad
- S.5141 Pole Piece
- S.5147 Magnet
- S.5261 Insulating Sleeve
- S.9117 Lead for Pantograph (White)

Modifications are made to Triang Hornby models from time to time. If a spare part is required which does not coincide with the illustration, a full description should be given and, if necessary, a sketch or sample should accompany the order.

PRINTED IN ENGLAND



ROVEX SCALE MODELS LIMITED
WESTWOOD, MARGATE, KENT, ENGLAND
A Member of the Lines Bros. Group of Companies

SERVICING SHEET
No. 47
Issued December, 1966