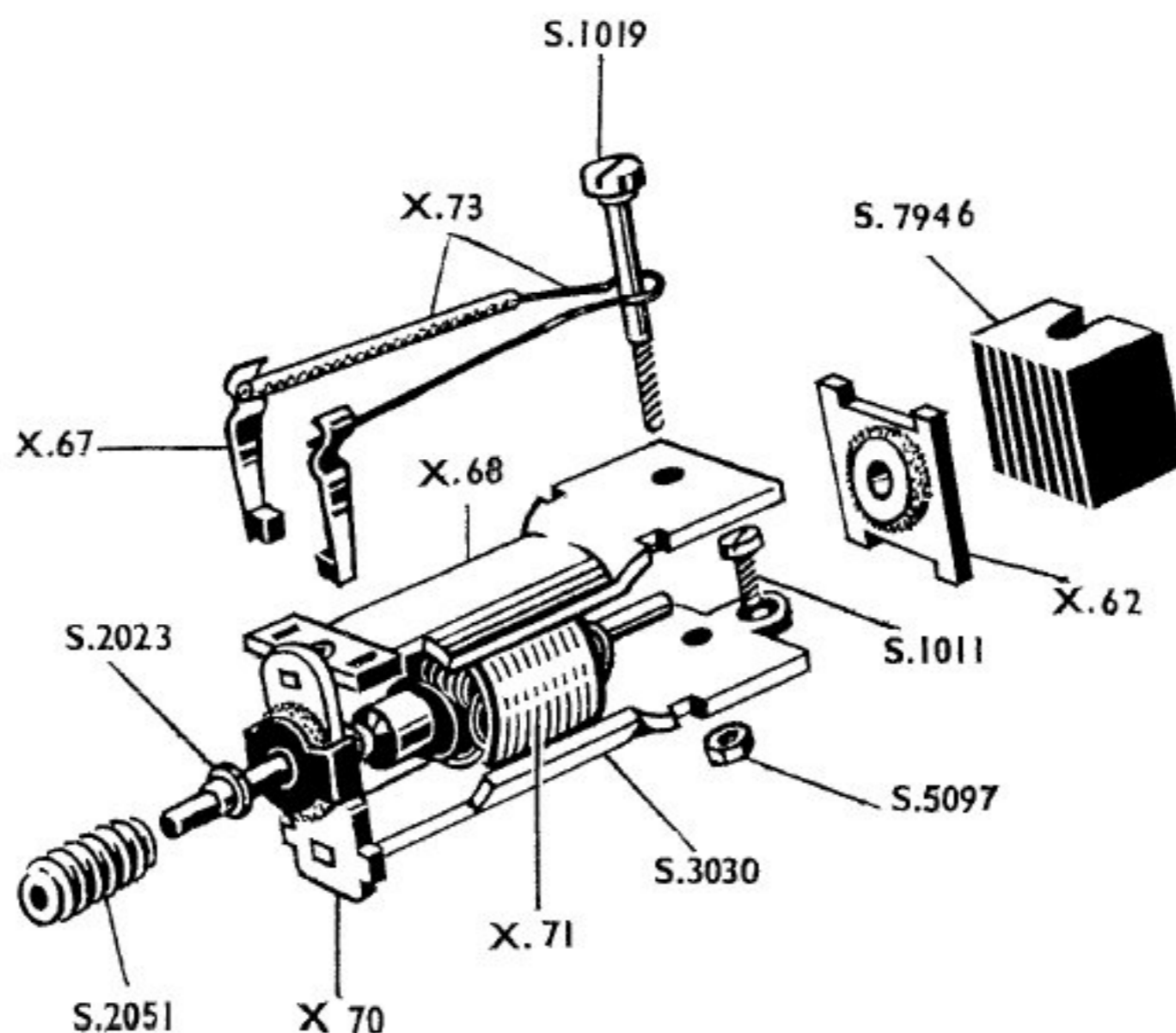


X.04 MARK IV MOTOR



- X.62 Back Plate and Bearing
- X.67 Brush Arm and Brush
- X.68 Top Pole Piece with Diaphragm
- X.69 Diaphragm and eyelet (*Shown as part of X.68*)
- X.70 Front Plate and Bearing
- X.71 Armature and Commutator
- X.73 Brush Spring and Insulator
- S.1011 Motor Securing Screw
- S.1019 Magnet Screw
- S.2023 Thrust Bush
- S.2051 Two Start Worm
- S.3030 Bottom Pole Piece
- S.5097 Magnet Nut
- S.7946 Magnet

Modifications are made to Tri-ang Hornby models from time to time. If a spare part is required which does not coincide with the illustration, a full description should be given and, if necessary, a sketch or sample should accompany the order. We do not undertake to supply separate components for the parts listed with an X prefix, unless a separate S part number is shown.