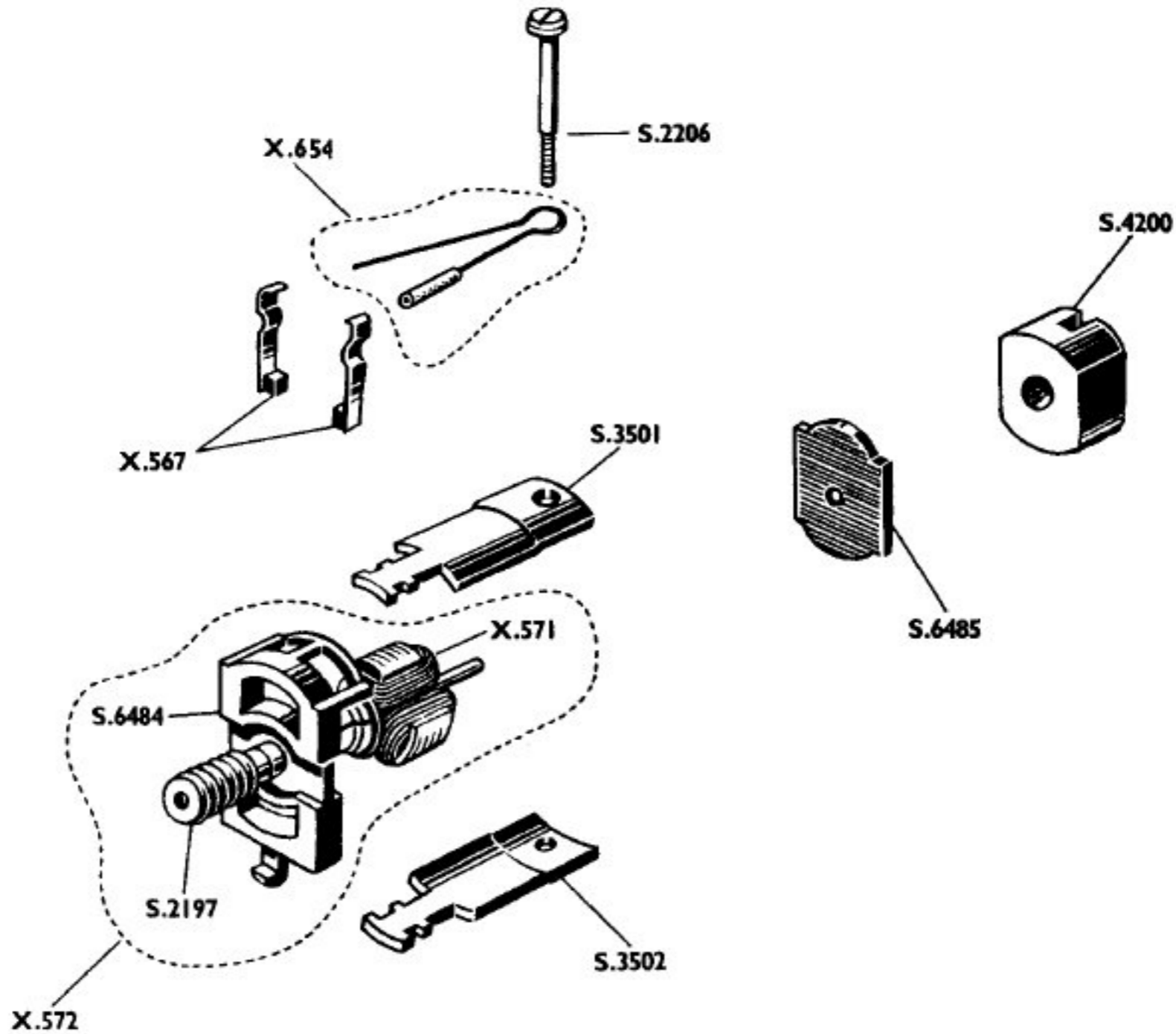


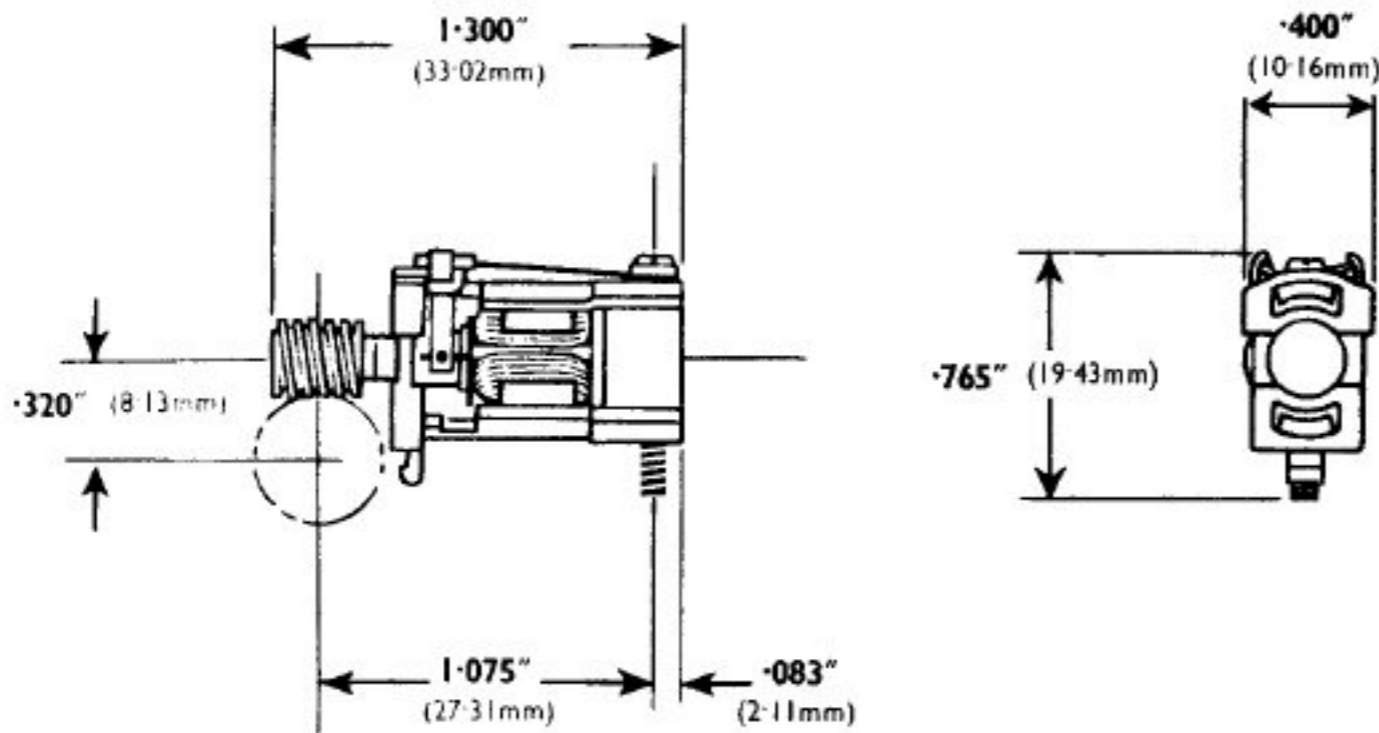
MOTOR—X.500



X.500 Complete Motor
X.567 Brush Arm and Brush
X.571 Armature and Commutator
X.572 Front Plate and Armature Assembly including worm

X.654 Brush Spring and Insulator
S.2197 Two-start Worm
S.2206 Magnet and Motor Securing Screw
S.3501 Top Pole Piece—Clear Hole

S.3502 Bottom Hole Piece—Tapped Hole
S.4200 Magnet
S.6484 Front Plate
S.6485 Rear Bearing



POLES	3
SHAFT DIA.	0.320" (8.13 mm)
ARMATURE DIA.	0.375" (9.53 mm)
CURRENT	0.1 AMP
DRIVE	TWO-START WORM
REDUCTION RATIO	13 to 1
MAGNET	ALCOMAX III
BEARING	DELRIN
ARMATURE SPEED	20,000 r.p.m.

Modifications are made to Tri-ang Hornby models from time to time. If a spare part is required which does not coincide with the illustration, a full description should be given and, if necessary, a sketch or sample should accompany the order. We do not undertake to supply separate components for the parts listed with an X prefix, unless a separate S part number is shown.

PRINTED IN ENGLAND