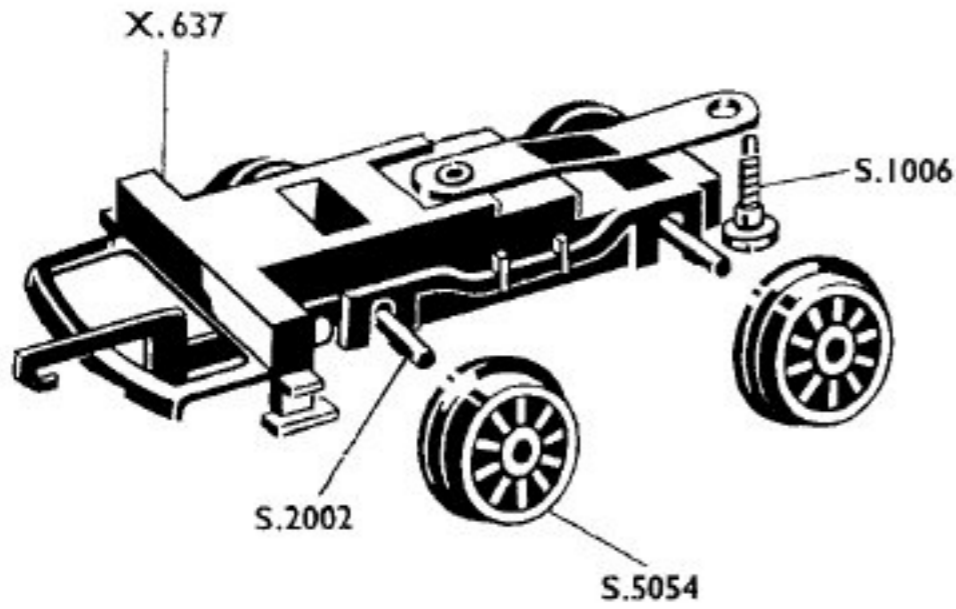


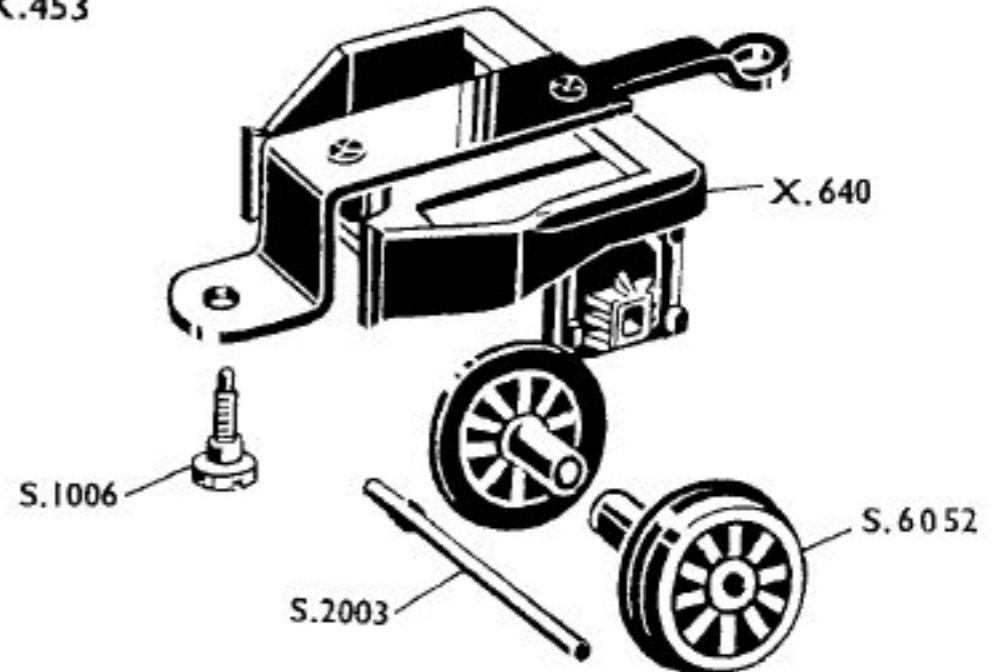
LOCOMOTIVE BOGIES & PONY TRUCKS

As produced after 1st January, 1961

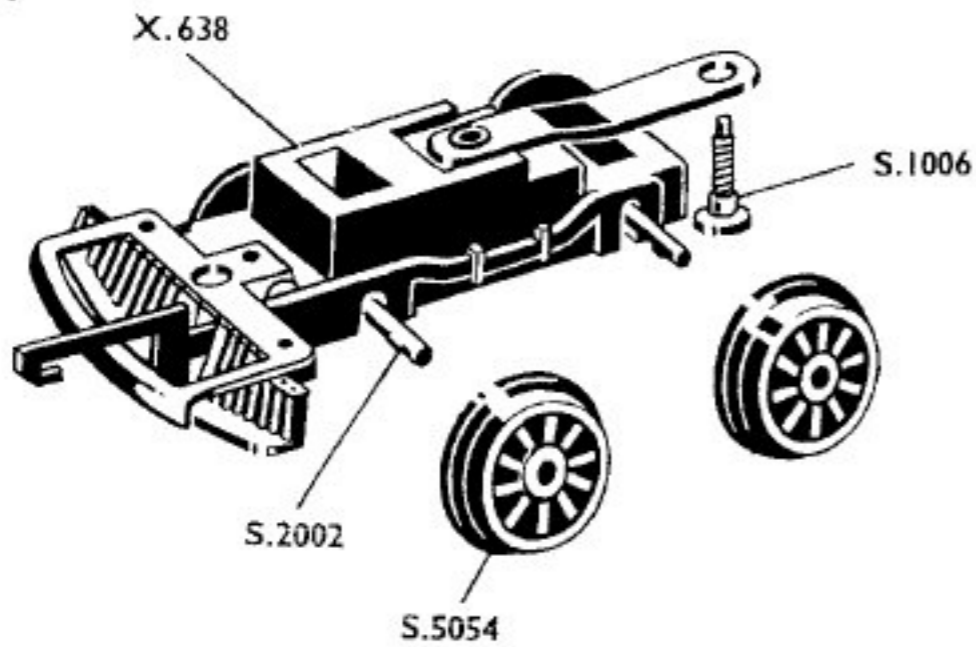
X.335



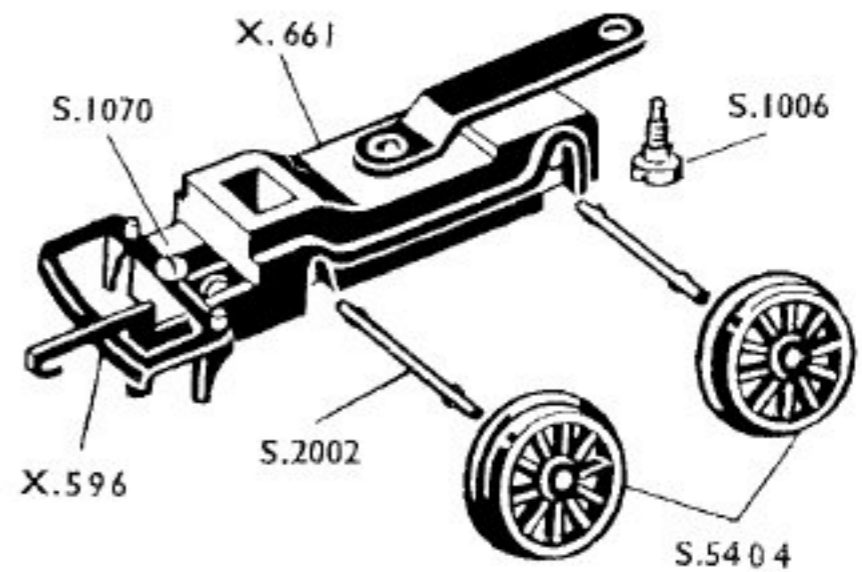
X.453



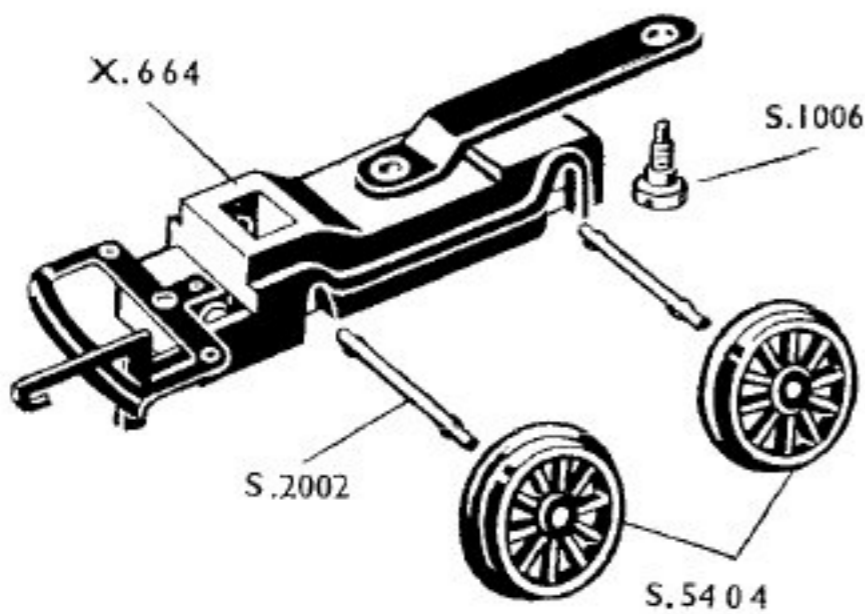
X.333



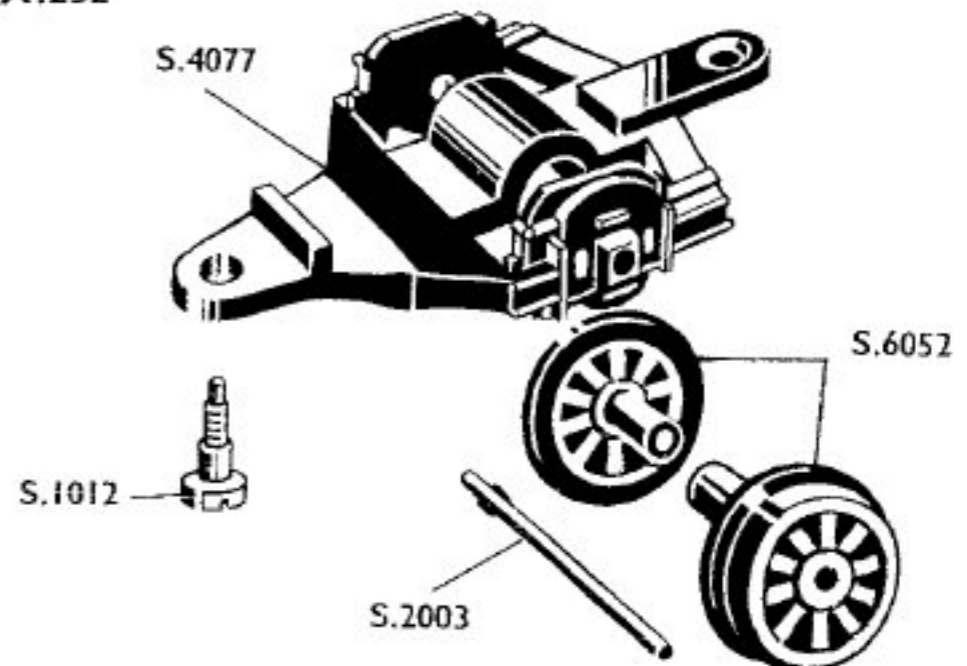
X.566



X.228



X.232



- X.228 Bogie for R.350
- X.232 Pony Truck for R.259
- X.333 Front Bogie for R.54
- X.335 Front Bogie for R.53, R.259
- X.453 Pony Truck for R.53, R.54
- X.566 Bogie for R.759
- X.596 Coupling Unit R.759
- X.637 Bogie Frame Assembly R.53, R.259

- X.638 Bogie Frame Assembly R.54
- X.640 Pony Truck Frame Assembly R.53, R.54
- X.661 Bogie Frame Assembly R.759
- X.664 Bogie Frame Assembly R.350
- S.1006 Bogie and Pony Truck Securing Screw

- S.1012 Pony Truck Securing Screw
- S.1070 Coupling Screw ($\frac{3}{16}$ ")
- S.2002 Double Splined Axle
- S.2003 Standard Rolling Stock Axle
- S.4077 Pony Truck Frame
- S.5054 Locomotive Bogie Wheel
- S.5404 Locomotive Bogie Wheel
- S.6052 Spoked Wagon Wheel

Modifications are made to Tri-ang Hornby models from time to time. If a spare part is required which does not coincide with the illustration, a full description should be given and, if necessary, a sketch or sample should accompany the order. We do not undertake to supply separate components for the parts listed with an X prefix, unless a separate S part number is shown.

PRINTED IN ENGLAND