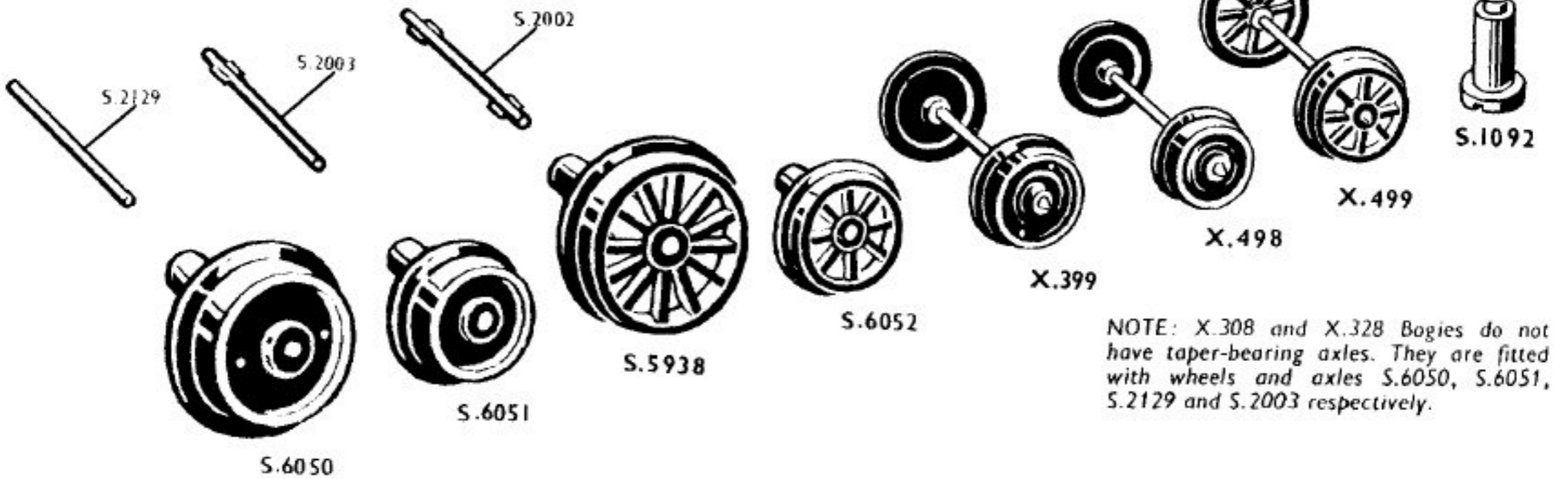
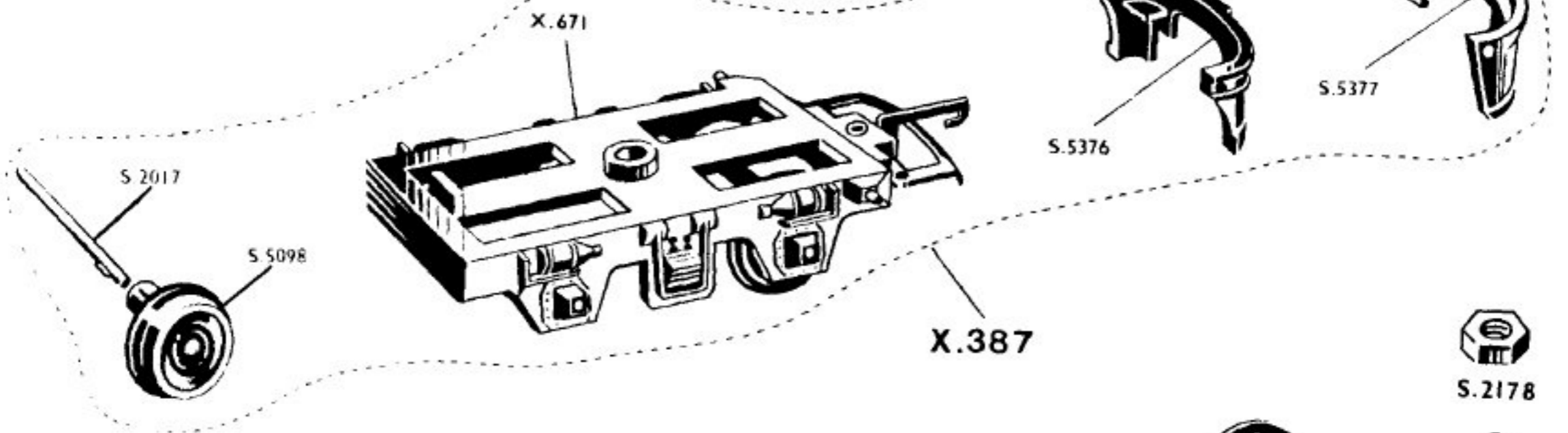
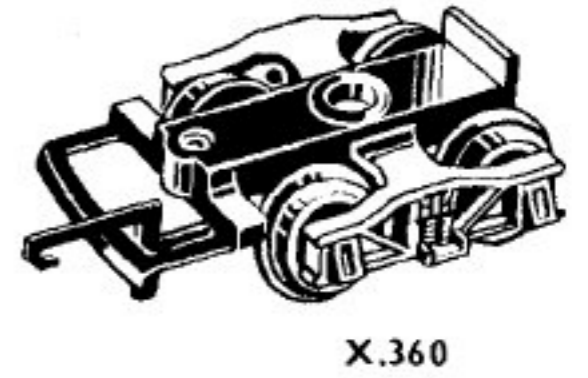
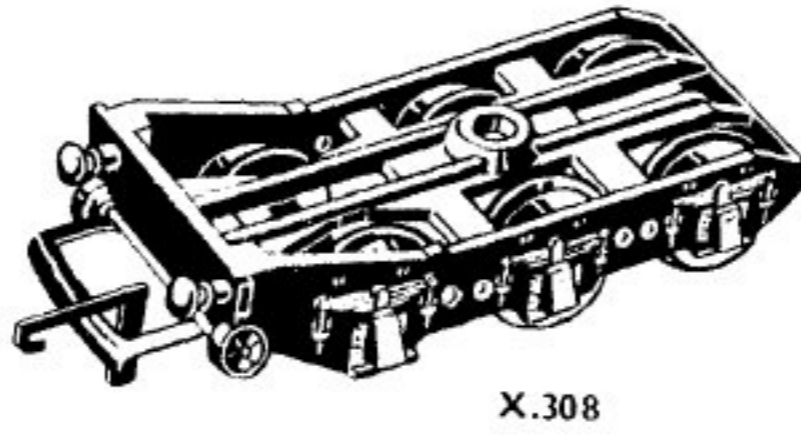
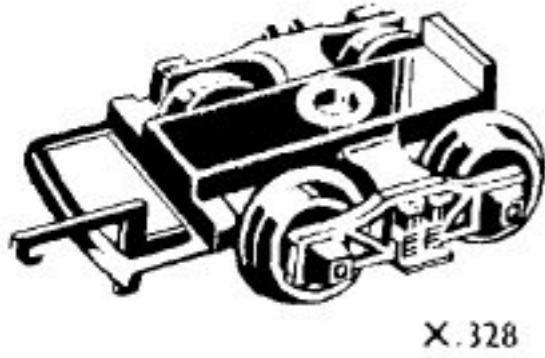


OO/HO SPARES & BOGIES



NOTE: X.308 and X.328 Bogies do not have taper-bearing axles. They are fitted with wheels and axles S.6050, S.6051, S.2129 and S.2003 respectively.

- | | | |
|---|--|---|
| X.308 Six-Wheeled Bogie | X.499 Axle Assembly with spoked wheels | S.2178 Bogie Fixing Nut |
| X.328 Diamond Frame Bogie | X.671 T.C. Non-powered Bogie Frame and Coupling | S.5098 Non-powered Bogie Wheel |
| X.360 Diamond Frame Bogie (Replaces X.328 on some models only) | S.1092 Bogie Fixing Screw | S.5376 Pilot for R.55 |
| X.387 T.C. Non-powered Bogie | S.2002 Double Splined Axle | S.5377 Pilot for R.159 |
| X.399 Axle Assembly with disc 2-hole wheels | S.2003 Standard Rolling Stock Axle | S.5938 Large-Spoked Tender Wheel |
| X.498 Axle Assembly with small disc wheels | S.2017 Non-powered Bogie Axle | S.6050 Rolling Stock Wheel two-hole disc |
| | S.2129 Rolling Stock Axle Plain | S.6051 Rolling Stock Wheel small disc |
| | | S.6052 Spoked Wagon Wheel |

Modifications are made to Tri-ang Hornby models from time to time. If a spare part is required which does not coincide with the illustration, a full description should be given and, if necessary, a sketch or sample should accompany the order. We do not undertake to supply separate components for the parts listed with an X prefix, unless a separate S part number is shown.