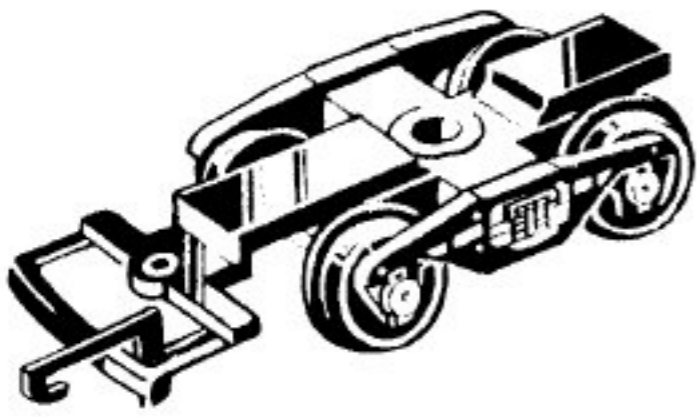
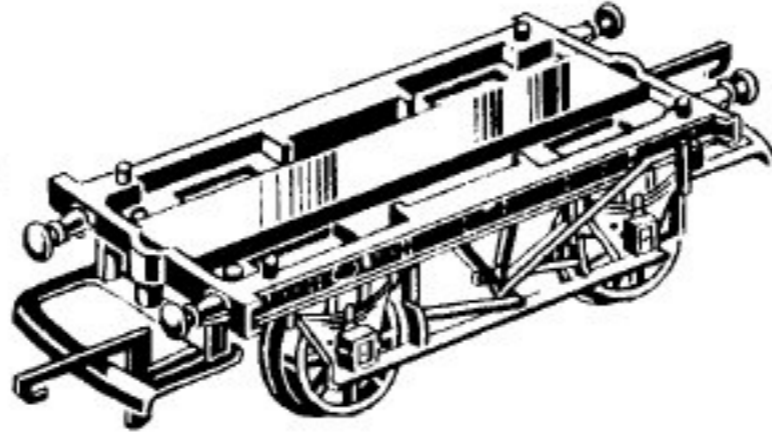


OO/HO CHASSIS & BOGIES

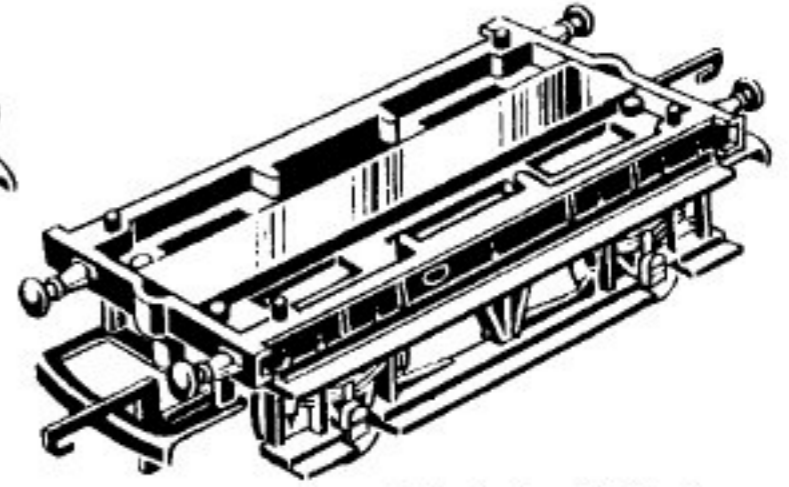
(with taper bearing axles)



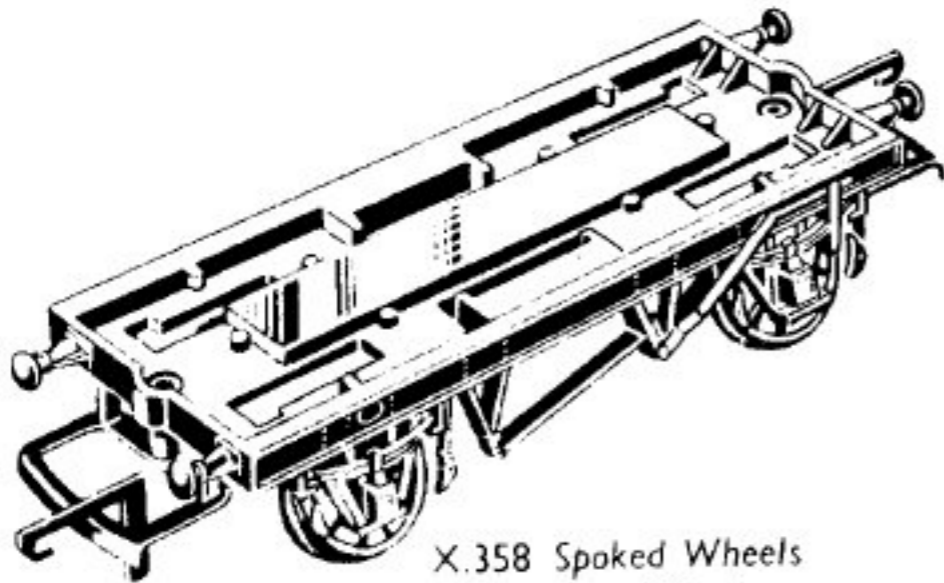
X.619 Small Disc Wheels



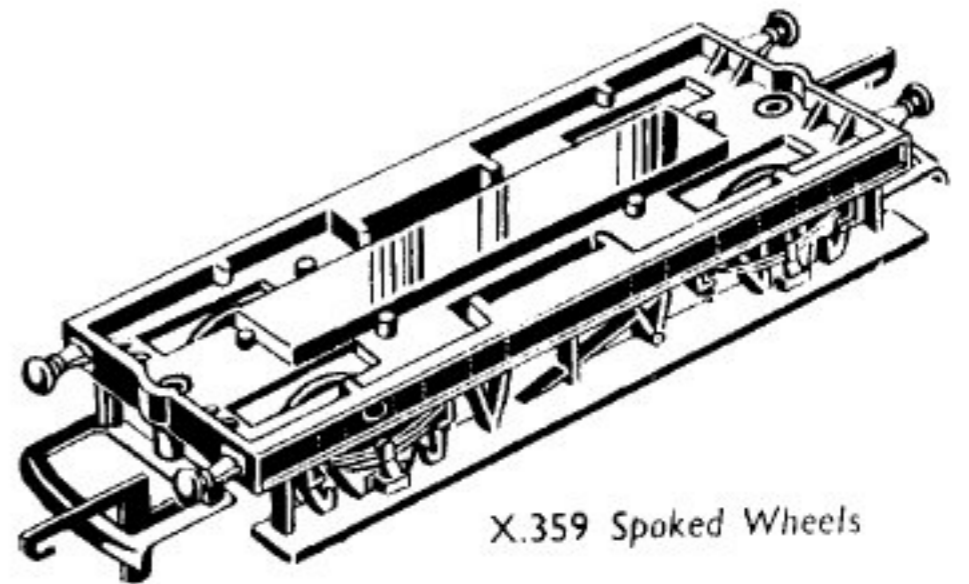
X.356 Spoked Wheels
X.511 Disc Wheels



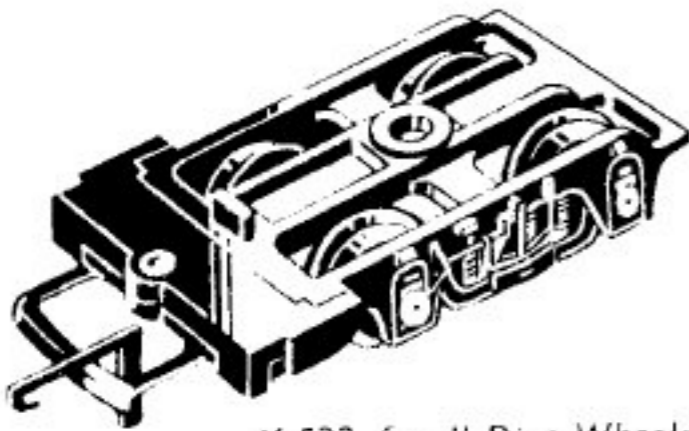
X.357 Spoked Wheels



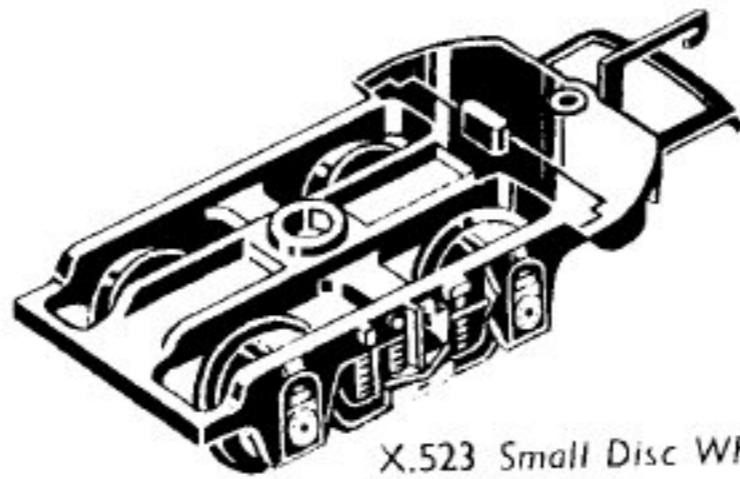
X.358 Spoked Wheels
X.524 Disc Wheels



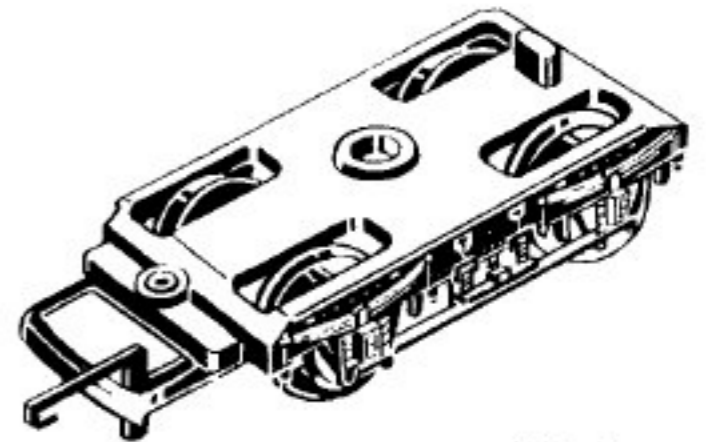
X.359 Spoked Wheels



X.522 Small Disc Wheels



X.523 Small Disc Wheels



X.531 Disc Wheels

- X.356 Standard Wagon Chassis
- X.357 Standard Brake Van Chassis
- X.358 Long-Wheelbase Wagon Chassis
- X.359 Long-Wheelbase Brake Van Chassis

- X.511 Standard Wagon Chassis
- X.522 Straight-ended T.C. Coach Bogie
- X.523 Curved-ended T.C. Coach Bogie

- X.524 Long-wheelbase Wagon Chassis
- X.531 Standard B.R. Coach Bogie
- X.619 Freightliner Wagon Bogie

Modifications are made to Tri-ang Hornby models from time to time. If a spare part is required which does not coincide with the illustration, a full description should be given and, if necessary, a sketch or sample should accompany the order. We do not undertake to supply separate components for the parts listed with an X prefix, unless a separate S part number is shown.