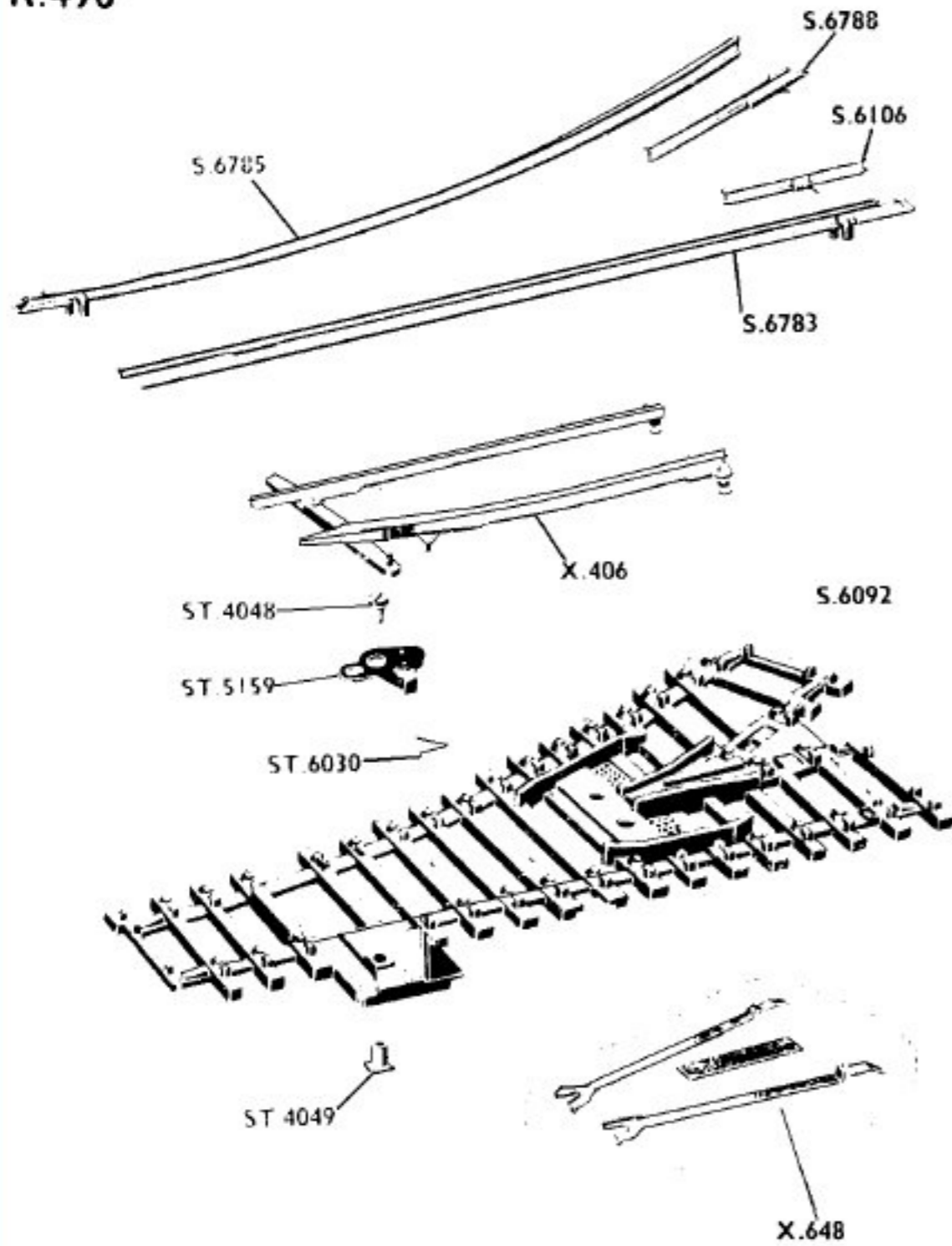
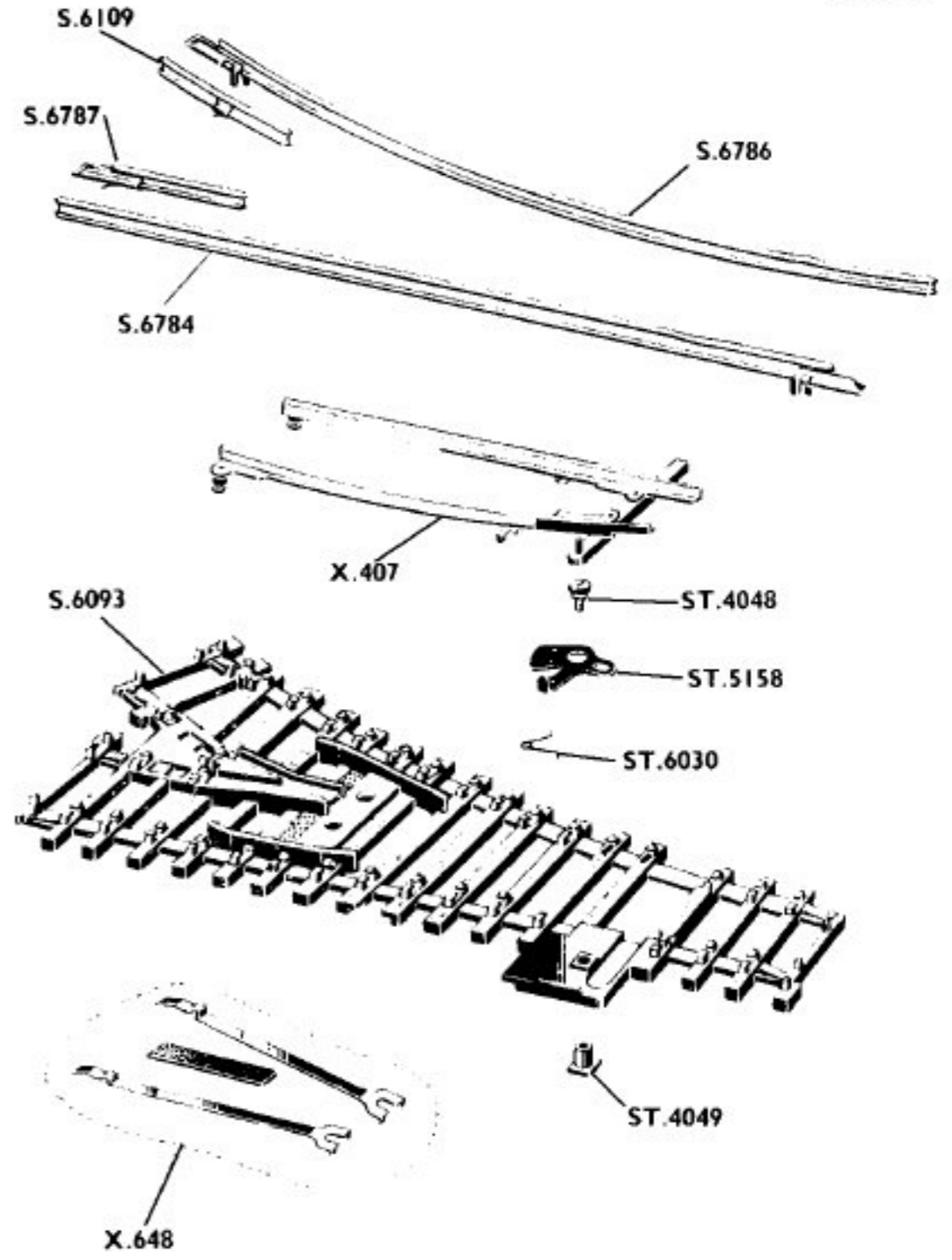


SUPER 4 POINTS—R.490, R.491

R.490



R.491



Super 4 Points R.490 and R.491 may be converted for electrical operation by the addition of X.404 point motor

- X.406** Blade Assembly (L/H)
- X.407** Blade Assembly (R/H)
- X.648** Feed Strips and Insulator
- S.6092** Track Base (L/H)
- S.6093** Track Base (R/H)
- S.6106** Rail Short Straight (L/H)

- S.6109** Rail Short Curved (R/H)
- S.6783** Rail Straight (L/H)
- S.6784** Rail Straight (R/H)
- S.6785** Rail Curved (L/H)
- S.6786** Rail Curved (R/H)
- S.6787** Rail Short Straight (R/H)

- S.6788** Rail Short Curved (L/H)
- ST.4048** Crank Lever Pivot Screw
- ST.4049** Crank Lever Pivot Nut
- ST.5158** Crank Lever (R/H)
- ST.5159** Crank Lever (L/H)
- ST.6030** Locking Spring

Modifications are made to Triang Hornby models from time to time. If a spare part is required which does not coincide with this illustration, a full description should be given and, if necessary, a sketch or sample should accompany the order. We do not undertake to supply separate components for the parts listed with an X prefix, unless a separate S part number is shown.