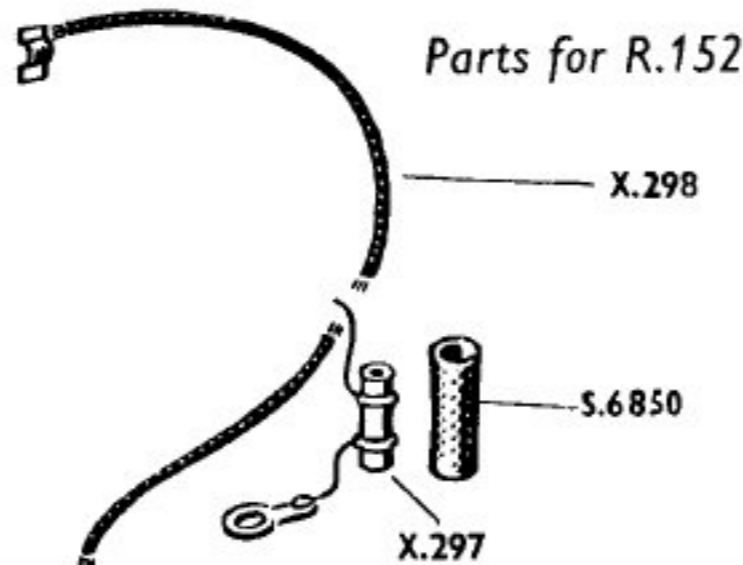
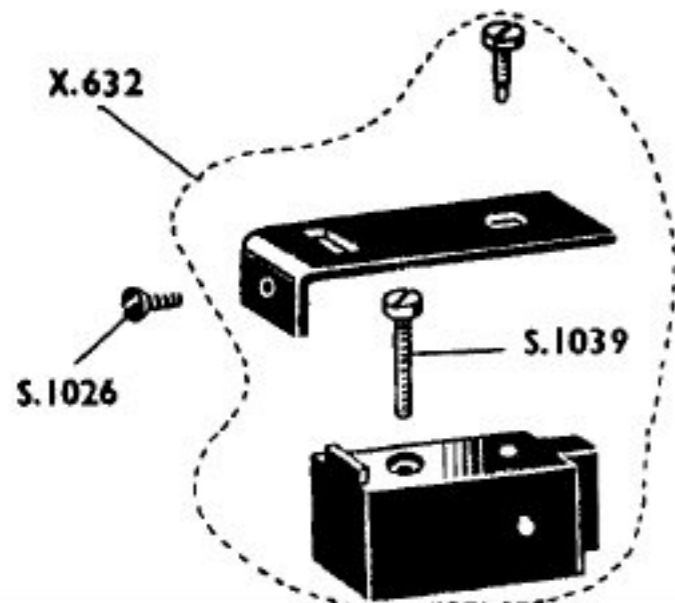
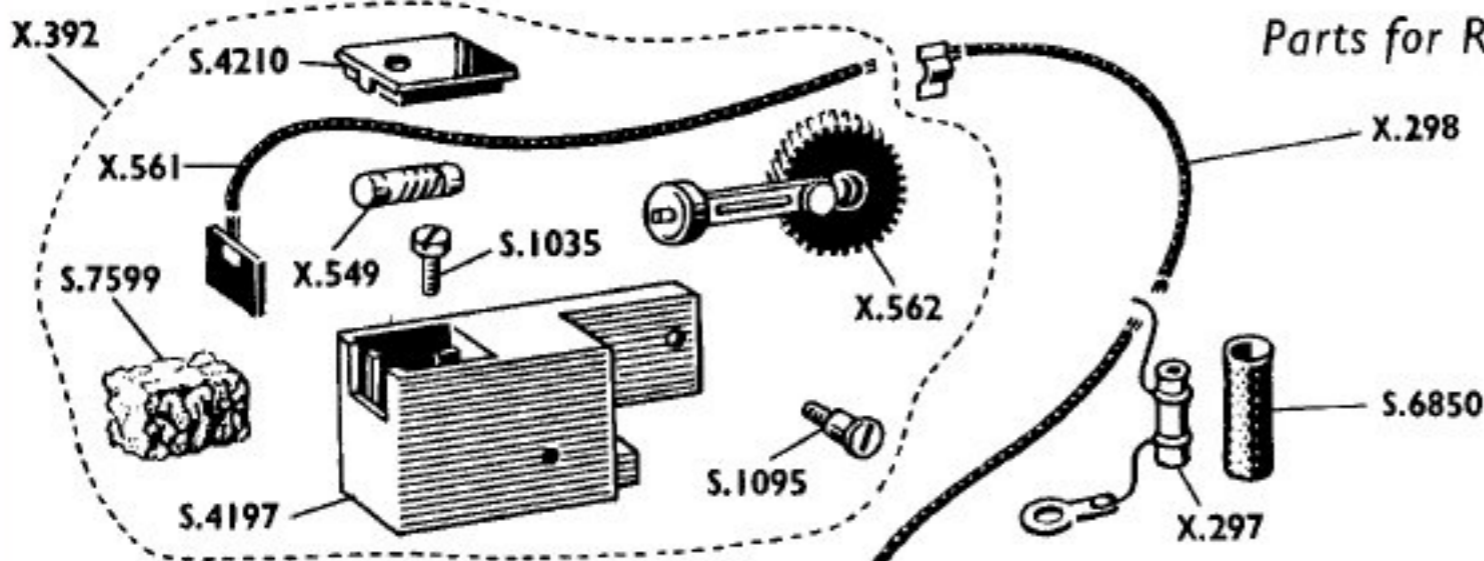
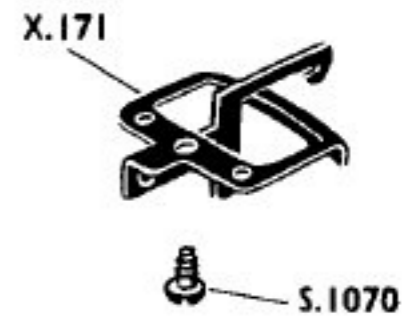


## CHASSIS R.52S, R.152, R.25IS

As produced after 1st January 1964

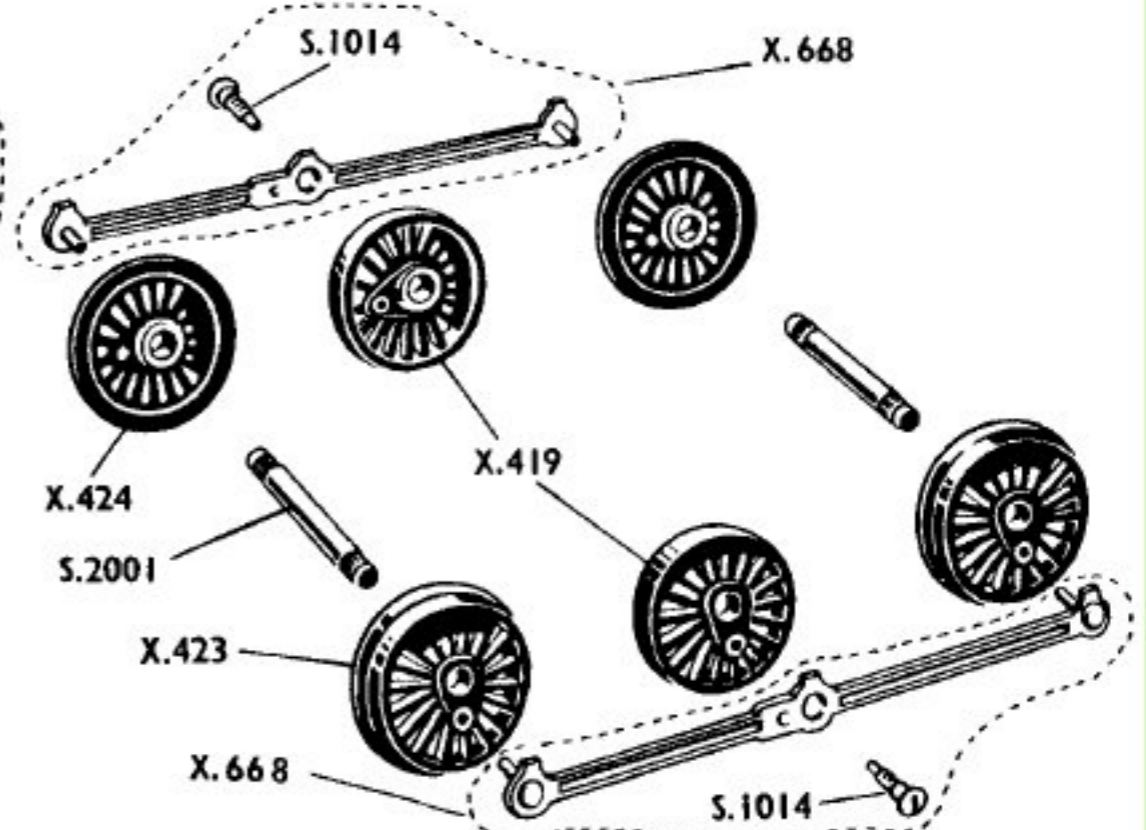
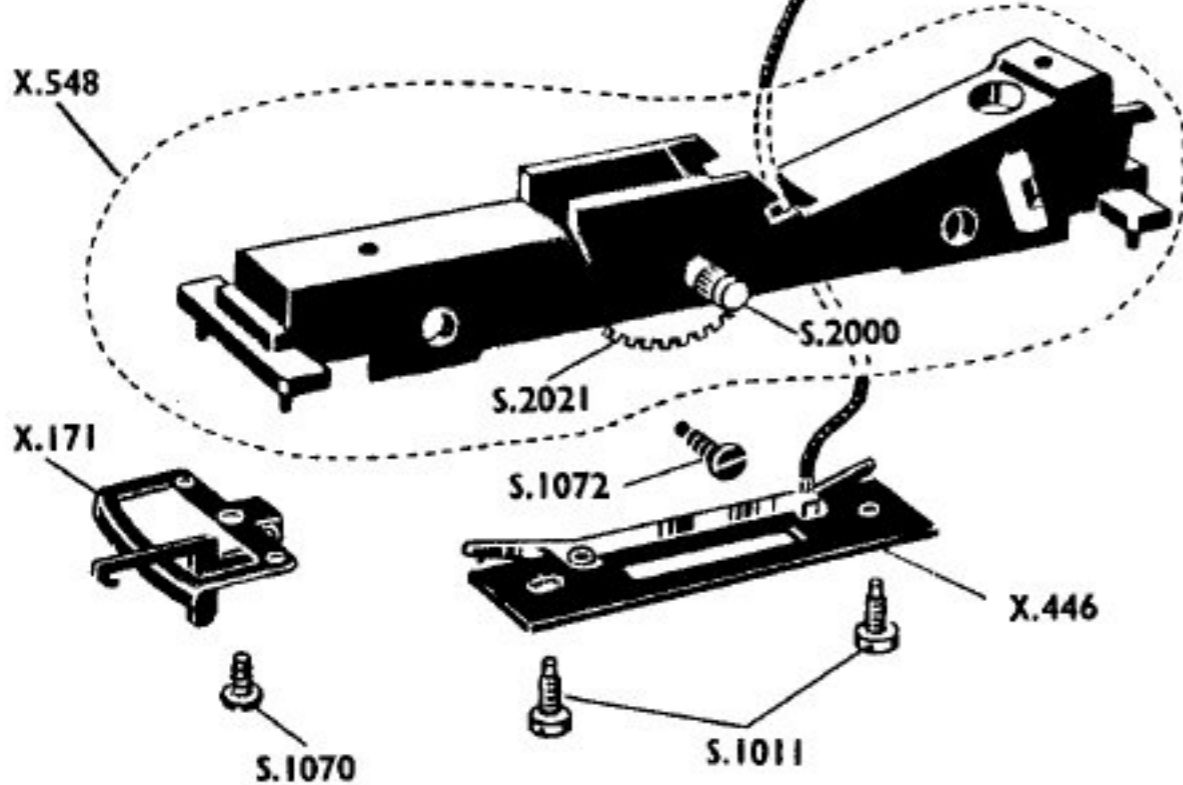


Rear Coupling for R.52S, R.152



Parts for R.52S, R.25IS

X.633 Rear Coupling for R.25IS



- X.171 Mk. 3 Coupling Unit
- X.297 T.V. Suppressor and Tag Washer
- X.298 Brush Lead and Clip
- X.392 Synchro-smoke Unit Type 2
- X.419 Flangeless Bushed Driving Wheel
- X.423 Flanged Unbushed Driving Wheel
- X.424 Flanged Bushed Driving Wheel
- X.446 Collector Assembly with Lead

- X.548 Chassis Assembly (comprising S.2000, S.2001)
- X.549 Element
- X.561 Element Contact and Lead
- X.562 Worm Wheel and Piston Assembly
- X.632 Weight Assembly R.152
- X.633 Rear Coupling Assembly R.25IS
- X.668 L/H and R/H Coupling Rods and Screws
- S.1011 Standard Screw
- S.1014 Coupling Rod Screw

- S.1026 Body Securing Screw for R.152
- S.1035 Smoke Unit Securing Screw
- S.1039 Weight Securing Screw
- S.1070 Coupling Screw (7/8")
- S.1072 Body Securing Screw for R.52S, R.25IS
- S.1095 Pivot Screw
- S.2000 Knurled Driving Axle
- S.2001 Plain Driving Axle
- S.2021 Worm Wheel (40 teeth)
- S.4197 Smoke Unit Casting
- S.4210 Cover Plate
- S.6850 Insulating Sleeve
- S.7599 Fibre Wad

For Motor see Service Sheet No. 51

Modifications are made to Tri-ang Hornby models from time to time. If a spare part is required which does not coincide with the illustration, a full description should be given and, if necessary, a sketch or sample should accompany the order. We do not undertake to supply separate components for the parts listed with an X prefix, unless a separate S part number is shown.

PRINTED IN ENGLAND