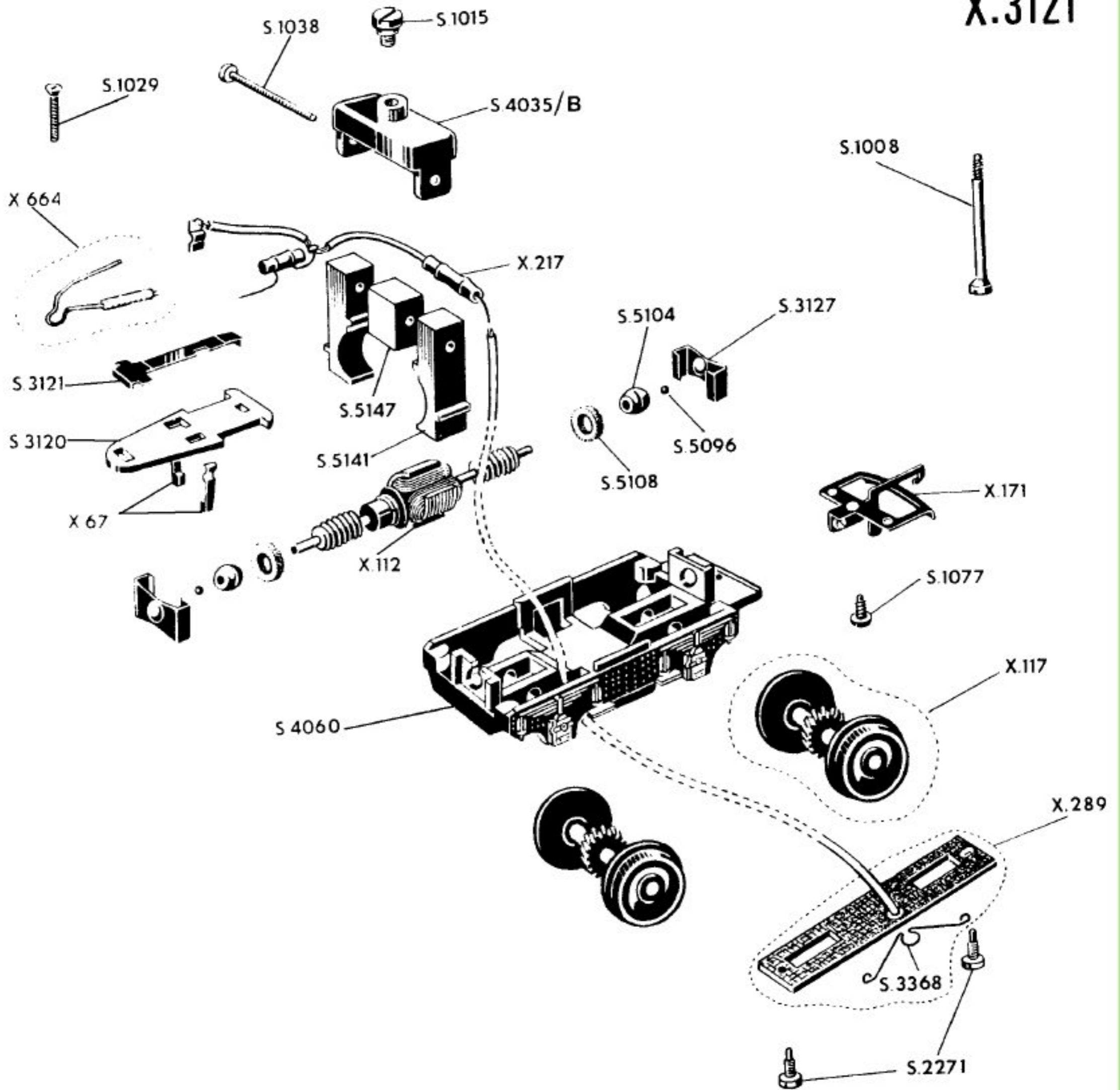


POWER BOGIE—R.157, R.555

X.3121



- | | | |
|---|--|------------------------------------|
| X.67 Brush Arm and Brush | X.3121 Power Bogie Complete | S.3127 Spring Clip |
| X.112 Armature Assembly (Including Commutator and Worms) | S.1008 Body Fixing Screw for R.555 | S.3368 Collector Spring |
| X.117 Axle Assembly | S.1015 Pivot Pin | S.4035/B Pivot Bracket |
| X.171 Mk 3 Coupling Unit | S.1029 Roof Securing Screw for R.157 | S.4060 Main Frame Casting |
| X.217 T.V. Suppressors with Lead and Brush Clip | S.1038 Magnet Screw | S.5096 Thrust Ball |
| X.289 Collector Assembly with Lead | S.1077 Coupling Screw ($\frac{1}{8}$ ") | S.5104 Spherical Bearing |
| X.664 Brush Spring and Insulator | S.2271 Collector Securing Screw | S.5108 Felt Lubricating Pad |
| | S.3120 Brush Gear Diaphragm | S.5141 Pole Piece |
| | S.3121 Brush Gear Return Spring | S.5147 Magnet |

For Non-powered Bogie see Service Sheet No. 55

Modifications are made to Triang Hornby models from time to time. If a spare part is required which does not coincide with the illustration, a full description should be given and, if necessary, a sketch or sample should accompany the order. We do not undertake to supply separate components for the parts listed with an X prefix, unless a separate S part number is shown.