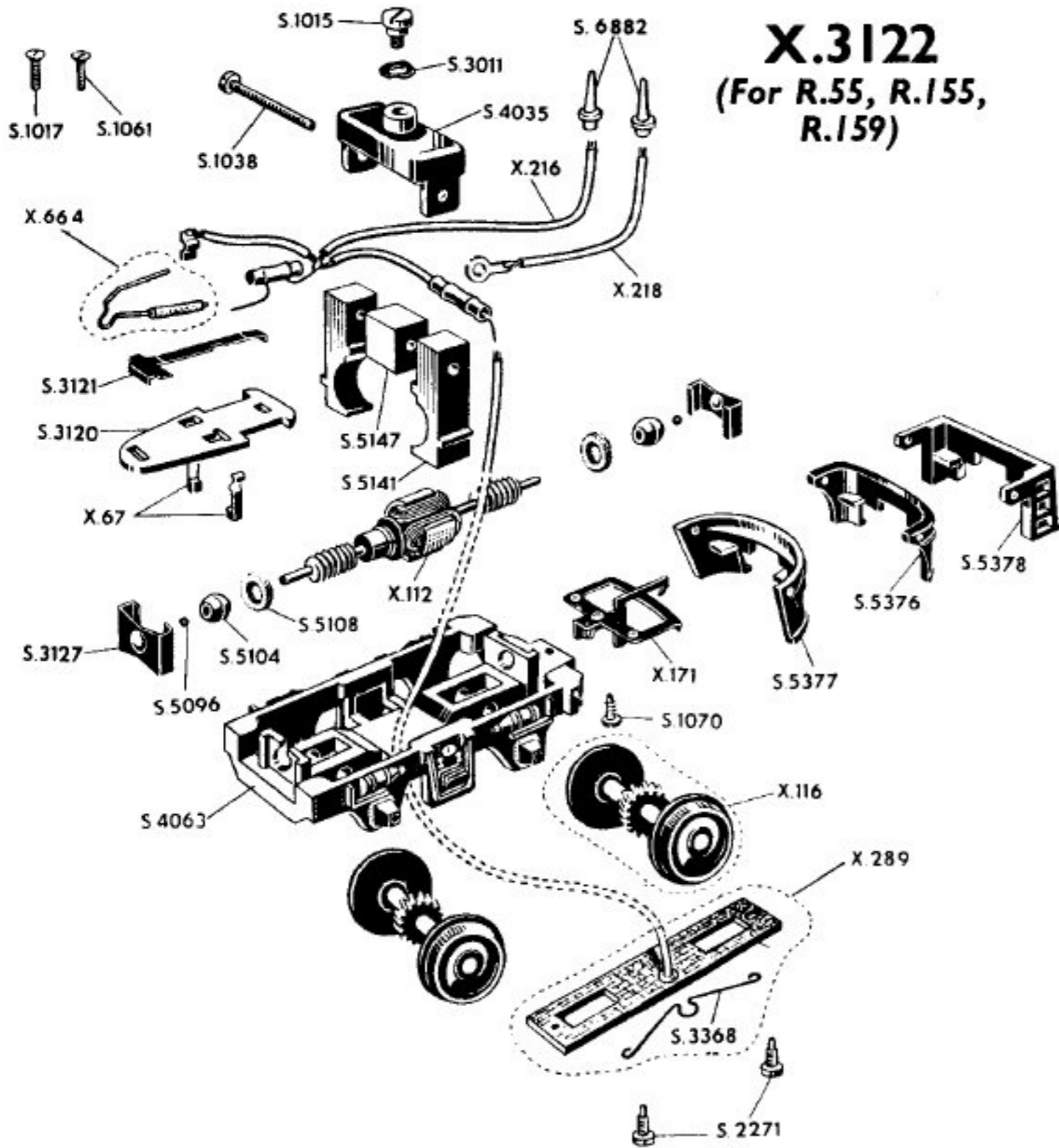
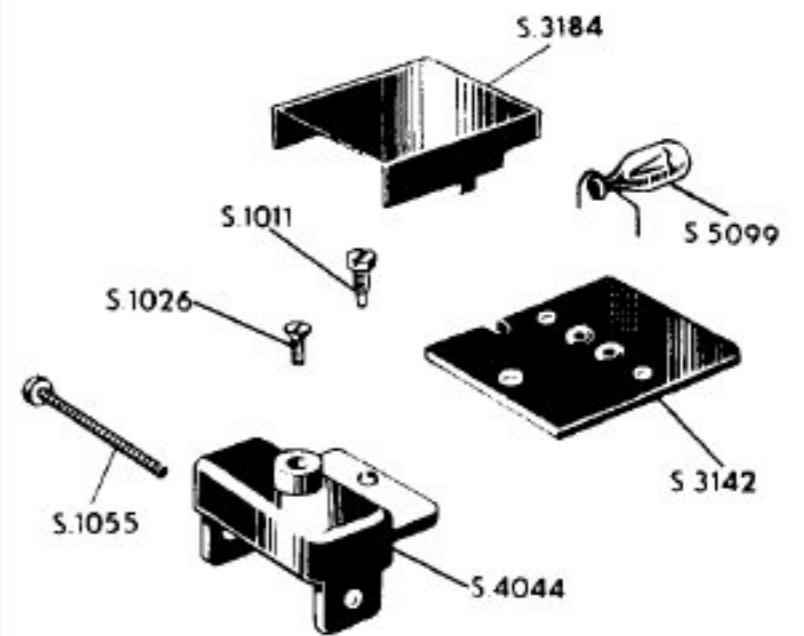


POWER BOGIES—R.55, R.155, R.159, R.253

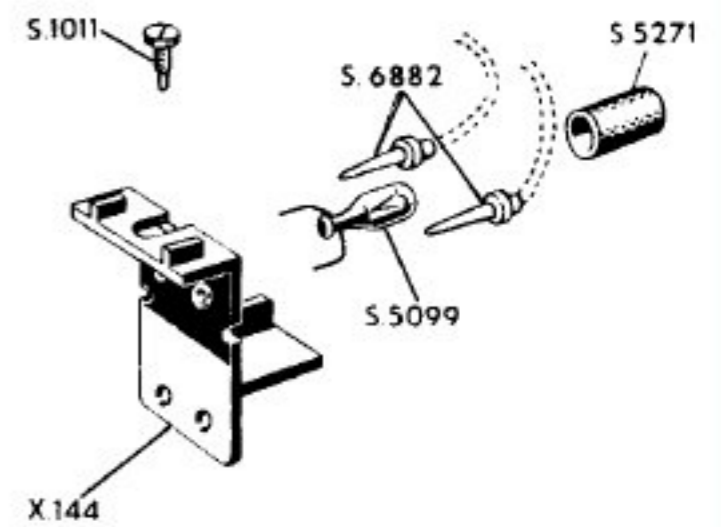


X.3122
(For R.55, R.155, R.159)

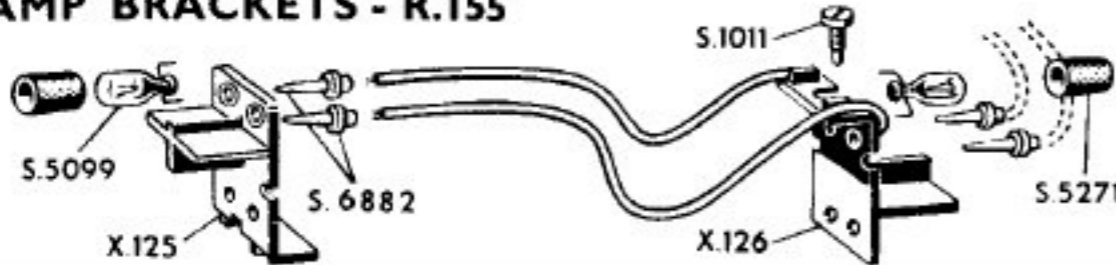
X.3166 (For R.253)
Other Parts as for X.3122



LAMP BRACKET R.55



LAMP BRACKETS - R.155



WINDOW & LAMP HOUSING UNITS - R.159



- X.67** Brush Arm and Brush
- X.112** Armature Assembly
- X.116** Axle Assembly
- X.125** Lamp Bracket (floor mounting)
- X.126** Lamp Bracket with leads
- X.144** Lamp Bracket (top mounting)
- X.153** Window and Lamp Housing
- X.154** Window and Lamp Housing with Leads
- X.171** Mk. 3 Coupling Unit
- X.216** T.V. Suppressors and Leads
- X.218** Lamp Lead with Tag Washer
- X.289** Collector Assembly with Lead and Spring
- X.664** Brush Spring and Insulator
- X.3122** Power Bogie

- X.3166** Power Bogie
- S.1011** Standard Screw
- S.1015** Pivot Pin for Power Bogie
- S.1017** Body/Chassis Securing Screw (R.55, R.155)
- S.1026** Body Securing Screw for R.253
- S.1038** Magnet Screw
- S.1055** Magnet Screw R.253
- S.1061** Roof Securing Screw for R.159
- S.1070** Coupling Screw ($\frac{3}{16}$ ")
- S.2271** Collector Securing Screw
- S.3011** Pivot Pin Washer (R.55, R.155)
- S.3120** Brush Gear Diaphragm
- S.3121** Brush Gear Return Spring
- S.3127** Spring Clip
- S.3142** Lamp Diaphragm

- S.3184** Lamp Shield
- S.3368** Collector Spring
- S.4035** Pivot Bracket
- S.4044** Top Mounting Bracket
- S.4063** Main Frame Casting
- S.5096** Thrust Ball
- S.5099** Headlamp Bulb
- S.5104** Spherical Bearing
- S.5108** Felt Lubricating Pad
- S.5141** Pole Piece
- S.5147** Magnet
- S.5271** Headlamp Sleeve
- S.5376** Pilot for R.55
- S.5377** Pilot for R.159
- S.5378** Pilot for R.155
- S.6882** Plastic Plug

For Non-powered Bogies see Service Sheet No. 54.

Modifications are made to Tri-ang Hornby models from time to time. If a spare part is required which does not coincide with the illustration, a full description should be given and, if necessary, a sketch or sample should accompany the order. We do not undertake to supply separate components for the parts listed with an X prefix, unless a separate S part number is shown.