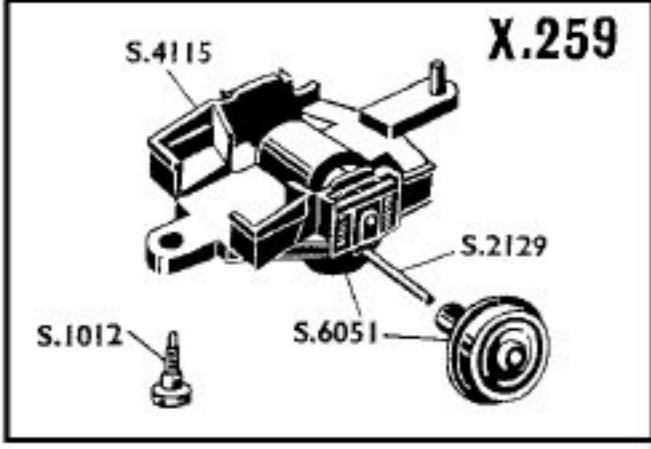
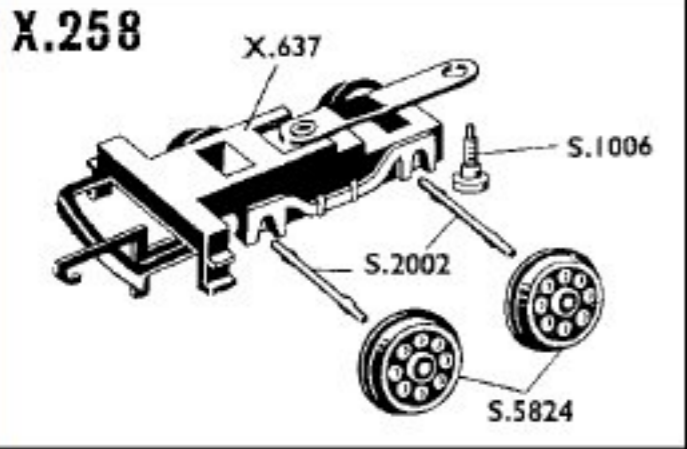
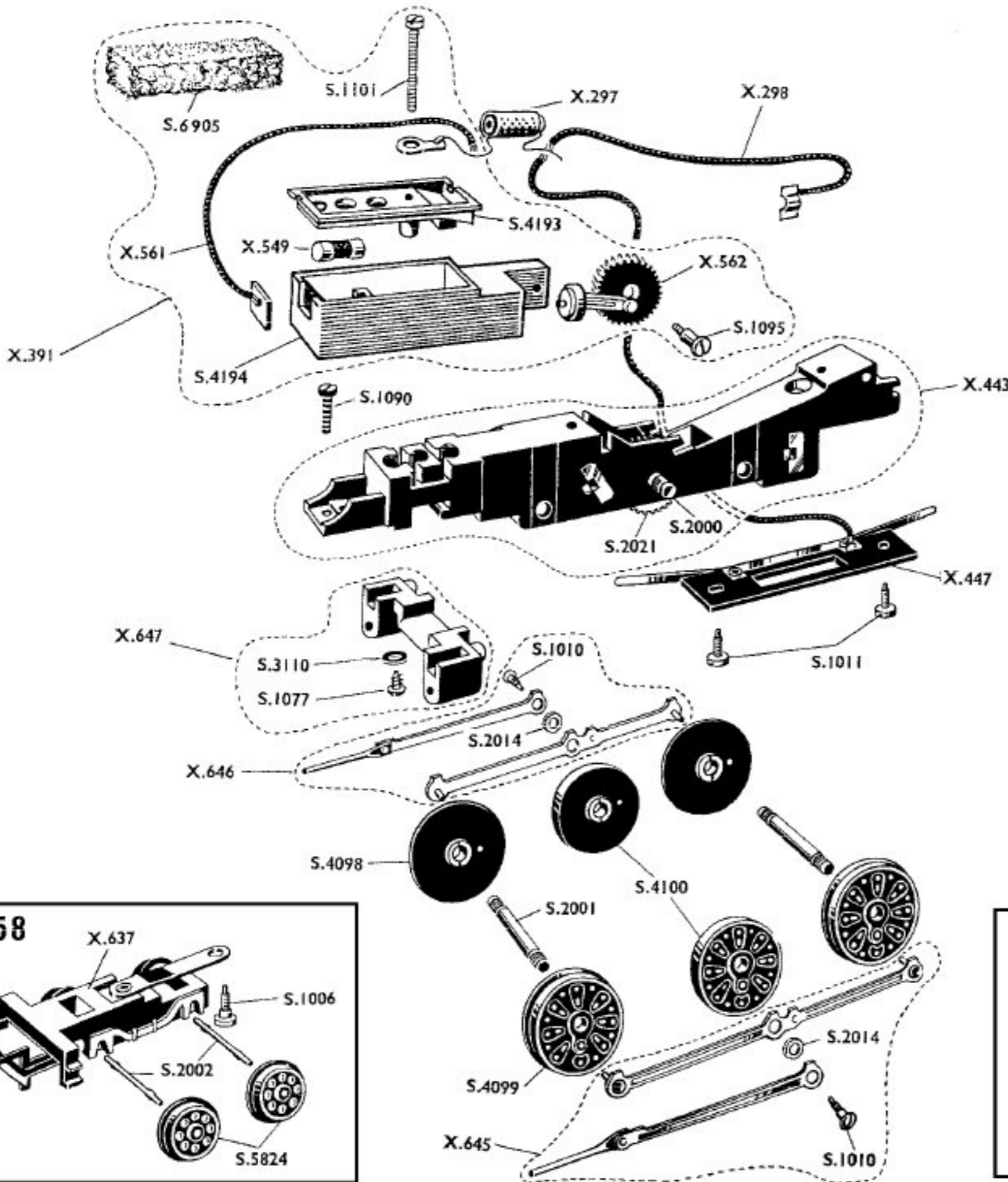


CHASSIS, BOGIE & PONY TRUCK - R.356S

As produced after 1st June, 1964

NOTE: Traction Magnets and Steel-tired Driving Wheels provide this chassis with Tri-ang Hornby



- X.258 Locomotive Bogie
- X.259 Pony Truck
- X.297 T.V. Suppressor and Tag Washer
- X.298 Brush Lead and Clip
- X.391 Synchrosmoke Unit Type 1 complete
- X.443 Chassis Assembly
- X.447 Collector Assembly with Lead
- X.549 Element
- X.561 Element Contact and Lead
- X.562 Worm Wheel and Piston Assembly
- X.637 Bogie Frame Assembly
- X.645 L/H Valve Gear

- X.646 R/H Valve Gear
- X.647 Cylinder Block with Screw and Washer
- S.1006 Bogie Securing Screw
- S.1010 Coupling Rod Screw
- S.1011 Standard Screw
- S.1012 Pony Truck Securing Screw
- S.1077 Cylinder Block Securing Screw
- S.1090 Body Securing Screw
- S.1101 Smoke Unit Securing Screw
- S.2000 Knurled Driving Axle
- S.2001 Plain Driving Axle
- S.2002 Double Splined Axle
- S.2104 Distance Piece

- S.2021 Worm Wheel (40 Teeth)
- S.2129 Plain Axle
- S.3110 8BA Washer
- S.4098 Flanged Bushed Driving Wheel
- S.4099 Flanged Unbushed Driving Wheel
- S.4100 Flangeless Bushed Driving Wheel
- S.4115 Pony Truck Frame
- S.4193 Cover Plate
- S.4194 Smoke Unit Casting
- S.5824 Bogie Wheel
- S.6051 Pony Truck Wheel
- S.6905 Fibre Wad (large)

For Motor see Service Sheet No. 51

Modifications are made to Tri-ang Hornby models from time to time. If a spare part is required which does not coincide with the illustration, a full description should be given and, if necessary, a sketch or sample should accompany the order. We do not undertake to supply separate components for the parts listed with an X prefix unless a separate S part number is shown.

PRINTED IN ENGLAND