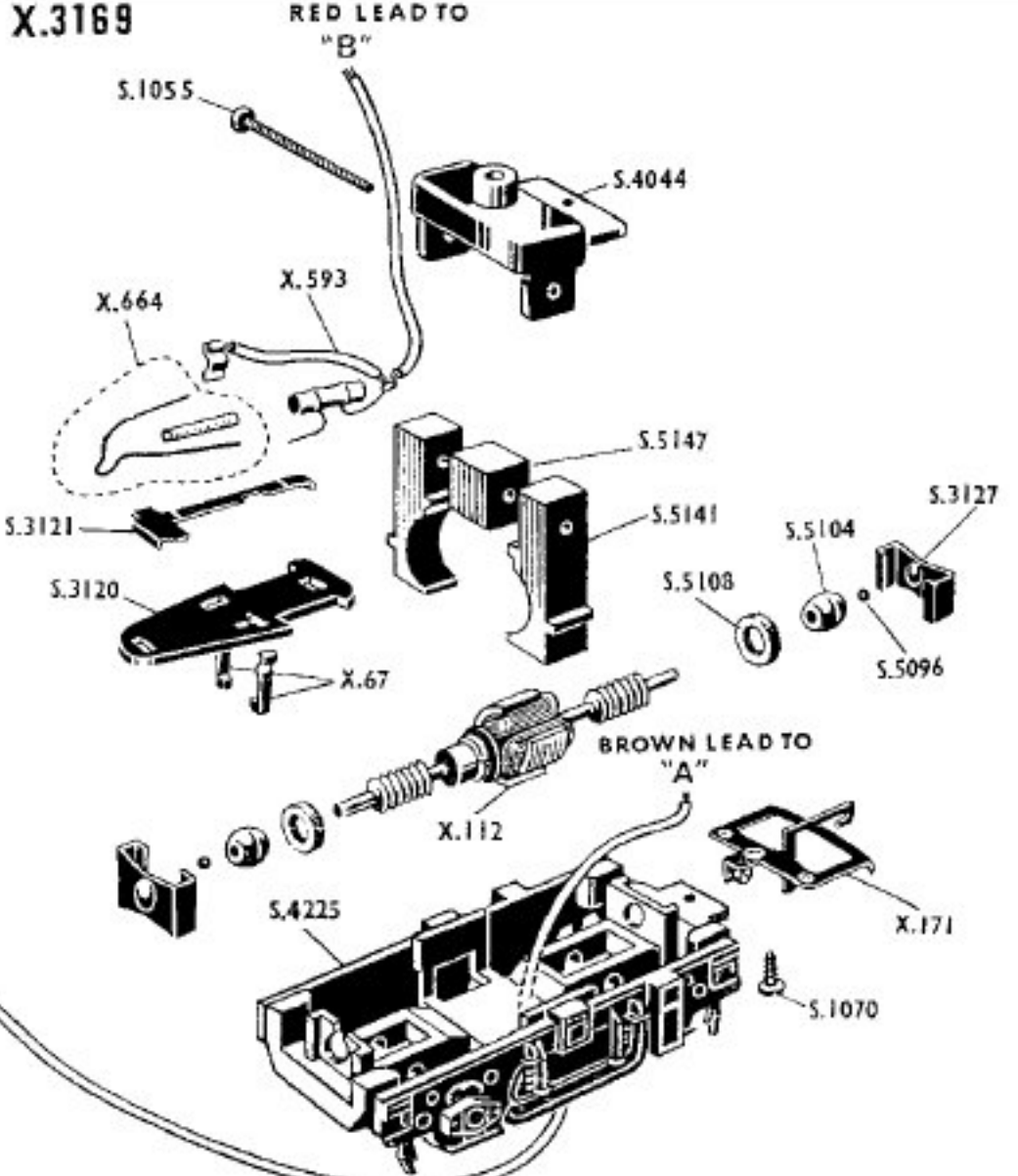
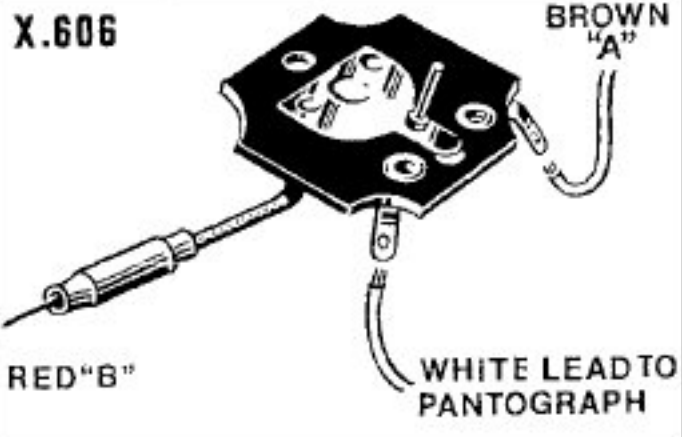
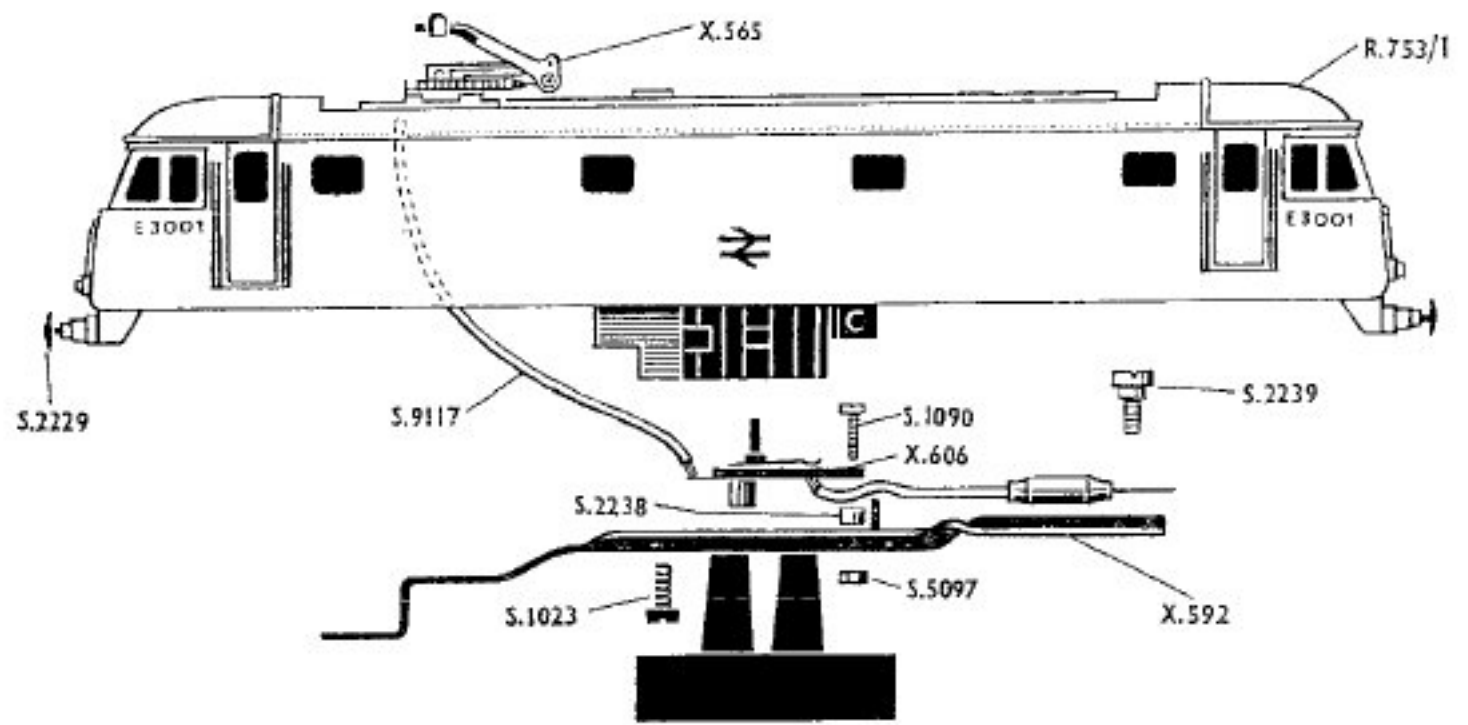
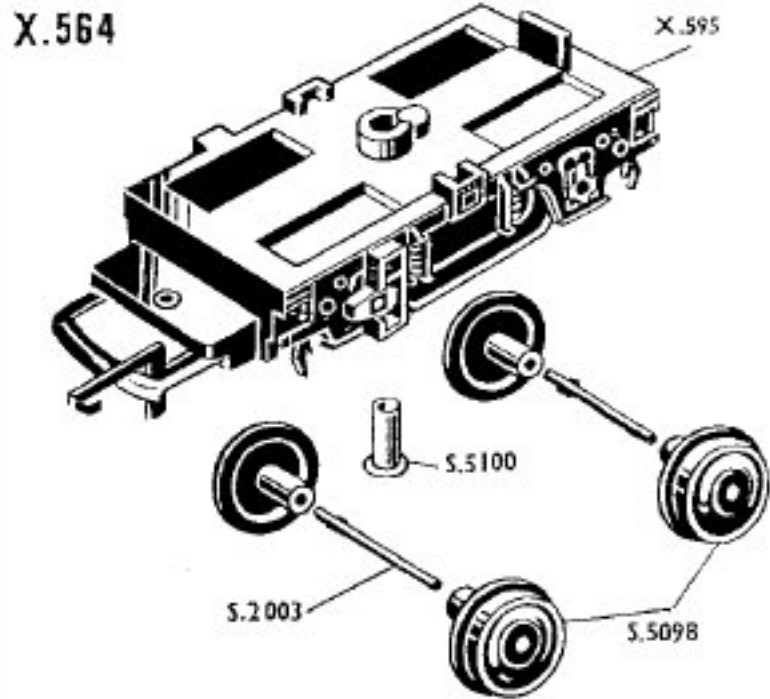
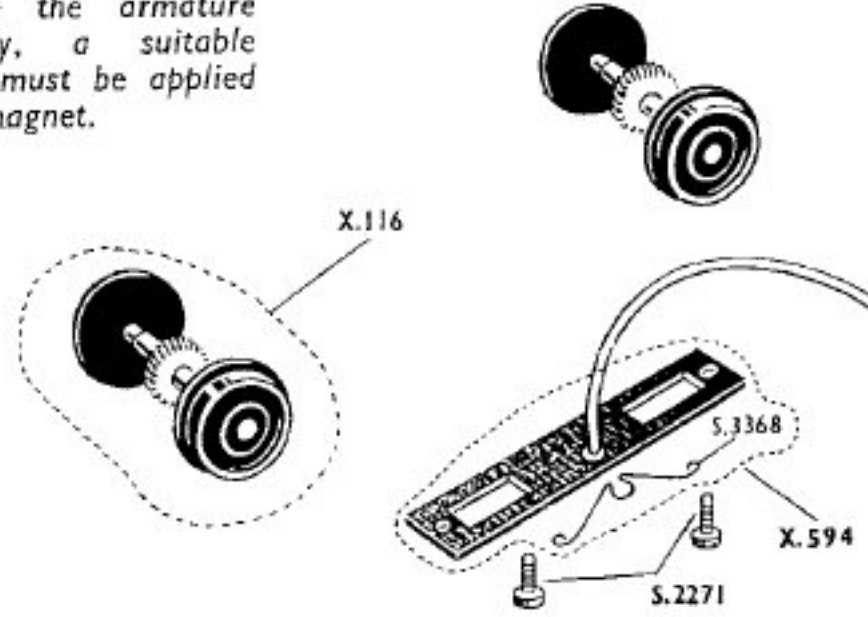


LOCOMOTIVE - R.753

As produced after December, 1967



NOTE: To avoid loss of magnetism when withdrawing the armature assembly, a suitable keeper must be applied to the magnet.



- R.753/1** Locomotive Body (complete with Windows, Buffers and Route Labels)
- X.67** Brush Arm and Brush
- X.112** Armature Assembly (including commutator and worms)
- X.116** Axle Assembly
- X.171** Mk. 3 Coupling Unit
- X.564** Non-powered Bogie
- X.565** Pantograph
- X.592** Chassis and Weight Assembly
- X.593** T.V. Suppressor with Lead and Brush Clip
- X.594** Collector Assembly (with spring and lead)

- X.595** Non-powered Bogie Frame Assembly
- X.606** Switch Assembly
- X.664** Brush Spring and Insulator
- X.3169** Power Bogie
- S.1023** Body Securing Screw
- S.1055** Magnet Screw
- S.1070** Coupling Screw ($\frac{3}{16}$ ")
- S.1090** Switch Securing Screw
- S.2003** Standard Rolling Stock Axle
- S.2229** Large Round Headed Buffer
- S.2238** Spacing Collar
- S.2239** Power Bogie Pivot Pin
- S.2271** Collector Securing Screw
- S.3120** Brush Gear Diaphragm

- S.3121** Brush Gear Return Spring
- S.3127** Spring Clip
- S.3368** Collector Spring
- S.4044** Top Mounting Bracket
- S.4225** Power Bogie Main Frame
- S.5096** Thrust Ball
- S.5097** Nut for Switch Assembly
- S.5098** Wheel for Non-powered Bogie
- S.5100** Bogie Eyelet
- S.5104** Spherical Bearing
- S.5108** Felt Lubricating Pad
- S.5141** Pole Piece
- S.5147** Magnet
- S.9117** Pantograph Lead

Modifications are made to Tri-ang Hornby models from time to time. If a spare part is required which does not coincide with the illustration, a full description should be given and, if necessary, a sketch or sample should accompany the order. We do not undertake to supply separate components for the parts listed with an X prefix, unless a separate S part number is shown.

PRINTED IN ENGLAND