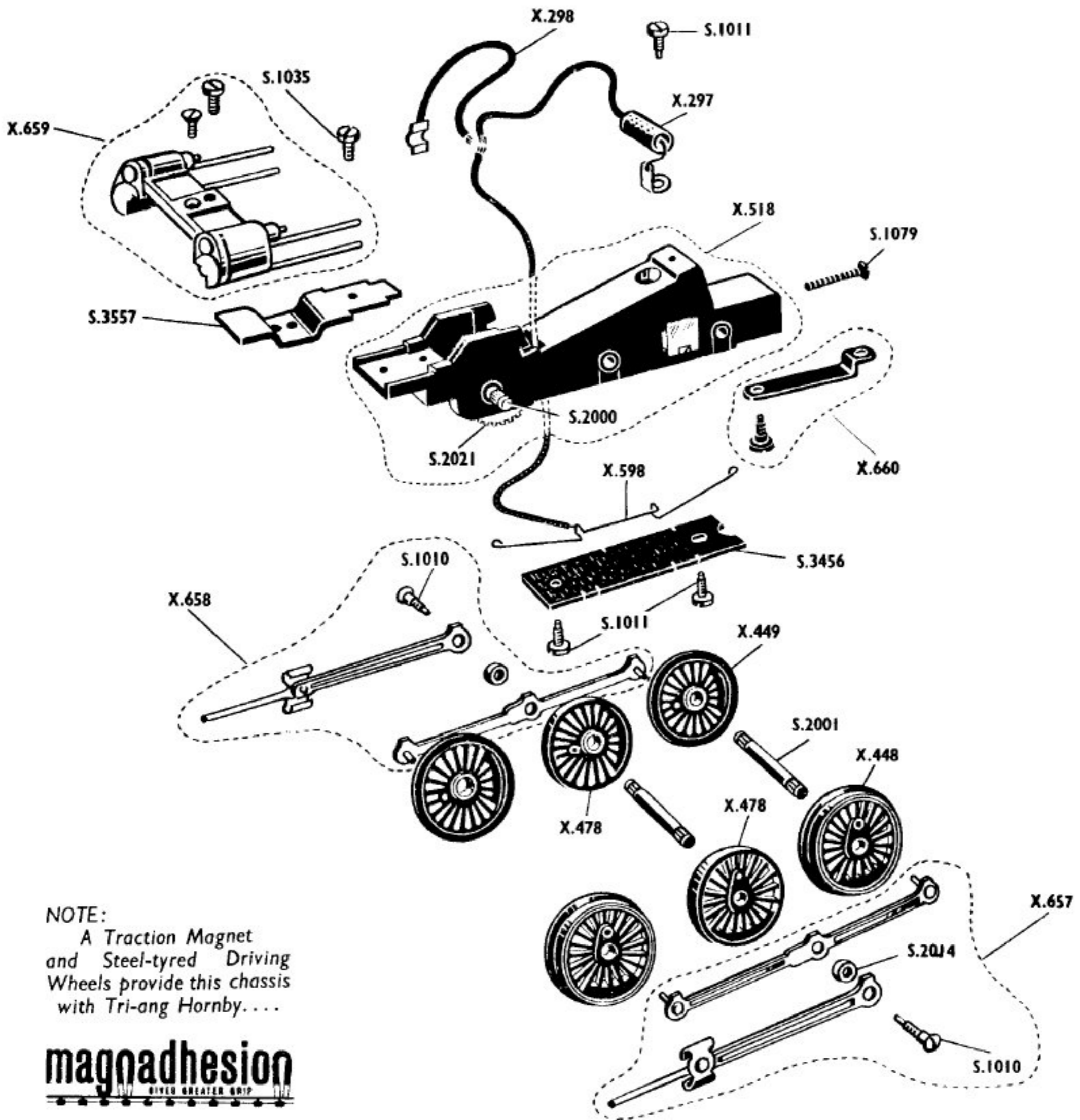


**CHASSIS—R.759**



**NOTE:**  
A Traction Magnet and Steel-tired Driving Wheels provide this chassis with Tri-ang Hornby....



- X.297** T.V. Suppressor and Tag Washer
- X.298** Brush Lead and Clip
- X.448** Flanged Unbushed Driving Wheel
- X.449** Flanged Bushed Driving Wheel
- X.478** Flangeless Bushed Driving Wheel

- X.518** Chassis Assembly (including S.2000, S.2021)
- X.598** Collector Spring and Lead
- X.657** L/H Valve Gear Assembly
- X.658** R/H Valve Gear Assembly
- X.659** Cylinder Block Assembly
- X.660** Rear Coupling Assembly
- S.1010** Coupling Rod Screw
- S.1011** Securing Screw

- S.1035** Chassis Extension Screw
- S.1079** Locomotive Body Securing Screw
- S.2000** Knurled Driving Axle
- S.2001** Plain Driving Axle
- S.2014** Distance Piece
- S.2021** Worm Wheel (40 Teeth)
- S.3456** Collector Diaphragm
- S.3557** Chassis Extension

For Motor and Bogie see Service Sheets No'd. 51 and 53 respectively

Modifications are made to Tri-ang Hornby models from time to time. If a spare part is required which does not coincide with the illustration, a full description should be given and, if necessary, a sketch or sample should accompany the order. We do not undertake to supply separate components for the parts listed with an X prefix, unless a separate S part number is shown.