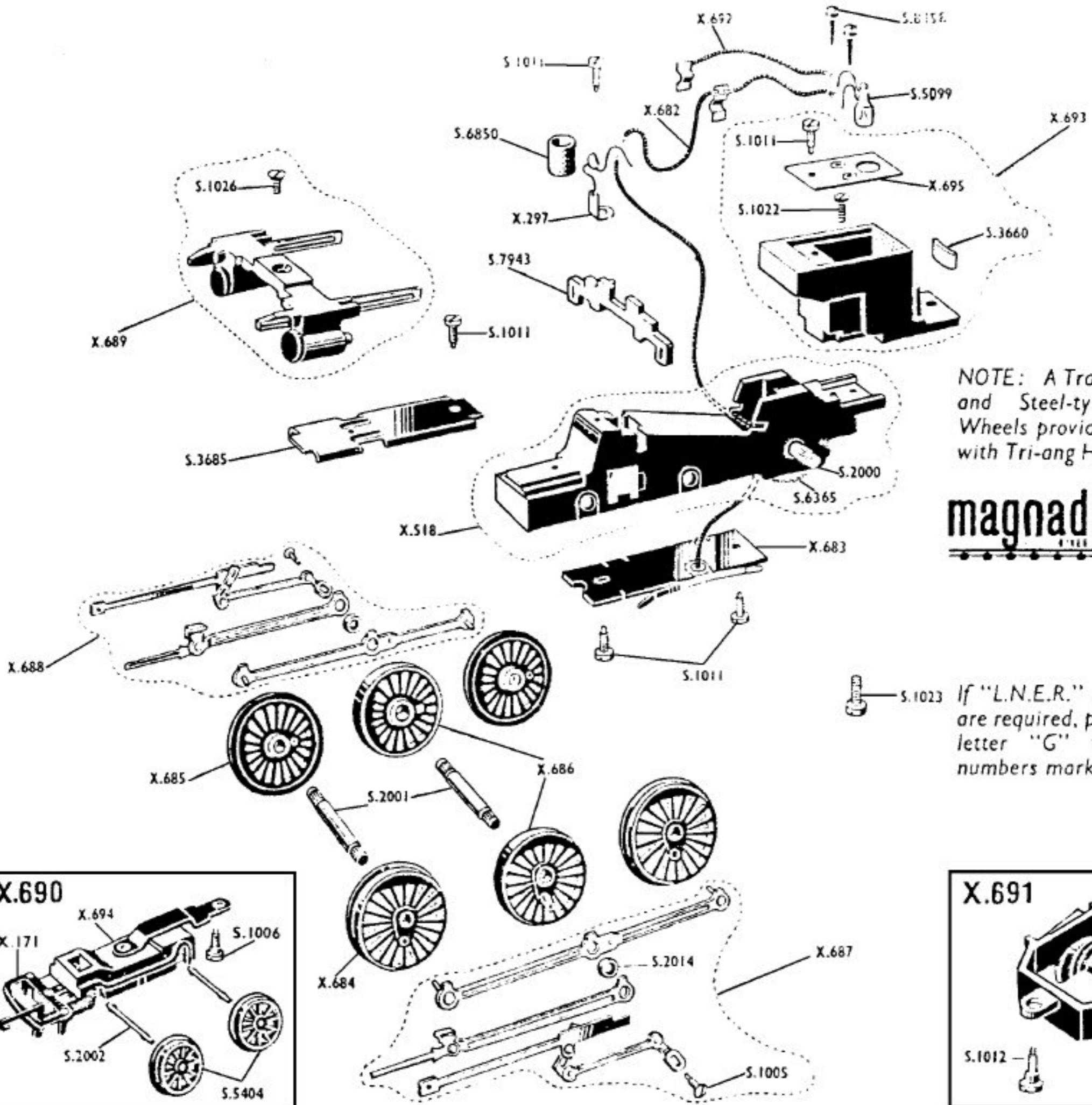


CHASSIS, BOGIE & PONY TRUCK - R.850 & R.855

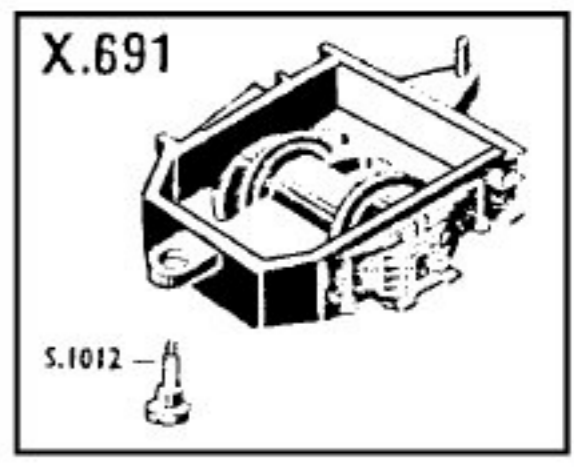
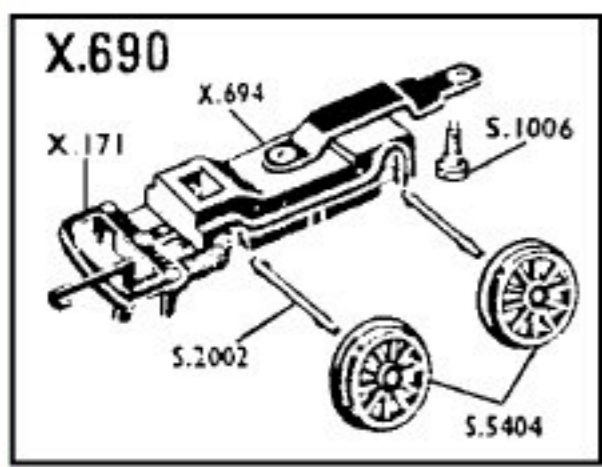
As produced after June, 1969



NOTE: A Traction Magnet and Steel-tired Driving Wheels provide this chassis with Tri-ang Hornby

magnadhesion
WHEELS CREATED BY IT

If "L.N.E.R." pattern parts are required, please add the letter "G" to the part numbers marked *.



- X.171 MK. 3 Coupling Unit.
- X.297 T.V. Suppressor and Tag Washer.
- X.518 Chassis Assembly.
- X.682 Brush Lead, Clip and Firebox Lead.
- X.683 Collector Assembly.
- *X.684 Flanged Unbushed Driving Wheel.
- *X.685 Flanged Bushed Driving Wheel.
- *X.686 Flangeless Bushed Driving Wheel.
- X.687 L/H Valve Gear.

- X.688 R/H Valve Gear.
- *X.689 Cylinder Block and Screw.
- *X.690 Front Bogie.
- X.691 Pony Truck.
- X.692 Firebox Lead and Brush Clip.
- X.693 Firebox.
- X.694 Bogie Frame Assembly.
- X.695 Firebox Cover.
- S.1005 Gear Screw.
- S.1006 Bogie Securing Screw.
- S.1011 Standard Screw.
- S.1012 Pony Truck Screw.
- S.1022 Firebox Screw.
- S.1023 Body Screw.

- S.1026 Cylinder Block Screw.
- S.2000 Knurled Driving Axle.
- S.2001 Plain Driving Axle.
- S.2002 Bogie Axle.
- S.2014 Distance Piece.
- S.3660 Firebox Window.
- S.3685 Chassis Extension.
- S.5099 Bulb
- *S.5404 Bogie Wheel.
- S.6365 Worm Wheel.
- S.6850 Insulating Sleeve.
- S.7943 Motion Bracket.
- S.8158 Plastic Plug.

For Motor see Service Sheet No. 51.

Modifications are made to Tri-ang Hornby models from time to time. If a spare part is required which does not coincide with the illustration, a full description should be given and, if necessary, a sketch or sample should accompany the order. We do not undertake to supply separate components for the parts listed with an X prefix, unless a separate S part number is shown.

PRINTED IN ENGLAND