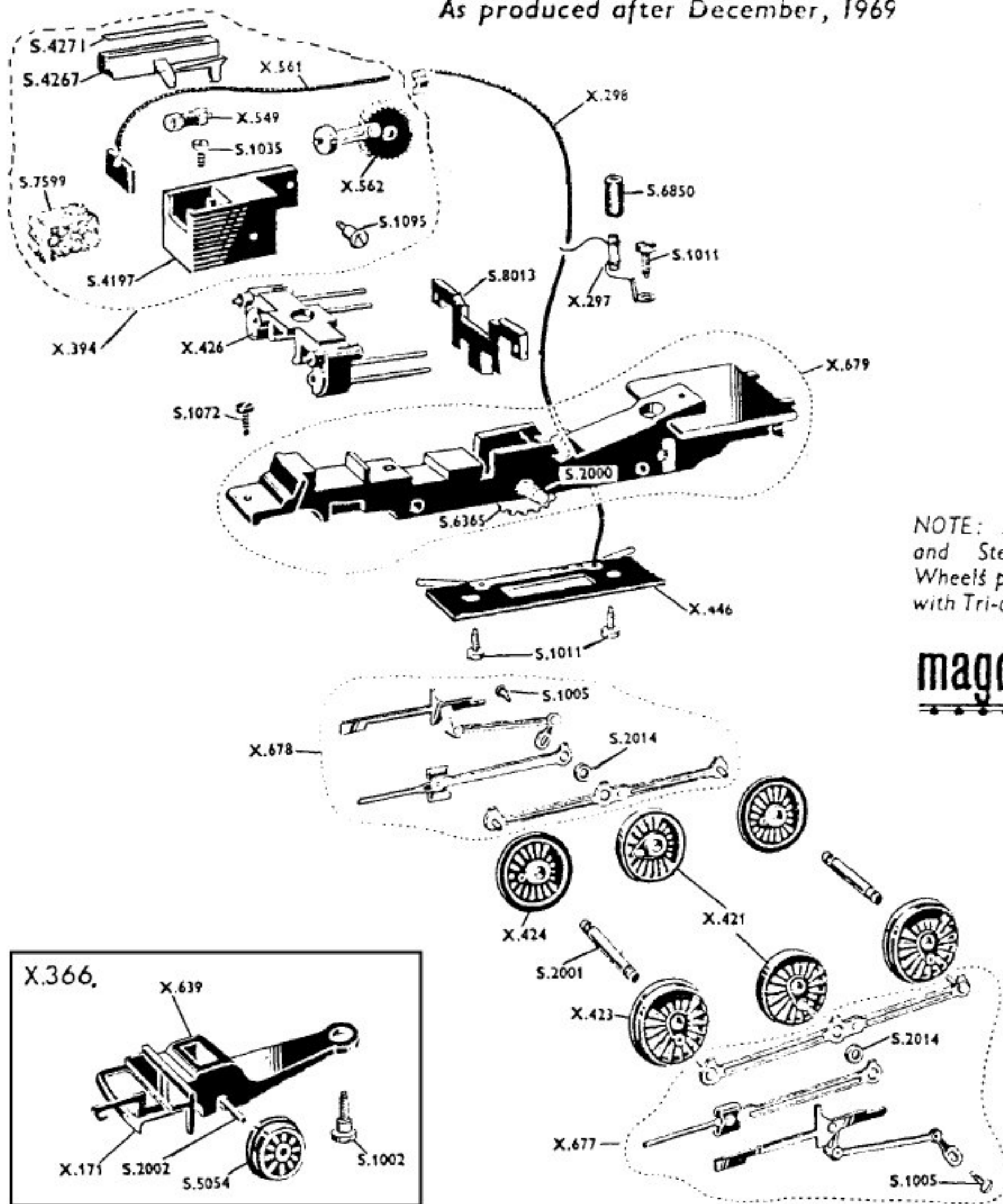


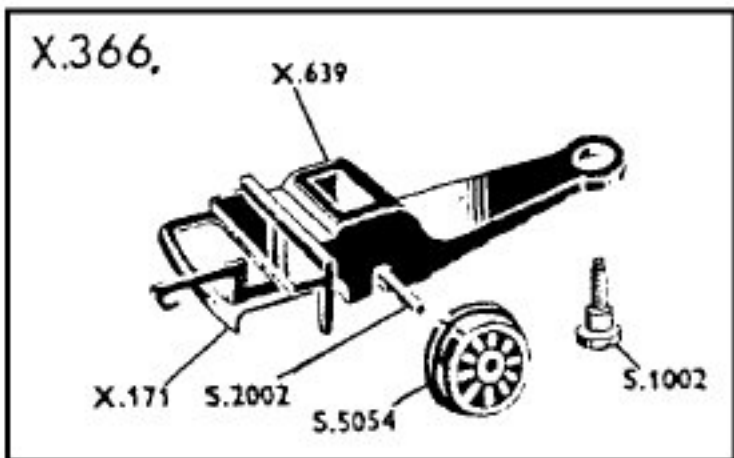
# CHASSIS R.59S

As produced after December, 1969



NOTE: A Traction Magnet and Steel-tired Driving Wheels provide this chassis with Tri-ang Hornby . . . .

**magnadhesion**  
FOR GREATER GRIP



- X.171 Mk. 3 Coupling Unit
- X.297 T.V. Suppressor and Tag Washer
- X.298 Brush Lead and Clip
- X.366 Pony Truck
- X.394 Synchro-Smoke Unit type 4
- X.421 Flangeless Bushed Driving Wheel with Crank Pin
- X.423 Flanged Unbushed Driving Wheel
- X.424 Flanged Bushed Driving Wheel
- X.426 Cylinder Block
- X.446 Collector Assembly with Lead
- X.549 Synchro-Smoke Element

- X.561 Element Contact and Lead
- X.562 Worm Wheel and Piston Assembly
- X.639 Pony Truck Frame
- X.677 L/H Valve Gear Assembly
- X.678 R/H Valve Gear Assembly
- X.679 Chassis Assembly
- S.1002 Pony Truck Screw
- S.1005 Gear Screw
- S.1011 Standard Screw
- S.1035 Smoke Unit Securing Screw
- S.1072 Body Securing Screw

- S.1095 Pivot Screw
- S.2000 Knurled Driving Axle
- S.2001 Plain Driving Axle
- S.2002 Double Splined Axle
- S.2014 Distance Piece
- S.4197 Smoke Unit Casting
- S.4267 Smoke Unit Cover
- S.4271 Smoke Unit Cover Plate
- S.5054 Bogie Wheel
- S.6365 Worm Wheel
- S.6850 Insulating Sleeve
- S.7599 Fibre Wad
- S.8013 Motion Bracket

For Motor see Service Sheet No. 51

Modifications are made to Tri-ang Hornby models from time to time. If a spare part is required which does not coincide with the illustration, a full description should be given and, if necessary, a sketch or sample should accompany the order. We do not undertake to supply separate components for the parts listed with an X prefix, unless a separate S part number is shown.

PRINTED IN ENGLAND