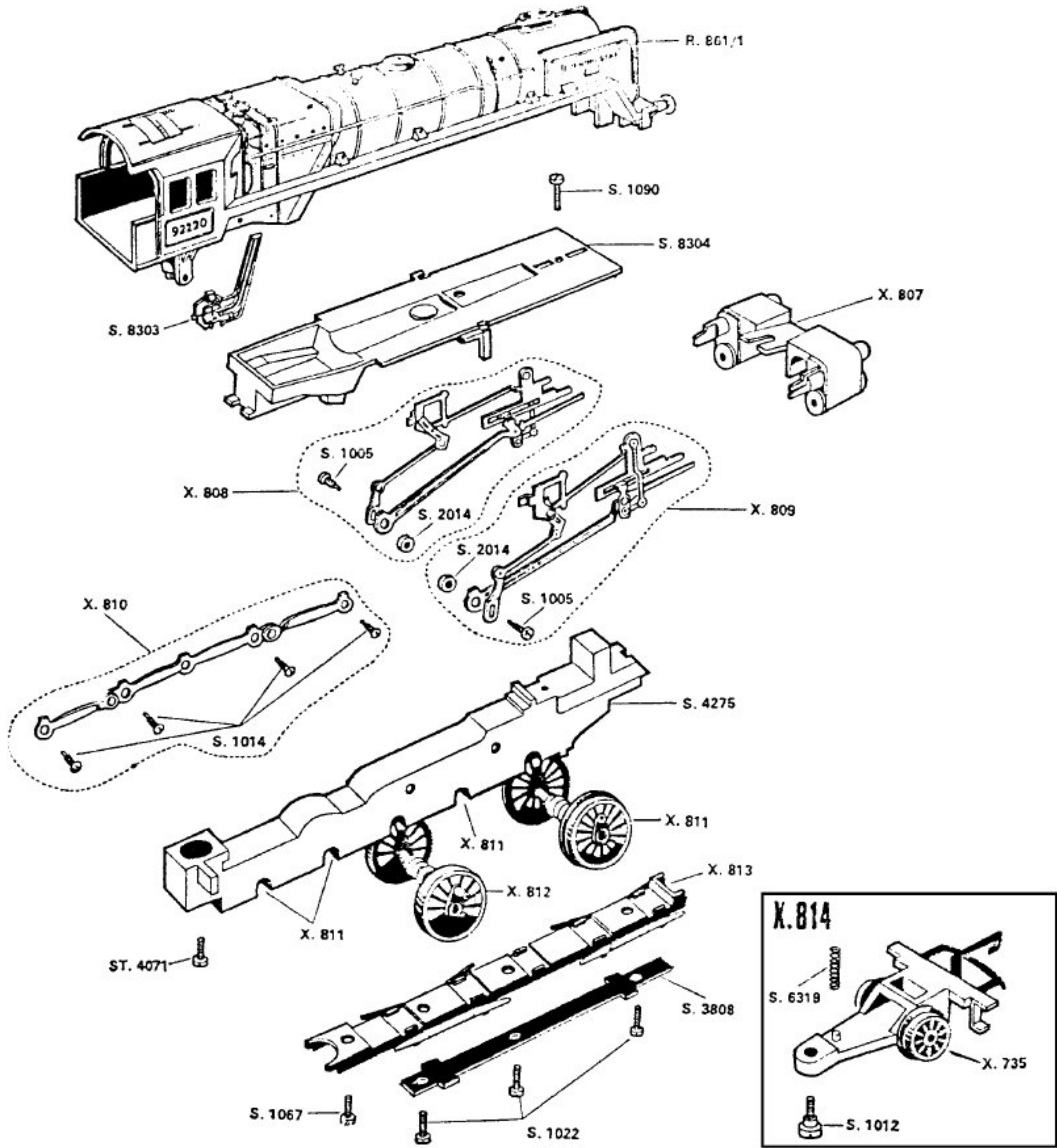


**R.861 'EVENING STAR' LOCOMOTIVE**



R.861/1	Body	X.813	Collector Plate Assembly	S.2014	Distance Piece
X.735	Wheel Assembly	X.814	Pony Truck	S.3808	Collector Retaining Strip
X.807	Cylinder Block	S.1005	Gear Screw	S.4275	Chassis
X.808	L/H Valve Gear Assembly	S.1012	Pony Truck Screw	S.6319	Pony Truck Spring
X.809	R/H Valve Gear Assembly	S.1014	Coupling Rod Screw	S.8303	Pipework
X.810	Coupling Rod Assembly	S.1022	Collector Plate Screw	S.8304	Motion Plate
X.811	Flanged Wheels Assembly	S.1067	Body Securing Screw	ST.4071	Drawbar Screw
X.812	Flangeless Wheels Assembly	S.1090	Motion Plate Screw		

NOTE : 1) Wires from Locomotive Collectors to Tender are supplied with Tender parts, overleaf.  
 2) Bushed Driving Wheels are on LEFT side of Locomotive.  
 3) Separate parts within an "X" assembly are not supplied unless numbered in the illustration.

PRINTED IN ENGLAND