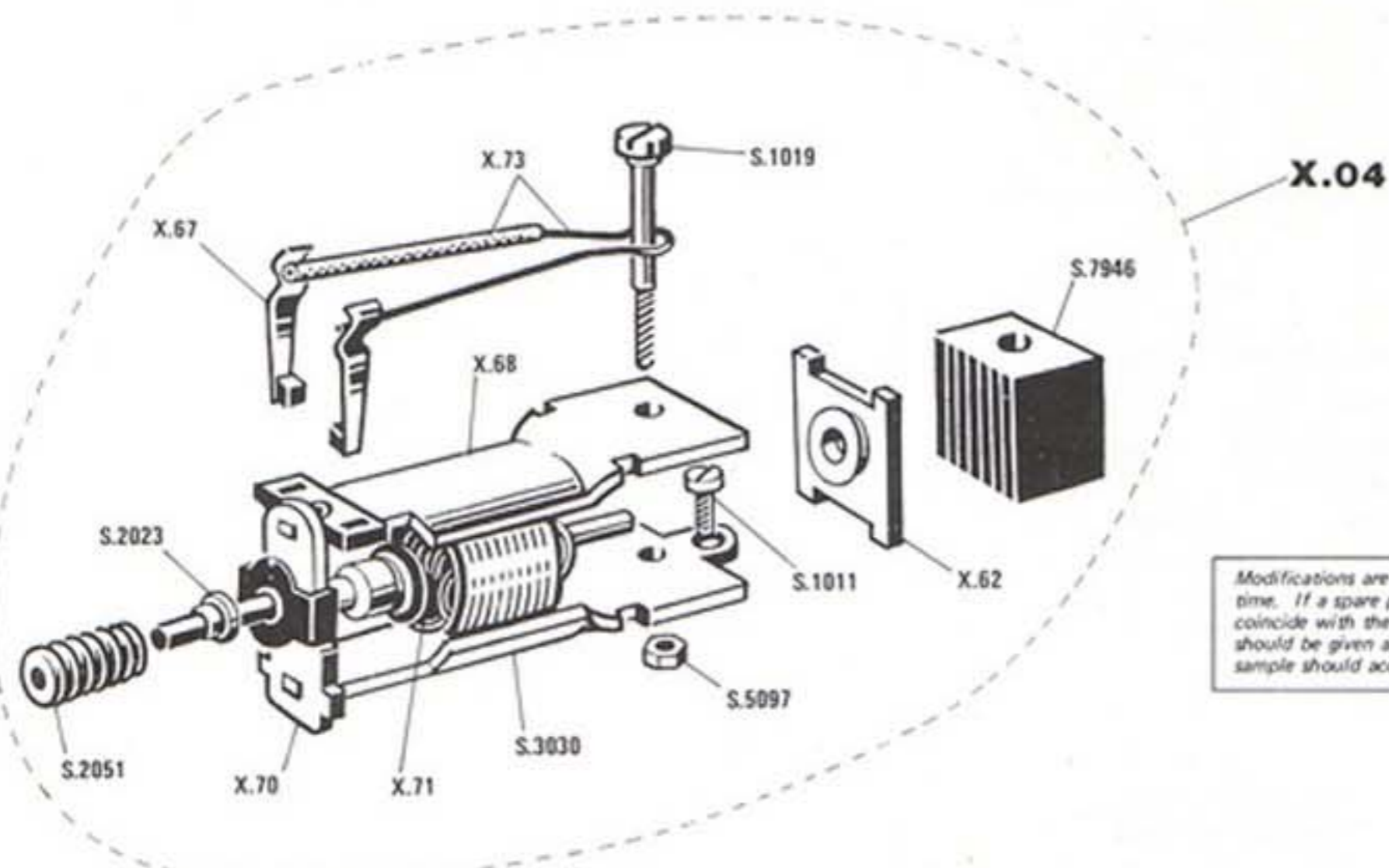
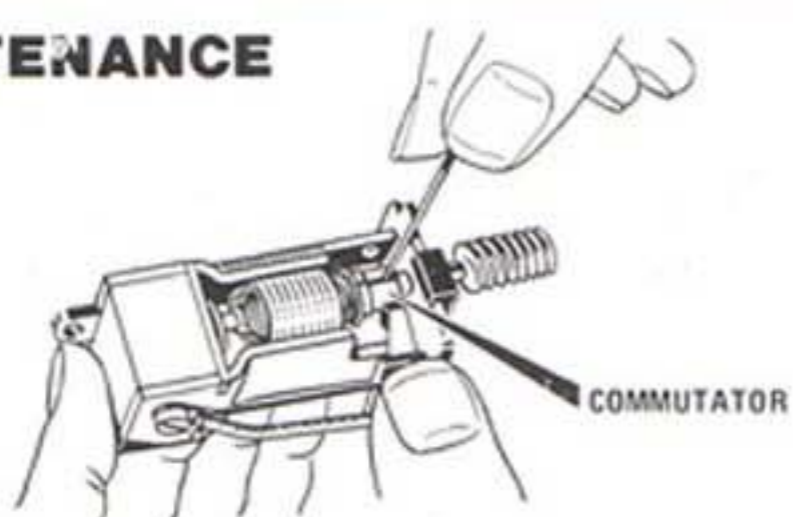


X.04 ELECTRIC MOTOR - 12 VOLTS D.C.



Modifications are made to models from time to time. If a spare part is required which does not coincide with the illustration, a full description should be given and, if necessary, a sketch or sample should accompany the order.

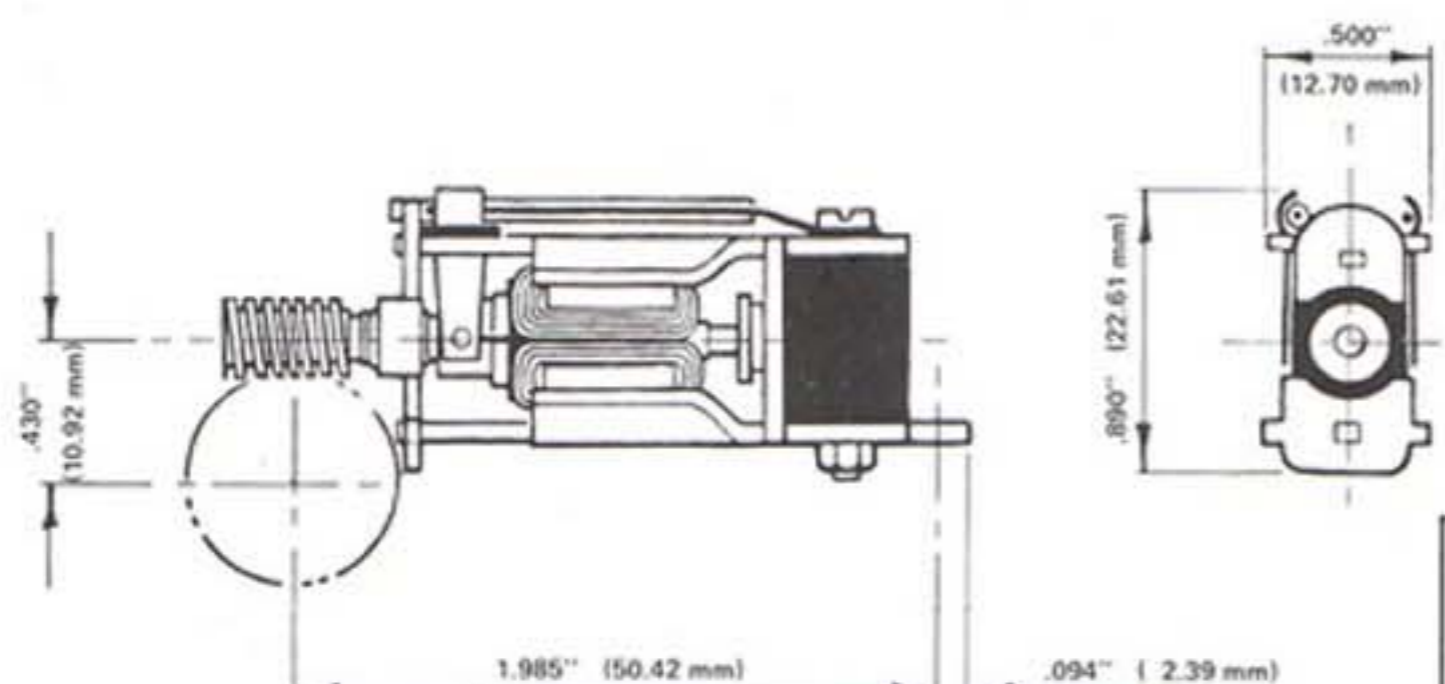
MAINTENANCE



With use, carbon from the brushes will accumulate in the commutator slots. These must be cleaned regularly as shown, using a pin or sharpened matchstick.

The armature shaft bearings are pre-lubricated. After prolonged use a touch of light oil where the shaft enters the bearings will be found to improve running. Do not get oil onto the face of the commutator.

TECHNICAL SPECIFICATION



VOLTAGE RANGE	3-13V.D.C.
CURRENT	0.25 AMPERES
ARMATURE SPEED	20,000 R.P.M.
POLES	3
MAGNET	ALCOMAX III
BEARINGS	OIL RETAINING BRONZE
ARMATURE DIAMETER	.500" (12.70mm)
SHAFT DIAMETER	.094" (2.39mm)
REDUCTION RATIO	20:1 or 13:1

ROVEX Service Centre Albert Street, Ramsgate, Kent, CT11 9HD, England.

SERVICE SHEET No. 81A
Issued September 1976
Supersedes Sheet No. 81

List of Parts

X.04 ELECTRIC MOTOR - 12 VOLTS D.C.

Cat. No.	Item	For Rovex internal use only
X.04	Motor Complete	R050-0981
X.62	Back Plate and Bearing	R050-0461
X.67	Brush Arm and Brush	R050-0791
X.68	Top Pole Piece with Diaphragm	R050-0331
X.70	Front Plate and Bearing	R050-0481
X.71	Armature and Commutator	R050-0822
X.73	Brush Spring and Insulator	-
S.1011	Motor Securing Screw	Z100-0070
S.1019	Magnet Screw	Z100-0130
S.2023	Thrust Bush	R050-0660
S.2051	Two Start Worm	R050-0670
S.3030	Bottom Pole Piece	R050-0310
S.5097	Magnet Nut	Z150-0050
S.7946	Magnet	R050-0760

Notes

ROVEX Service Centre
ALBERT STREET, RAMSGATE,
KENT, CT11 9HD, ENGLAND.