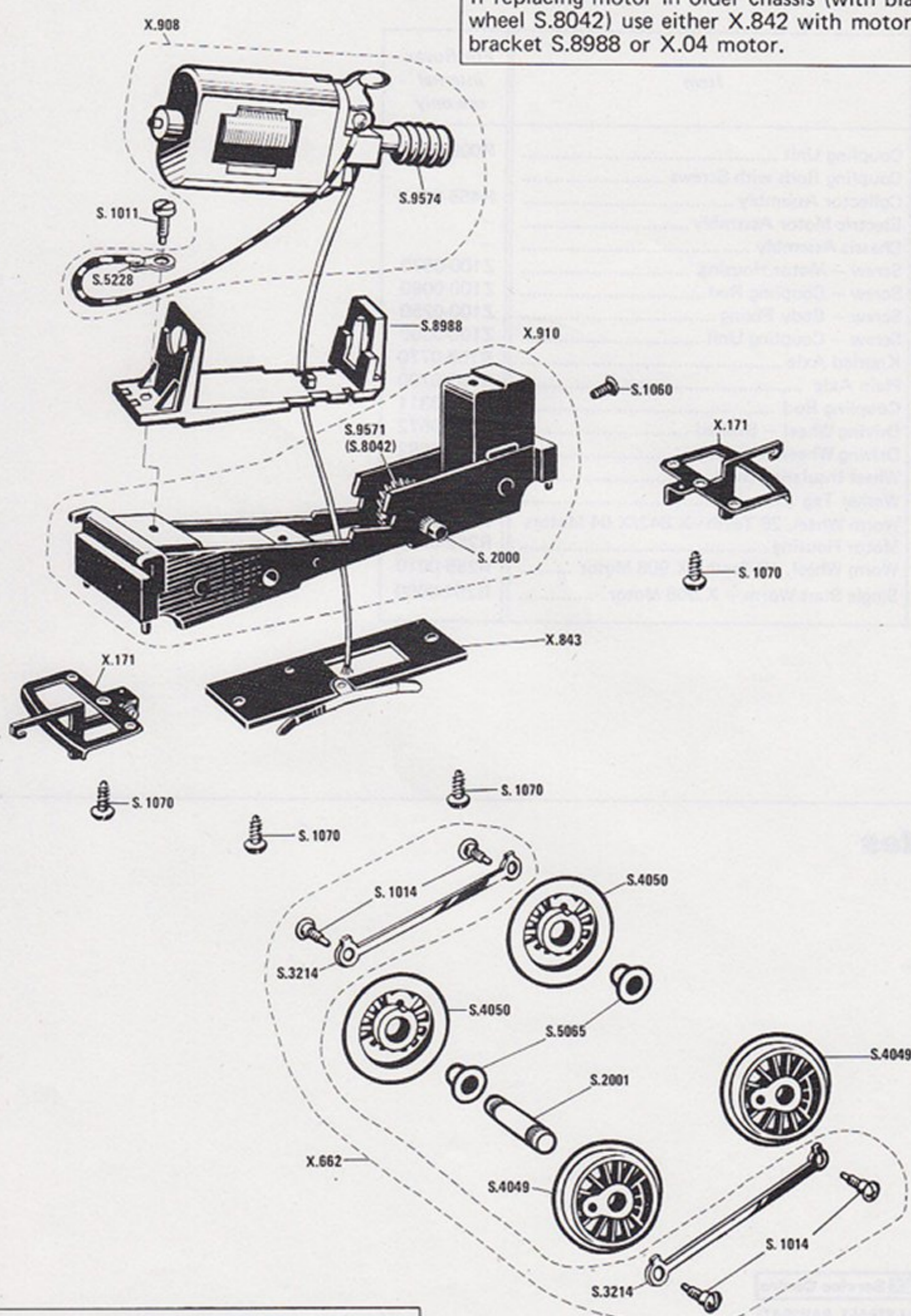


0-4-0 LOCOMOTIVE CHASSIS-R.255

Most parts also applicable to R.355, R.455 and R.755.

If replacing motor in older chassis (with black worm wheel S.8042) use either X.842 with motor mounting bracket S.8988 or X.04 motor.



Modifications are made to models from time to time. If a spare part is required which does not coincide with the illustration, a full description should be given and, if necessary, a sketch or sample should accompany the order.

ROVEX Service Centre Albert Street, Ramsgate, Kent, CT11 9HD, England.

SERVICE SHEET No.82A
Issued September 1976
Supersedes Sheet No.82

List of Parts

0-4-0 LOCOMOTIVE CHASSIS-R.255

Most parts also applicable to R.355, R.455 and R.755.

| Cat No. | Item | For Rovex internal use only |
|---------|--|-----------------------------|
| X.171 | Coupling Unit | R009-0322 |
| X.662 | Coupling Rods with Screws | - |
| X.843 | Collector Assembly | R455-0781 |
| X.908 | Electric Motor Assembly | - |
| X.910 | Chassis Assembly | - |
| S.1011 | Screw - Motor Housing | Z100-0070 |
| S.1014 | Screw - Coupling Rod | Z100-0090 |
| S.1060 | Screw - Body Fixing | Z100-0250 |
| S.1070 | Screw - Coupling Unit | Z100-0300 |
| S.2000 | Knurled Axle | R152-0770 |
| S.2001 | Plain Axle | R152-0790 |
| S.3214 | Coupling Rod | R455-0311 |
| S.4049 | Driving Wheel - Bushed | R455-0572 |
| S.4050 | Driving Wheel | R455-0582 |
| S.5065 | Wheel Insulating Bush | R355-0100 |
| S.5228 | Washer Tag | R107-0780 |
| S.8042 | Worm Wheel, 26 Teeth-X.842/X.04 Motors | R253-0020 |
| S.8988 | Motor Housing | R252-0020 |
| S.9571 | Worm Wheel, 18 Teeth-X.908 Motor | R255-0010 |
| S.9574 | Single Start Worm - X.908 Motor | R254-0660 |

Notes

ROVEX Service Centre
ALBERT STREET, RAMSGATE,
KENT, CT11 9HD, ENGLAND.