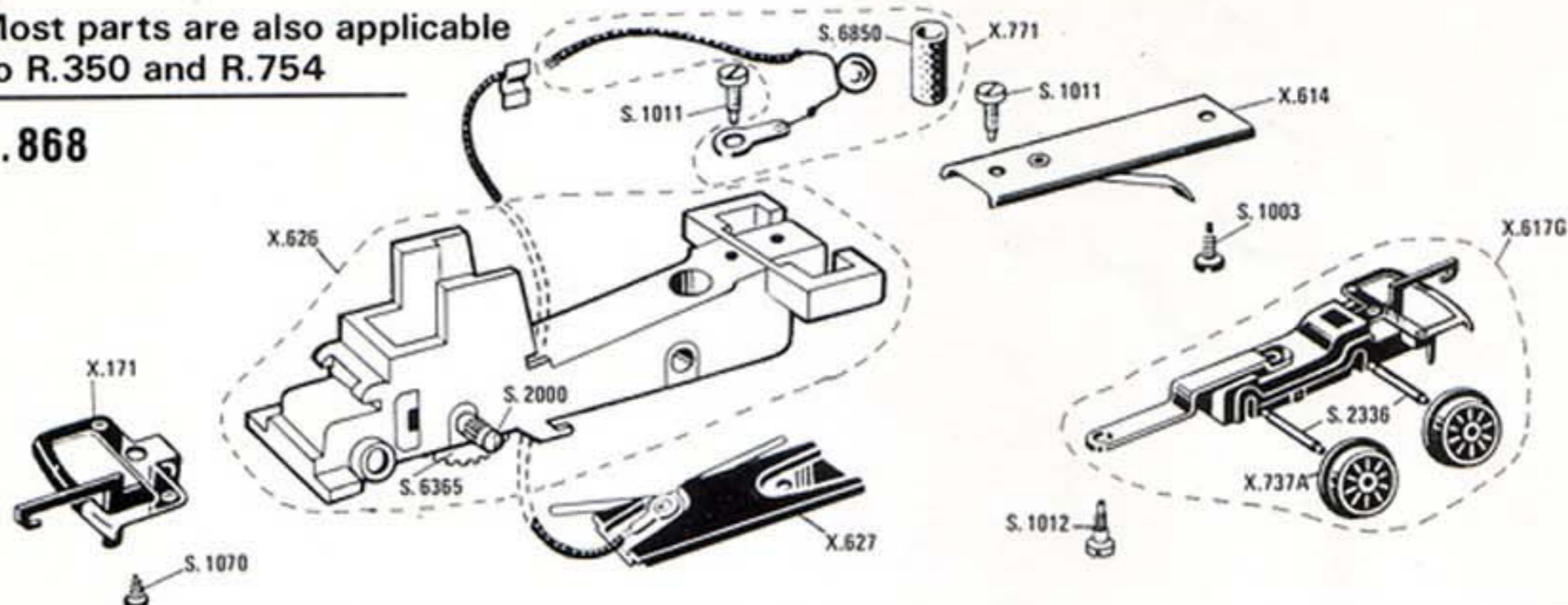


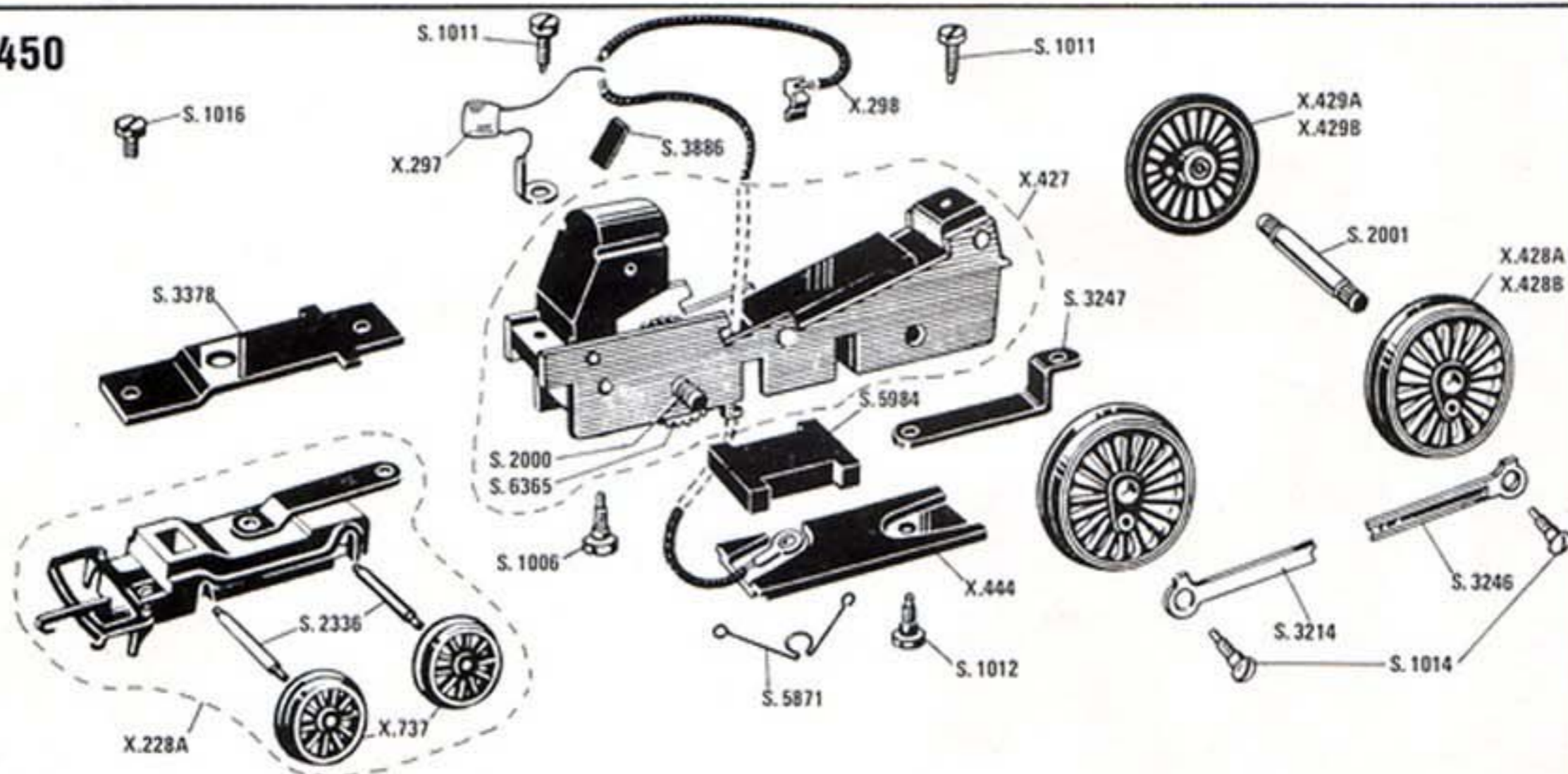
0-4-4 AND 4-4-0 LOCOMOTIVE CHASSIS - R.868 & R.450

Most parts are also applicable to R.350 and R.754

R.868



R.450



X.171	Coupling Unit	X.626	Chassis Assembly	S.2000	Knurled Driving Axle
X.228A	Front Bogie	X.627	Collector Assembly	S.2001	Plain Driving Axle
X.297	Capacitor	X.737	Bogie Wheel - Black	S.2336	Bogie Axle
X.298	Brush Lead	X.737A	Bogie Wheel - Green	S.3214	Coupling Rod (R.868)
X.427	Chassis Assembly	X.771	Capacitor Assembly	S.3246	" " (R.450)
X.428A	Driving Wheel - Green	S.1003	Body Screw	S.3247	Drawbar
X.428B	Driving Wheel - Black	S.1006	Bogie Screw	S.3378	Chassis Extension
X.429A	Driving Wheel - Green	S.1011	Standard Screw	S.3886	Insulator
X.429B	Driving Wheel - Black	S.1012	Bogie Screw	S.5871	Collector Spring
X.444	Diaphragm and Lead	S.1014	Coupling Rod Screw	S.5984	Traction Magnet
X.614	Extension and Spring	S.1016	Body Screw	S.6365	Worm Wheel
X.617G	Rear Bogie	S.1070	Coupling Screw	S.6850	Insulating Sleeve

For motor see Service Sheet No.81

Magnadhesion is fitted to these models.

Modifications are made to models from time to time. If a spare part is required which does not coincide with the illustration, a full description should be given and, if necessary, a sketch or sample should accompany the order.