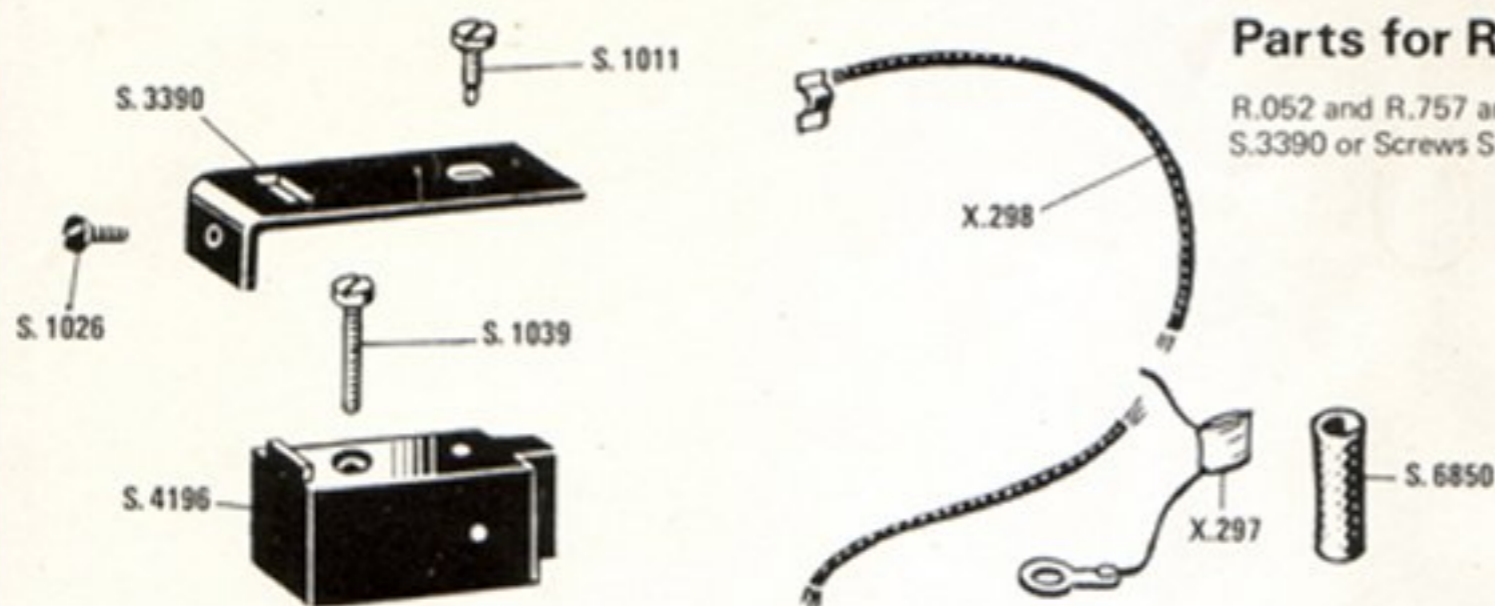


## O - 6 - 0 LOCOMOTIVE CHASSIS - R.051, R.052, R.152, R.452, R.757

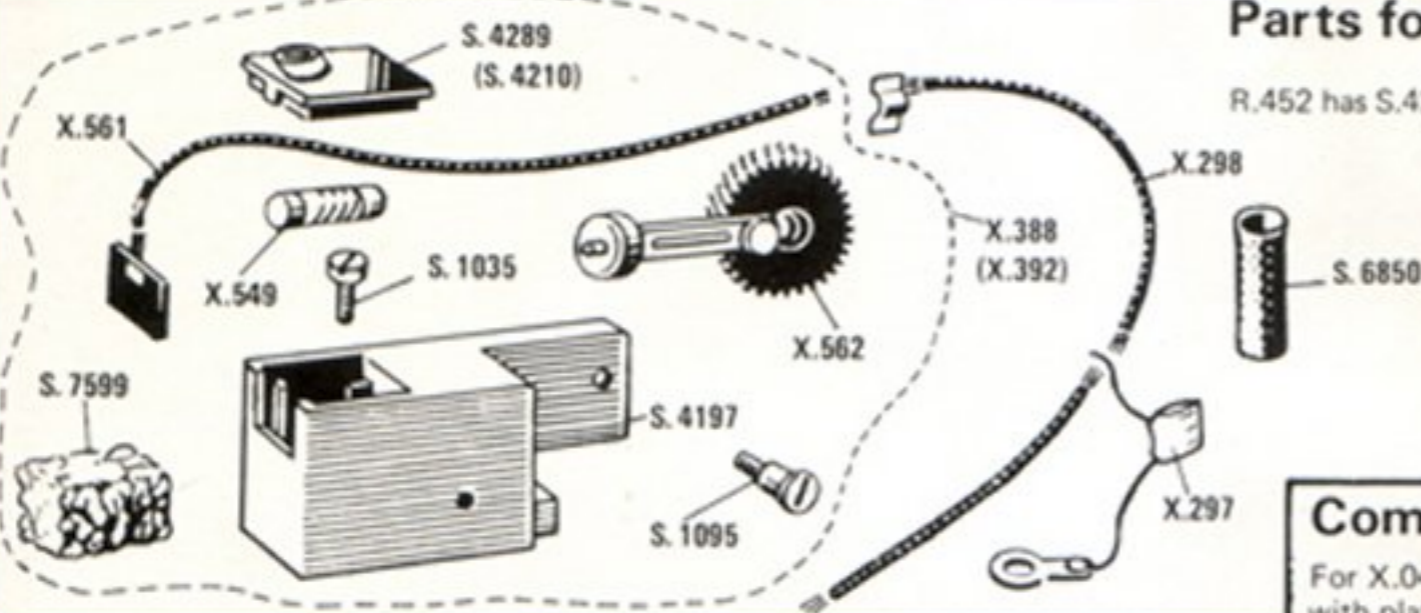
### Parts for R.152.

R.052 and R.757 are similar but do not have metal body fixing bracket S.3390 or Screws S.1011 and S.1026.



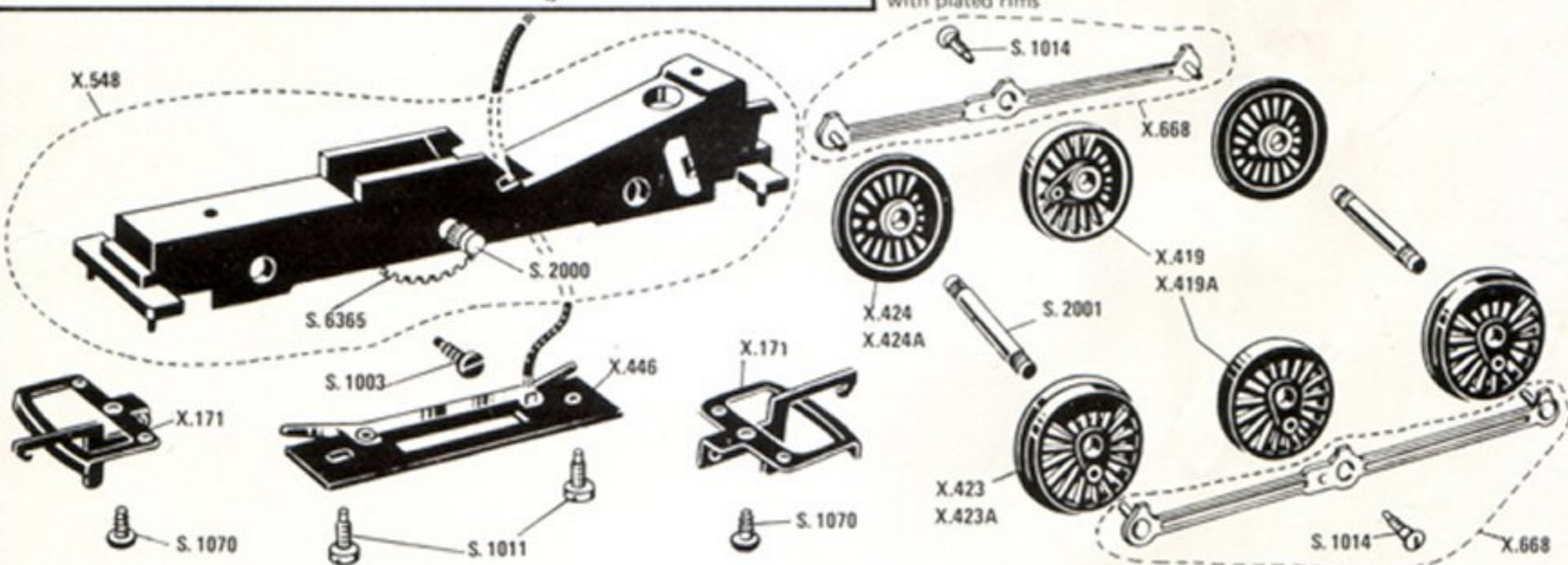
### Parts for R.051 and R.452.

R.452 has S.4210 cover plate instead of S.4289.



### Common parts for 0-6-0 Locomotives.

For X.04 Motor see Service Sheet No.81. R.051 and R.452 have wheels with plated rims



X.171	Coupling Unit	X.548	Chassis Assembly with Worm Wheel	S.1095	Pivot Screw
X.297	Suppressor Unit	X.549	Element	S.2000	Knurled Driving Axle
X.298	Brush Lead & Clip	X.561	Element Contact and Lead	S.2001	Plain Driving Axle
X.388	Smoke Generator Unit for R.051	X.562	Worm Wheel and Piston	S.3390	Body Fixing Bracket (R.152)
X.392	" " " R.452	X.668	Left & Right Coupling Rods & Screws	S.4196	Weight
X.419	Flangeless Bushed Wheel - Black	S.1003	Body fixing Screw	S.4197	Smoke Unit Casting
X.419A	" " " - Plated	S.1011	Screw	S.4210	Cover Plate (R.452)
X.423	Flanged Unbushed " - Black	S.1014	Coupling Rod Screw	S.4289	" (R.051)
X.423A	" " " - Plated	S.1026	Body Fixing Screw (R.152)	S.6365	Worm Wheel
X.424	Flanged Bushed " - Black	S.1035	Smoke Unit Fixing Screw	S.6850	Insulating Sleeve
X.424A	" " " - Plated	S.1039	Weight Fixing Screw	S.7599	Fibre Wad
X.446	Collector Assembly	S.1070	Coupling Screw		

For motor see Service Sheet No.81

Magnadhesion is fitted to these models.

*Modifications are made to models from time to time. If a spare part is required which does not coincide with the illustration, a full description should be given and, if necessary, a sketch or sample should accompany the order.*