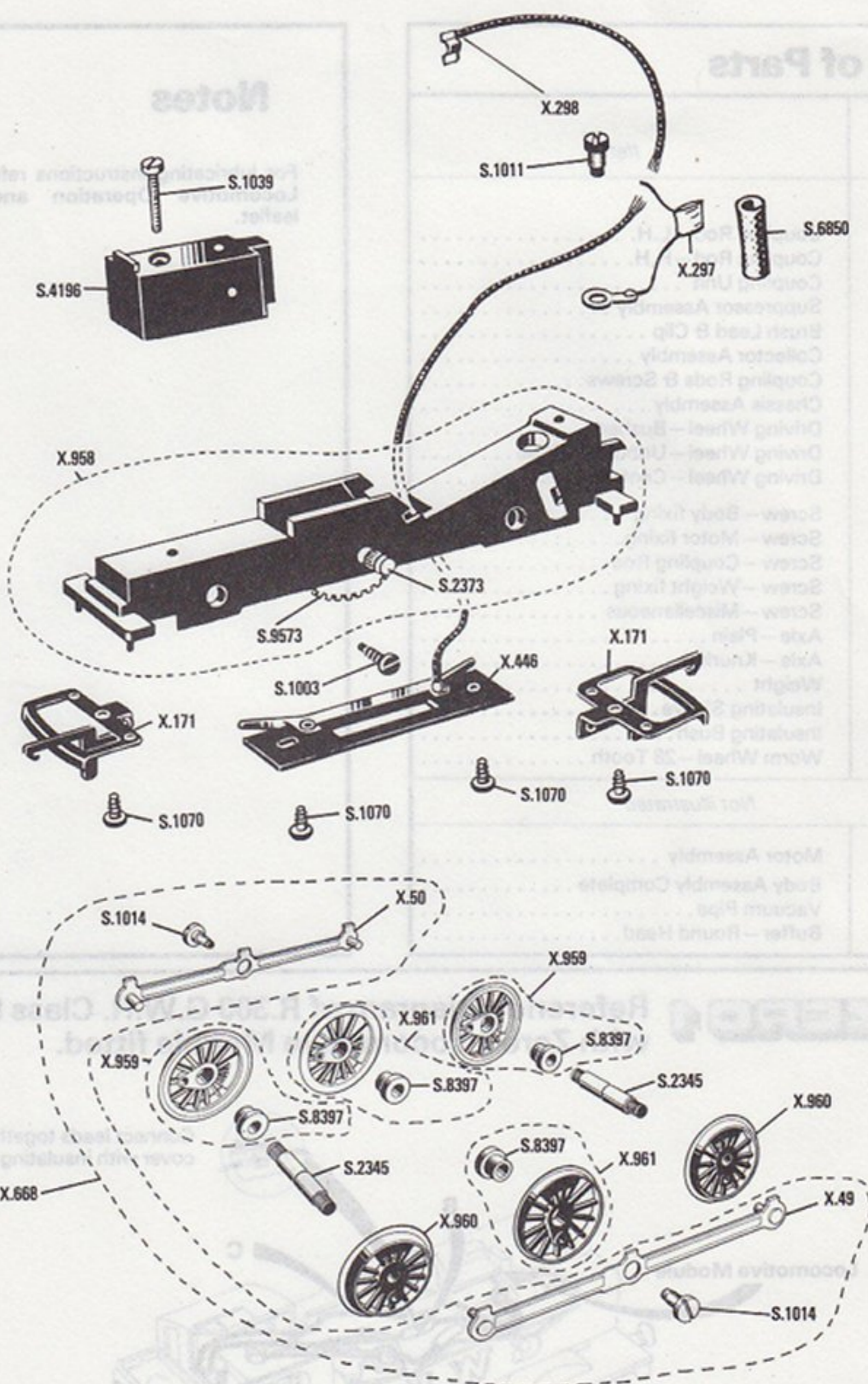


0-6-0 G.W.R. Class 57XX PT Locomotive—R.300

Most parts also applicable to R.041, R.051, R.151, R.152, R.252, R.316, R.452 and pre 1976 R.052

For X.03 Motor see Service Sheet No.81B

Magnadhesion is fitted to this model.



Modifications are made to models from time to time. If a spare part is required which does not coincide with the illustration, a full description should be given and, if necessary, a sketch or sample should accompany the order.

ROVEX Service Centre

Albert Street, Ramsgate, Kent, CT11 9HD, England.

SERVICE SHEET No. 84B

Issued August 1980
Supersedes Sheet No. 84A

0-6-0 G.W.R. Class 57XX PT Locomotive—R.300

Most parts also applicable to R.041, R.051, R.151, R.152, R.252, R.316, R.452 and pre 1976 R.052

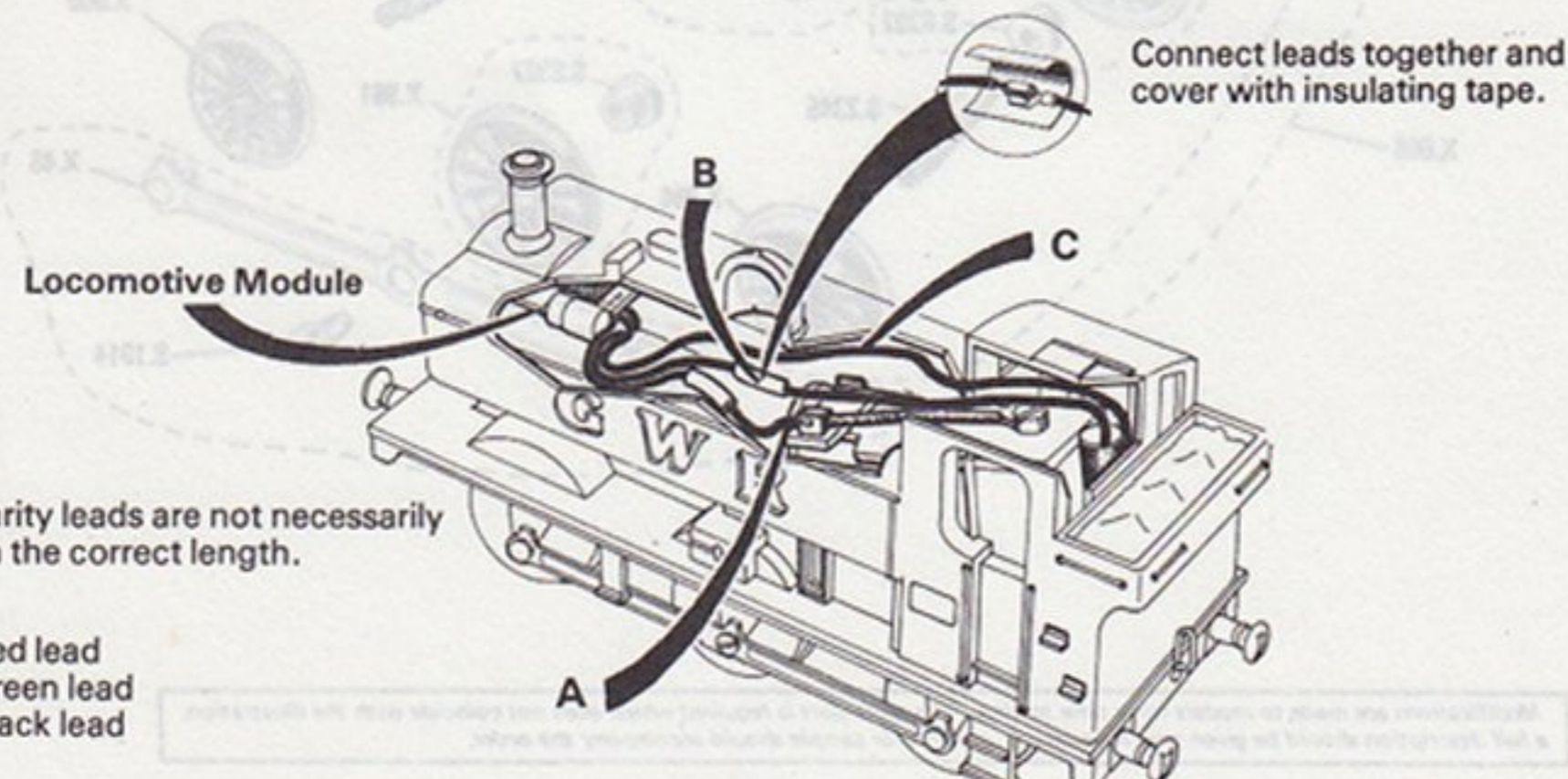
List of Parts

Ref. No.	Item
X.49	Coupling Rod—L.H.
X.50	Coupling Rod—R.H.
X.171	Coupling Unit
X.297	Suppressor Assembly
X.298	Brush Lead & Clip
X.446	Collector Assembly
X.668	Coupling Rods & Screws.
X.958	Chassis Assembly
X.959	Driving Wheel—Bushed
X.960	Driving Wheel—Unbushed Type
X.961	Driving Wheel—Centre
S.1003	Screw—Body fixing
S.1011	Screw—Motor fixing
S.1014	Screw—Coupling Rod
S.1039	Screw—Weight fixing
S.1070	Screw—Miscellaneous
S.2345	Axle—Plain
S.2373	Axle—Knurled.
S.4196	Weight
S.6850	Insulating Sleeve
S.8397	Insulating Bush
S.9573	Worm Wheel—28 Tooth
Not illustrated	
X.03	Motor Assembly
X.1439	Body Assembly Complete
S.8784	Vacuum Pipe
S.8911	Buffer—Round Head.

Notes

For lubricating instructions refer to the Hornby Locomotive Operation and Maintenance leaflet.

Reference Diagram of R.300 G.W.R. Class 57XX with Zero 1 Locomotive Module fitted.



For clarity leads are not necessarily shown the correct length.

A = Red lead
B = Green lead
C = Black lead