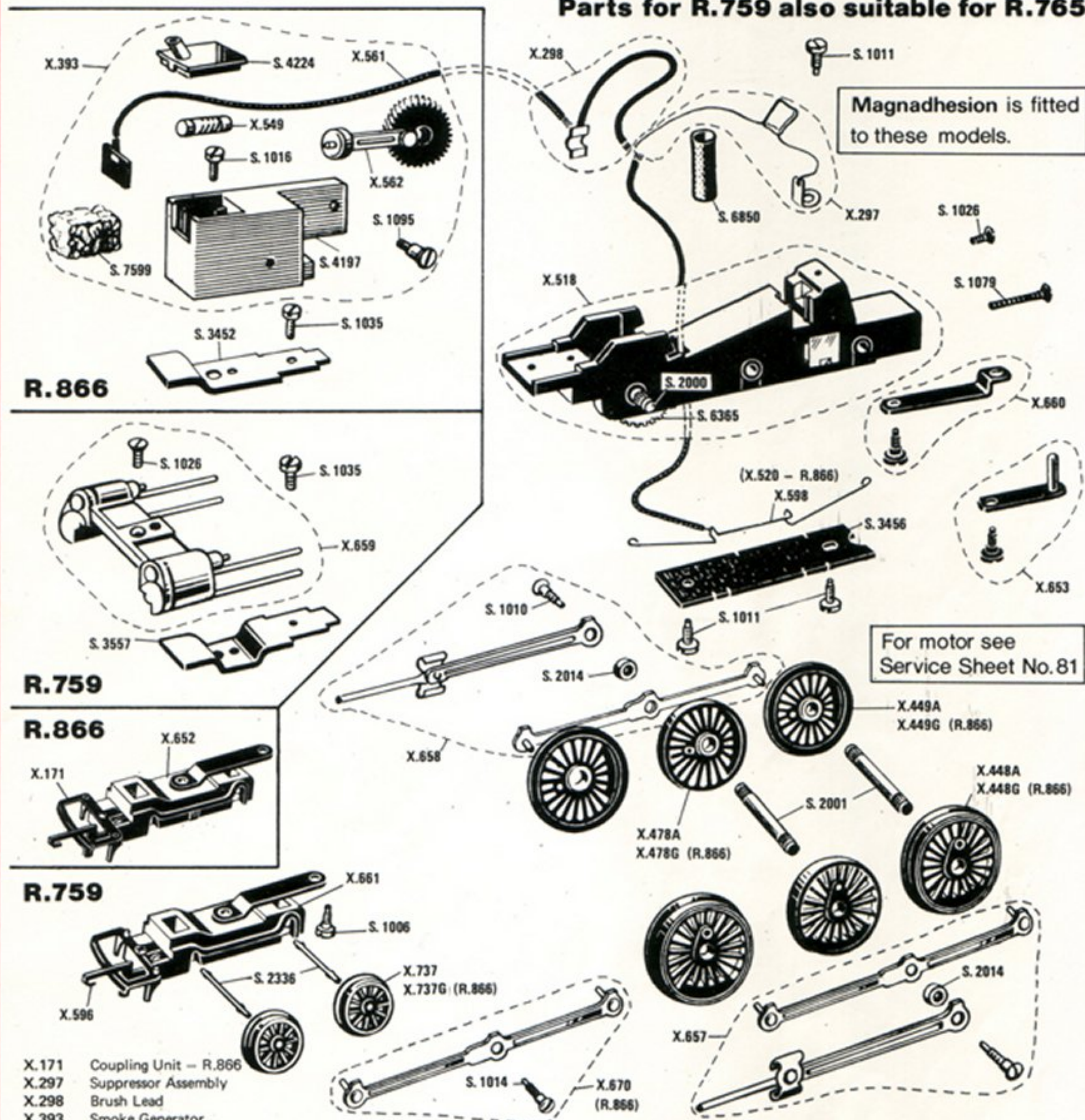


## 4 - 6 - 0 LOCOMOTIVE CHASSIS - R.759, R.765, R.866

Most parts also suitable for R.150

Parts for R.759 also suitable for R.765



Magnadhesion is fitted to these models.

For motor see Service Sheet No. 81

- X.171 Coupling Unit - R.866
- X.297 Suppressor Assembly
- X.298 Brush Lead
- X.393 Smoke Generator
- X.416A Front Bogie - R.866
- X.448A Driving Wheel - Black
- X.448G Driving Wheel - Green
- X.449A Bushed Wheel - Black
- X.449G Bushed Wheel - Green
- X.478A Flangeless Wheel - Black
- X.478G Flangeless Wheel - Green
- X.518 Chassis Assembly
- X.520 Collector Assembly - R.866
- X.549 Element
- X.561 Element Contact
- X.562 Piston Assembly
- X.566A Front Bogie - R.759
- X.596 Coupling Unit - R.759
- X.598 Collector Assembly - R.759
- X.652 Bogie Frame - R.866

- X.653 Drawbar & Screw - R.866
- X.657 L/H Valve Gear - R.759
- X.658 R/H Valve Gear - R.759
- X.659 Cylinder Block Assy. - R.759
- X.660 Drawbar & Screw - R.759
- X.661 Bogie Frame - R.759
- X.670 Pair of Coupling Rods - R.866
- X.737 Bogie Wheel - Black
- X.737G Bogie Wheel - Green
- S.1006 Bogie Screw
- S.1010 Valve Gear Screw
- S.1011 Standard Screw
- S.1014 Coupling Rod Screw
- S.1016 Smoke Unit Screw
- S.1026 Cylinder/Body Screw

- S.1035 Chassis Extension Screw
- S.1079 Body Screw - R.759
- S.1095 Pivot Screw
- S.2000 Knurled Axle
- S.2001 Plain Axle
- S.2014 Distance Piece
- S.2336 Bogie Axle
- S.3452 Chassis Extension - R.866
- S.3456 Collector Diaphragm
- S.3557 Chassis Extension - R.759
- S.4197 Smoke Unit Casing
- S.4224 Cover Plate
- S.6365 Worm Wheel
- S.6850 Insulator
- S.7599 Fibre Wad

Modifications are made to models from time to time. If a spare part is required which does not coincide with the illustration, a full description should be given and, if necessary, a sketch or sample should accompany the order.

A4 - Printed in England.