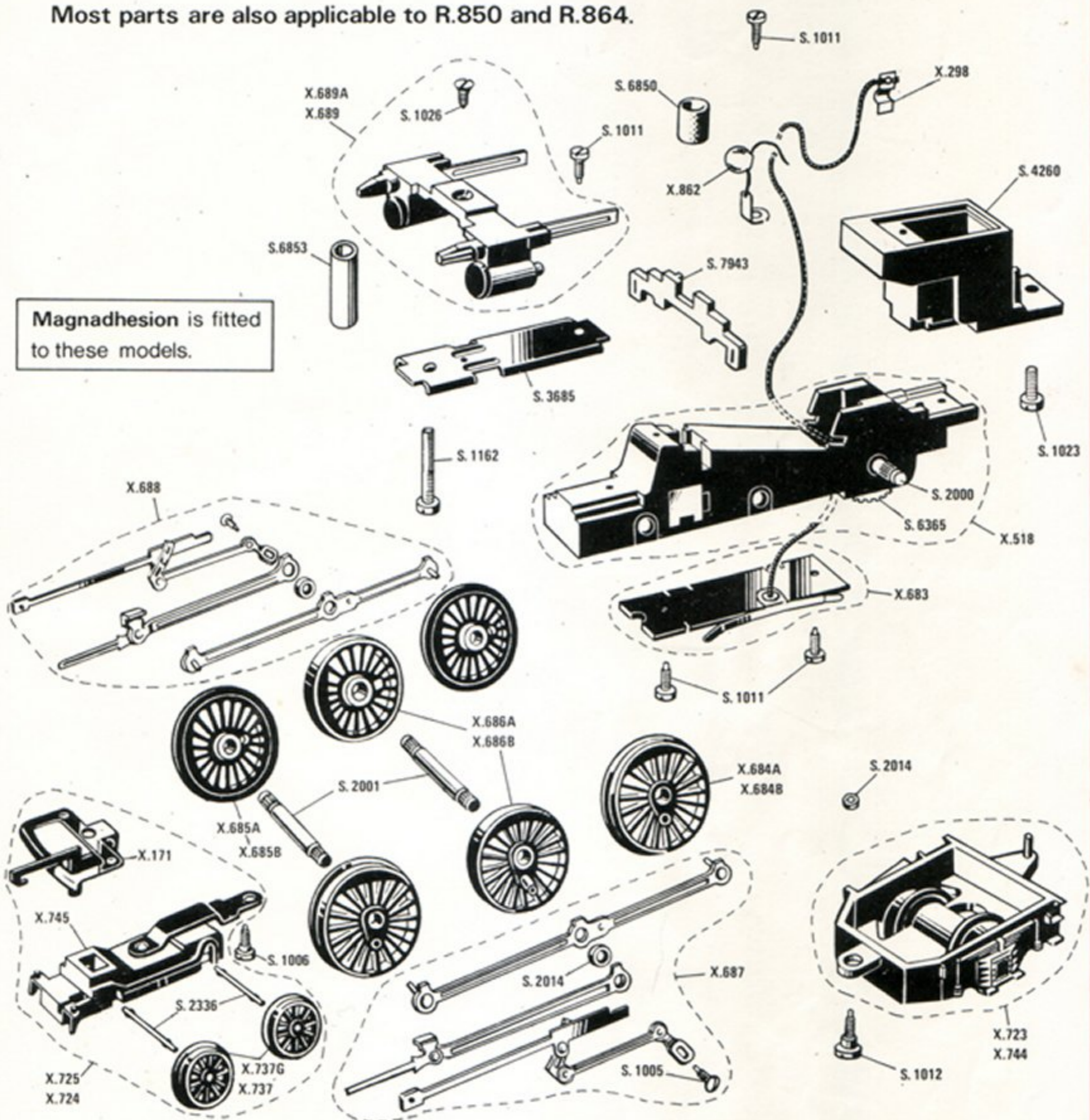


## 4 - 6 - 2 LOCOMOTIVE CHASSIS - R.855, R.871

Most parts are also applicable to R.850 and R.864.



Magnadhesion is fitted to these models.

- X.171 Coupling Unit
- X.298 Brush Lead & Clip
- X.518 Chassis Assembly
- X.683 Collector Assembly
- X.684A Driving Wheel - Green
- X.684B " " - Black
- X.685A " " - Green
- X.685B " " - Black
- X.686A " " - Green
- X.686B " " - Black
- X.687 L/H Valve Gear
- X.688 R/H Valve Gear
- X.689 Cylinder Block - Plain
- X.689A " " - Lined

- X.723 Pony Truck - R.855
- X.724 Front Bogie - Black Wheels
- X.725 Front Bogie - Green Wheels
- X.737 Bogie Wheel - Black
- X.737G " " - Green
- X.744 Pony Truck - R.871
- X.745 Bogie Frame
- X.862 Suppressor Unit
- S.1005 Gear Screw
- S.1006 Bogie Screw
- S.1011 Standard Screw
- S.1012 Pony Truck Screw

- S.1023 Body Screw
- S.1026 Cylinder Block Screw
- S.1162 Body Screw - R.871
- S.2000 Kaurled Driving Axle
- S.2001 Plain Driving Axle
- S.2014 Distance Piece
- S.2336 Bogie Axle
- S.3685 Chassis Extension
- S.4260 Firebox
- S.6365 Worm Wheel
- S.6850 Insulating Sleeve
- S.6853 Distance Piece - R.871
- S.7943 Motion Bracket

For motor see Service Sheet No.81

Modifications are made to models from time to time. If a spare part is required which does not coincide with the illustration, a full description should be given and, if necessary, a sketch or sample should accompany the order.

A4 - Printed in England.