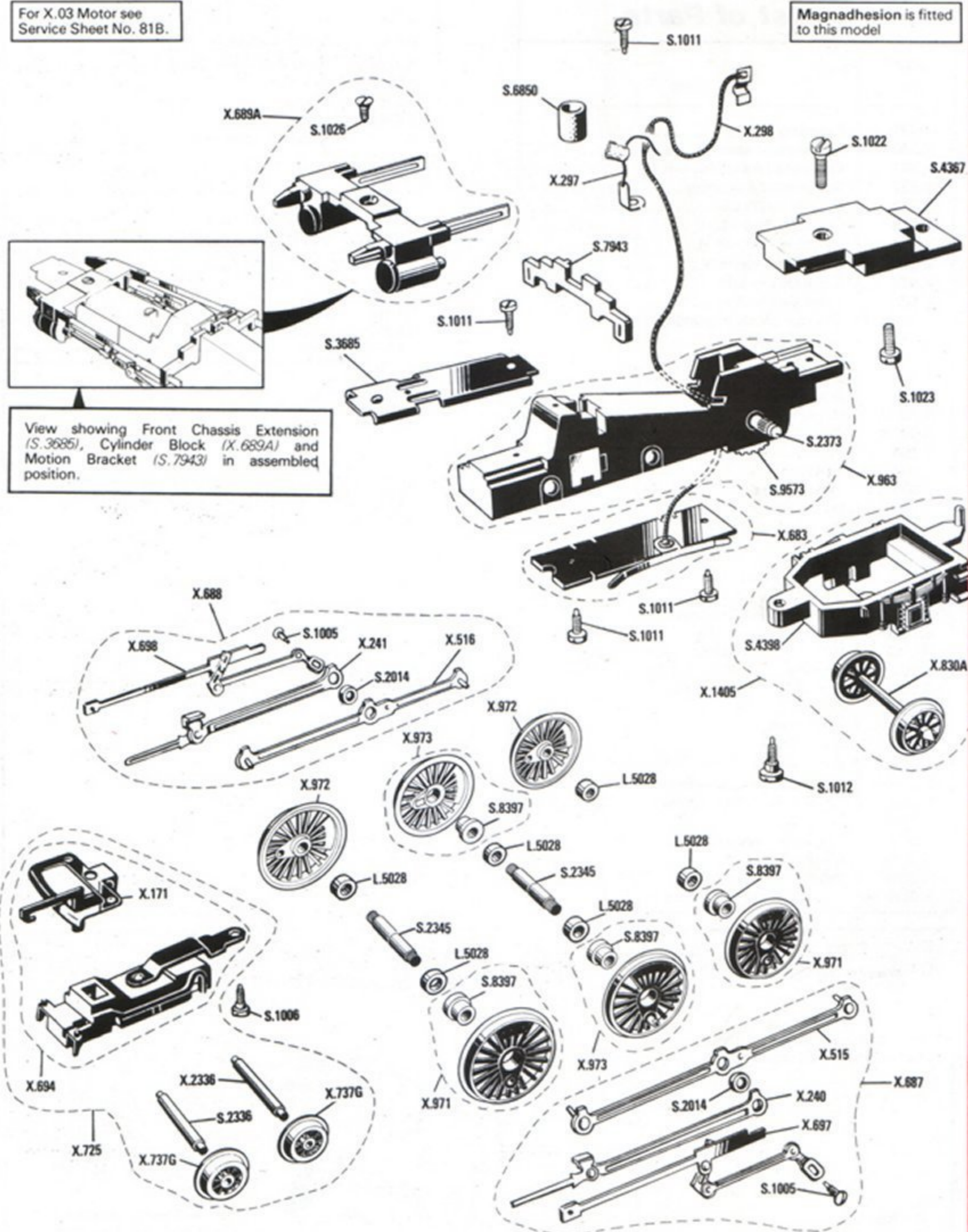


4-6-2 L.N.E.R. CLASS A3 LOCOMOTIVE — R.322 "Flying Scotsman"
 Most parts also suitable for R.845, R.850, R.855, R.864 & R.871

For X.03 Motor see Service Sheet No. 81B.

Magnadhesion is fitted to this model



ROVEX Service Centre

Albert Street, Ramsgate,
 Kent, CT11 9HD, England.

SERVICE SHEET No. 89B
 Issued August 1980
 Supersedes Sheet No. 89A

4-6-2 L.N.E.R. CLASS A3 LOCOMOTIVE — R.322 "Flying Scotsman"
 Most parts also suitable for R.845, R.850, R.855, R.864 & R.871

List of Parts	
Ref. No.	Item
X.171	Coupling Unit
X.240	Crosshead Assembly—L.H.
X.241	Crosshead Assembly—R.H.
X.297	Suppressor Assembly
X.298	Brush Lead & Clip
X.515	Coupling Rod—L.H.
X.516	Coupling Rod—R.H.
X.683	Collector Assembly
X.687	Valve Gear—L.H.
X.688	Valve Gear—R.H.
X.689A	Cylinder Block Assembly
X.694	Bogie Frame
X.697	Link Assembly—L.H.
X.698	Link Assembly—R.H.
X.725	Bogie Assembly
X.737G	Bogie Wheel
X.830A	Pony Truck Wheel/Axle Assembly
X.963	Chassis Assembly—Main Section
X.971	Driving Wheel Assembly—Bushed
X.972	Driving Wheel Assembly—Unbushed Type
X.973	Driving Wheel Assembly—Centre
X.1405	Pony Truck Assembly
L.5028	Axle Bearing
S.1005	Screw—Valve Gear
S.1006	Screw—Bogie
S.1011	Screw—Miscellaneous
S.1012	Screw—Pony Truck
S.1022	Screw—Chassis Rear Section
S.1023	Screw—Body Fixing
S.1026	Screw—Cylinder Block
S.2014	Distance Piece
S.2336	Axle—Bogie
S.2345	Axle—Plain
S.2373	Axle—Knurled
S.3685	Chassis Extension—Front
S.4367	Chassis Extension—Rear
S.4398	Pony Truck
S.6850	Insulating Sleeve
S.7943	Motion Bracket
S.8397	Insulating Bush
S.9573	Worm Wheel—28 Tooth

Items not illustrated	
X.03	Motor Assembly
X.1266	Body Assembly Complete
S.6390	Fireman
S.6391	Driver
S.8784	Vacuum Pipe
S.8911	Buffer—Round Head

Tender—not illustrated	
R.323	Tender Complete
X.171	Coupling Assembly
S.1070	Screw—Coupling
S.1156	Screw—Chassis/Body
S.2129	Axle
S.5098	Wheel
S.8911	Buffer—Round Head

Notes

For lubricating instructions refer to the Hornby Locomotive Operation and Maintenance leaflet.

