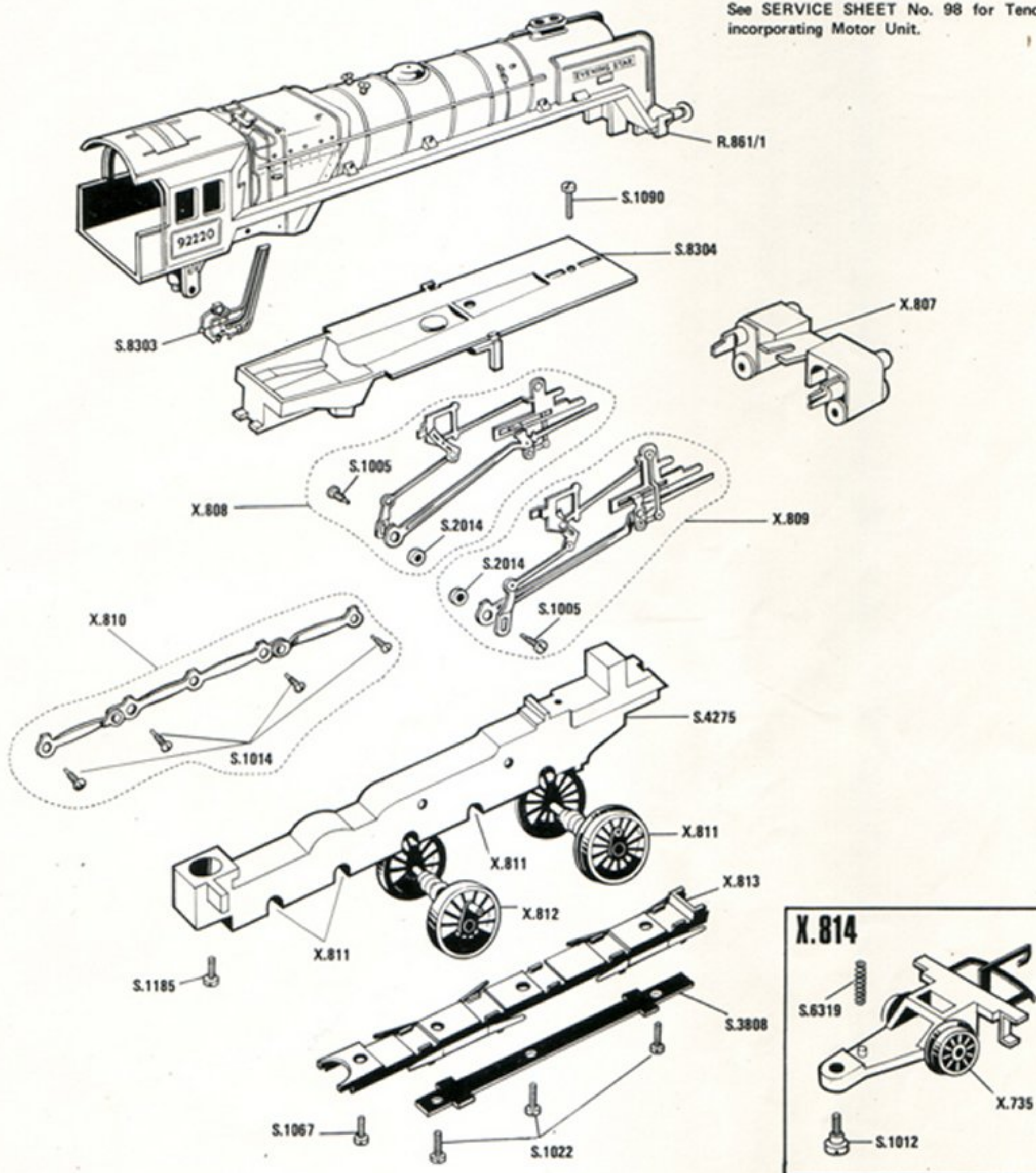


2 - 10 - 0 LOCOMOTIVE CHASSIS - R.861

Most parts also suitable for R.550

See SERVICE SHEET No. 98 for Tender incorporating Motor Unit.



R.861/1 Body
 X.735 Wheel Assembly
 X.807 Cylinder Block
 X.808 L/H Valve Gear Assembly
 X.809 R/H Valve Gear Assembly
 X.810 Coupling Rod Assembly
 X.811 Flanged Wheels Assembly
 X.812 Flangeless Wheels Assembly

X.813 Collector Plate Assembly
 X.814 Pony Truck
 S.1005 Gear Screw
 S.1012 Pony Truck Screw
 S.1014 Coupling Rod Screw
 S.1022 Collector Plate Screw
 S.1067 Body Securing Screw

S.1090 Motion Plate Screw
 S.1185 Drawbar Screw
 S.2014 Distance Piece
 S.3808 Collector Retaining Strip
 S.4275 Chassis
 S.6319 Pony Truck Spring
 S.8303 Pipework
 S.8304 Motion Plate

- NOTE : 1) Wires from Locomotive Collectors to Tender are supplied with Tender parts, see Sheet No. 98.
 2) Bushed Driving Wheels are on LEFT side of Locomotive.
 3) Separate parts within an "X" assembly are not supplied unless numbered in the illustration.

Modifications are made to models from time to time. If a spare part is required which does not coincide with the illustration, a full description should be given and, if necessary, a sketch or sample should accompany the order.