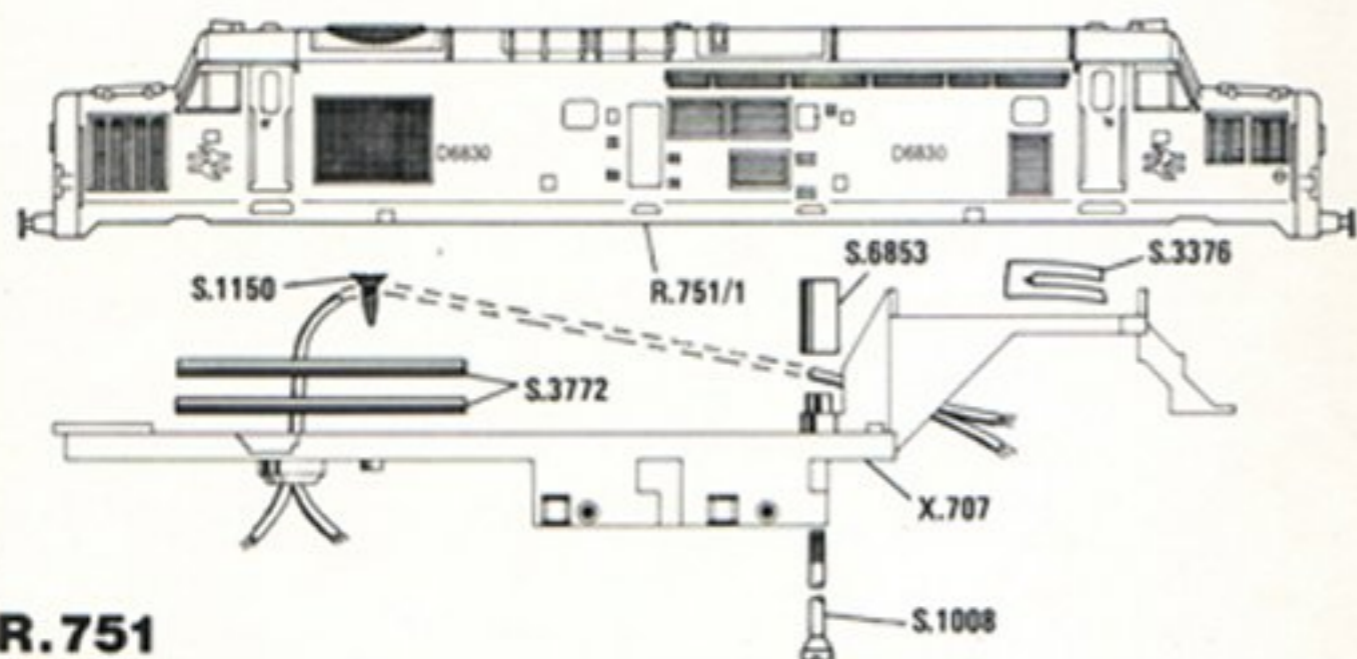
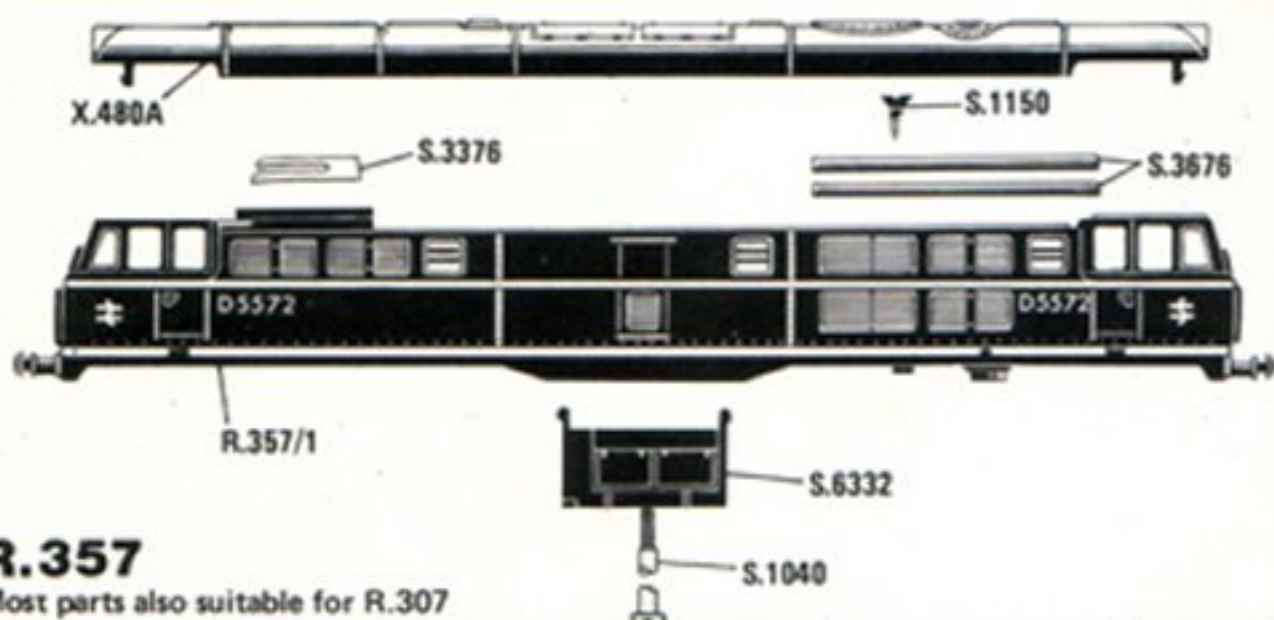


DIESEL LOCOMOTIVES - R.307, R.357 & R.751

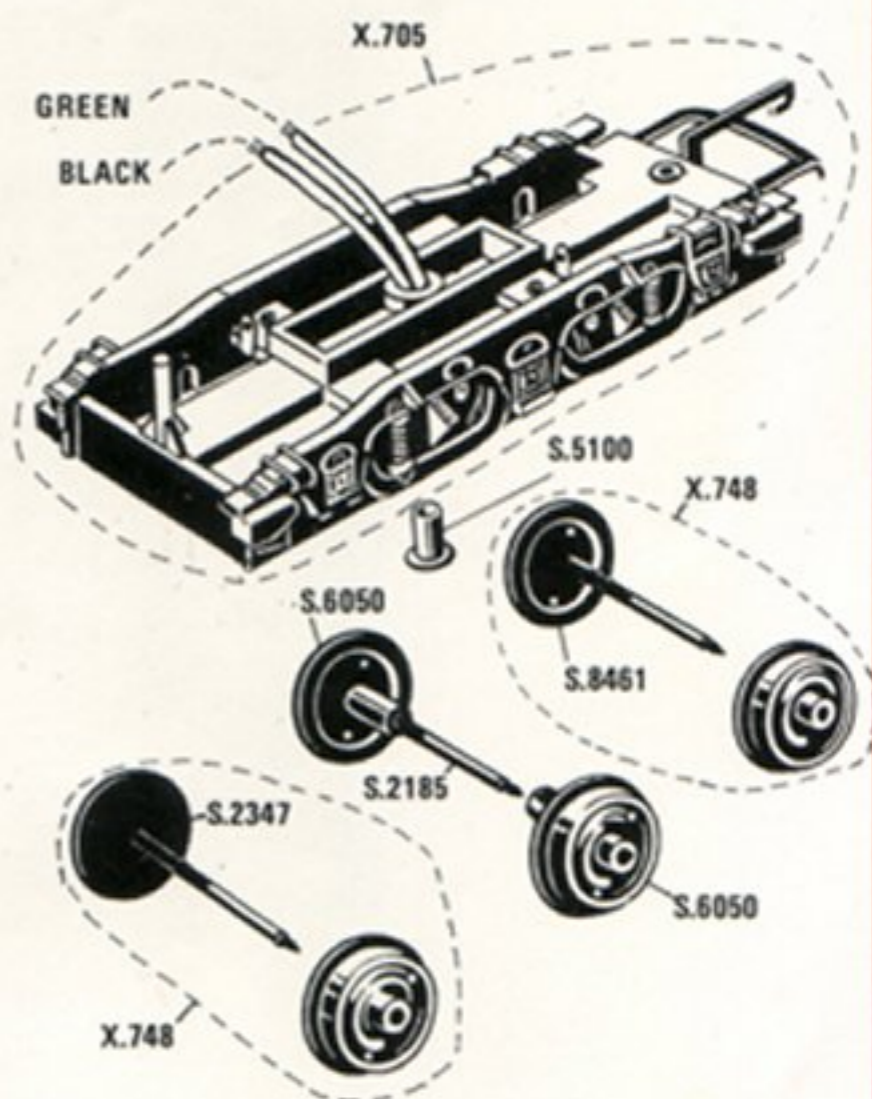


R.751



R.357

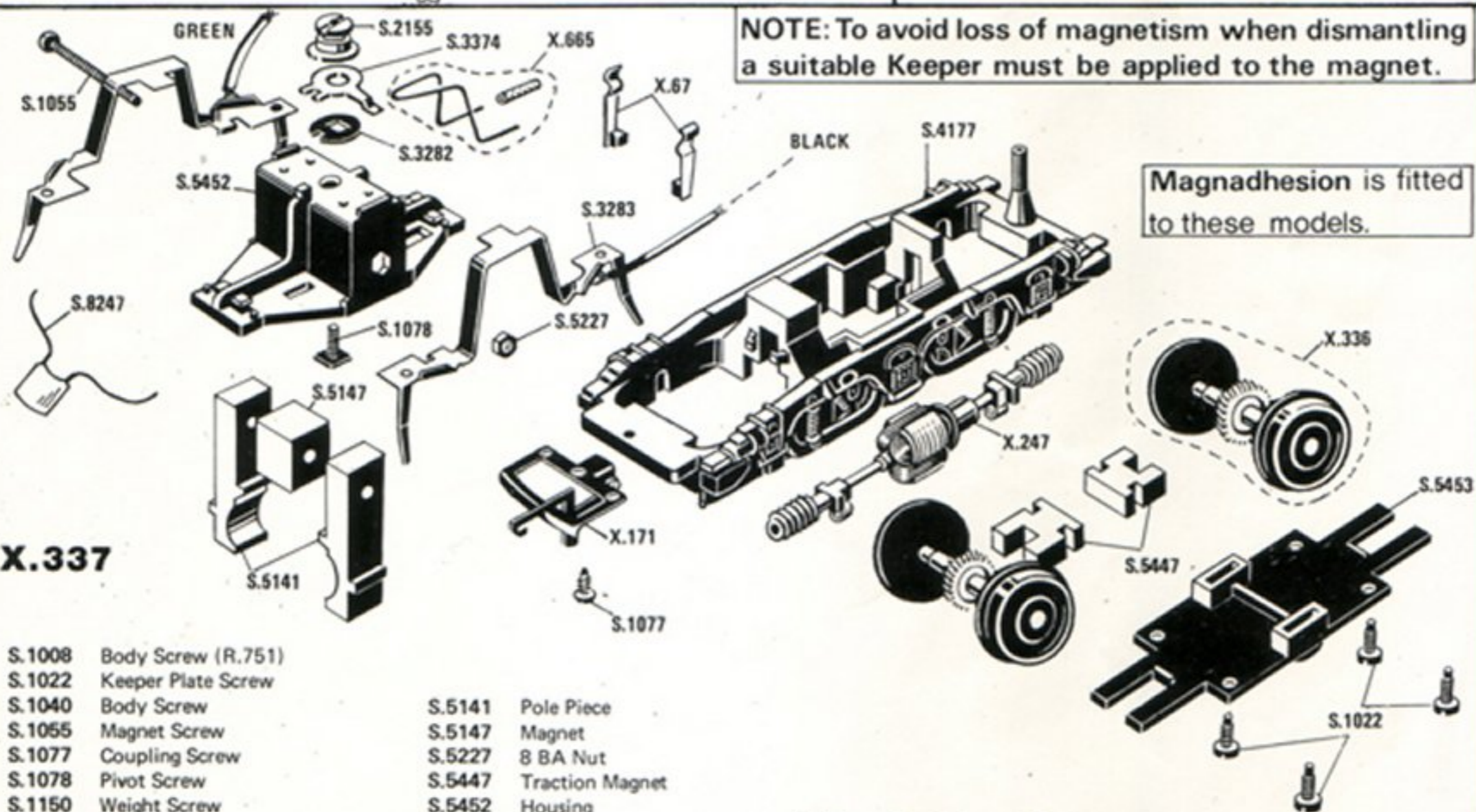
Most parts also suitable for R.307



X.706

NOTE: To avoid loss of magnetism when dismantling a suitable Keeper must be applied to the magnet.

Magnadhesion is fitted to these models.



X.337

- S.1008 Body Screw (R.751)
- S.1022 Keeper Plate Screw
- S.1040 Body Screw
- S.1055 Magnet Screw
- S.1077 Coupling Screw
- S.1078 Pivot Screw
- S.1150 Weight Screw
- S.2155 Pivot Nut
- S.2185 Bogie Axle
- S.2347 Metal Bogie Wheel
- S.3282 Insulating Washer
- S.3283 Collector Unit
- S.3374 Housing Contact Washer
- S.3376 Bogie Retaining Clip
- S.3676 Weight
- S.3772 Weight (R.751)
- S.4177 Power Bogie Main Frame
- S.5100 Eyelet

- S.5141 Pole Piece
- S.5147 Magnet
- S.5227 8 BA Nut
- S.5447 Traction Magnet
- S.5452 Housing
- S.5453 Keeper Plate
- S.6050 Bogie Wheel
- S.6332 Underframe
- S.6853 Distance Piece
- S.8247 Capacitor
- S.8461 Plastic Bogie Wheel

- R.357/1 Body with Buffers
- R.751/1 Body complete

- X.67 Brush Arm and Brush
- X.171 Coupling Unit
- X.247 Armature Assembly
- X.336 Axle Assembly
- X.337 Power Bogie
- X.480A Roof Assembly
- X.665 Brush Spring and Insulator
- X.705 Trailing Bogie Frame Assembly
- X.706 Trailing Bogie with Leads
- X.707 Chassis
- X.748 Axle Assembly

Modifications are made to models from time to time. If a spare part is required which does not coincide with the illustration, a full description should be given and, if necessary, a sketch or sample should accompany the order.