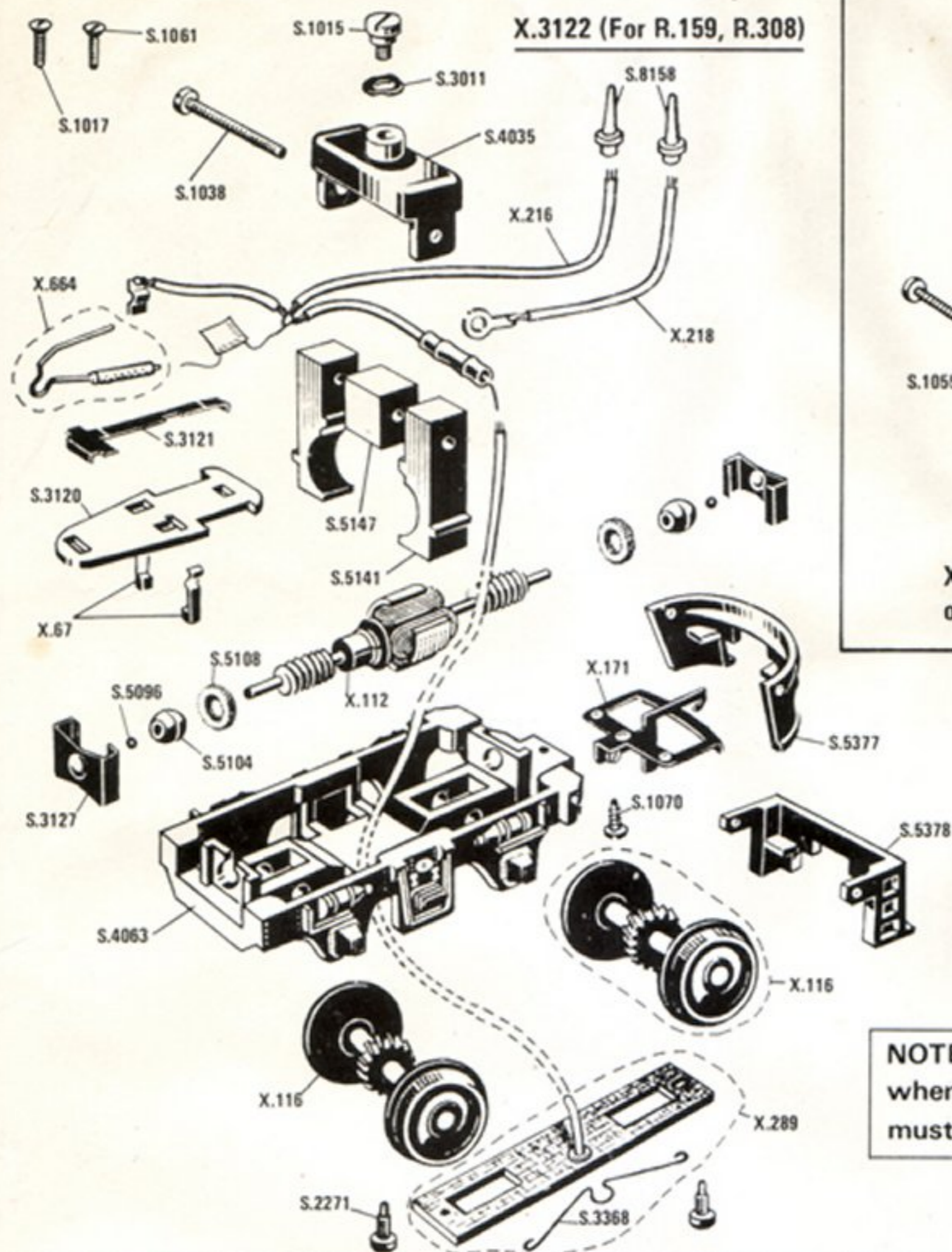
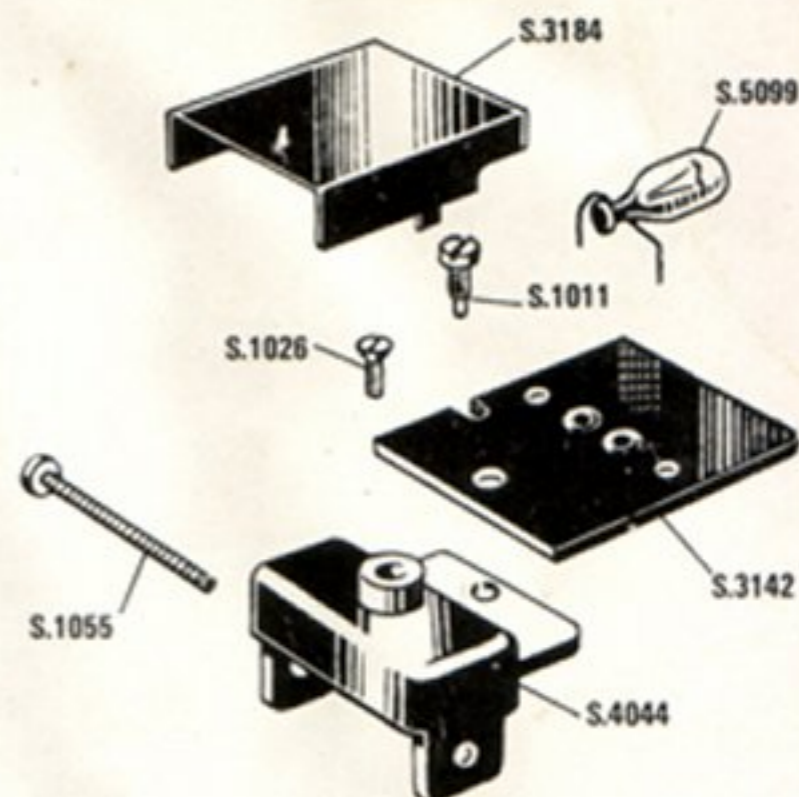


POWER BOGIES - R.159, R.253, R.308



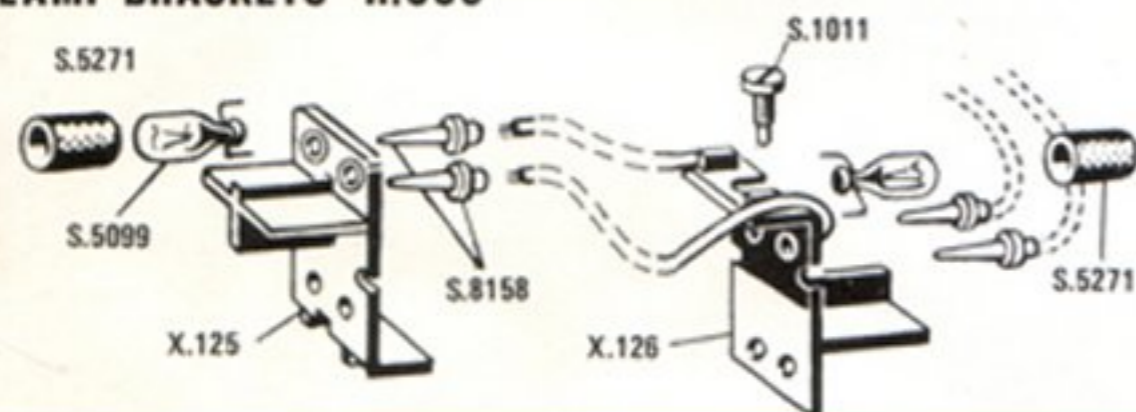
X.3122 (For R.159, R.308)



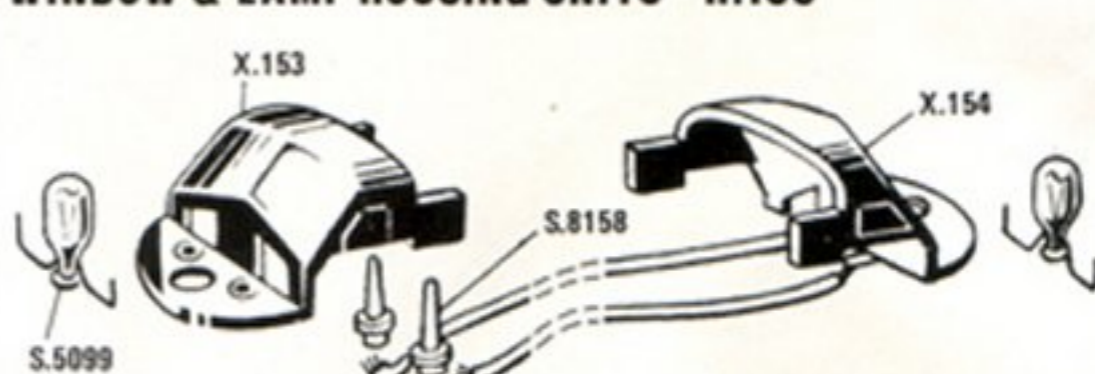
X.3166 (For R.253)
other parts as X.3122

NOTE: To avoid loss of magnetism when dismantling a suitable Keeper must be applied to the magnet.

LAMP BRACKETS - R.308



WINDOW & LAMP HOUSING UNITS - R.159



X.67	Brush Arm and Brush	X.289	Collector Assembly	S.1070	Coupling Screw	S.4063	Main Frame
X.112	Armature Assembly	X.664	Brush Spring and Insulator	S.2271	Collector Screw	S.5096	Thrust Ball
X.116	Wheel/Axle Assembly	X.3122	Power Bogie	S.3011	Pivot Screw Washer	S.5099	Lamp
X.125	Lamp Bracket	X.3166	Power Bogie	S.3120	Brushgear Diaphragm	S.5104	Spherical Bearing
X.126	Lamp Bracket with Leads	S.1011	Screw	S.3121	Brushgear Return Spring	S.5108	Felt Lubricating Pad
X.153	Window and Lamp Housing	S.1015	Pivot Screw	S.3127	Spring Clip	S.5141	Pole Piece
X.154	Window and Lamp Housing with Leads	S.1017	Body Screw (R.308)	S.3142	Lamp Diaphragm	S.5147	Magnet
X.171	Coupling Unit	S.1026	Body Screw (R.253)	S.3184	Lamp Shield	S.5271	Lamp Sleeve
X.216	Suppressor Assembly with Leads	S.1038	Magnet Screw	S.3368	Collector Spring	S.5377	Pilot (R.159)
X.218	Lamp Lead	S.1055	Magnet Screw	S.4035	Pivot Bracket	S.5378	Pilot (R.308)
		S.1061	Roof Screw (R.159)	S.4044	Top Mounting Bracket	S.8158	Plug

Modifications are made to models from time to time. If a spare part is required which does not coincide with the illustration, a full description should be given and, if necessary, a sketch or sample should accompany the order.

A4 - Printed in England.

ROVEX Limited

Westwood, Margate, Kent, CT9 4JX, England.

SERVICE SHEET No. 95

Issued June 1974
Supersedes Sheet Nos. 61 & 12b