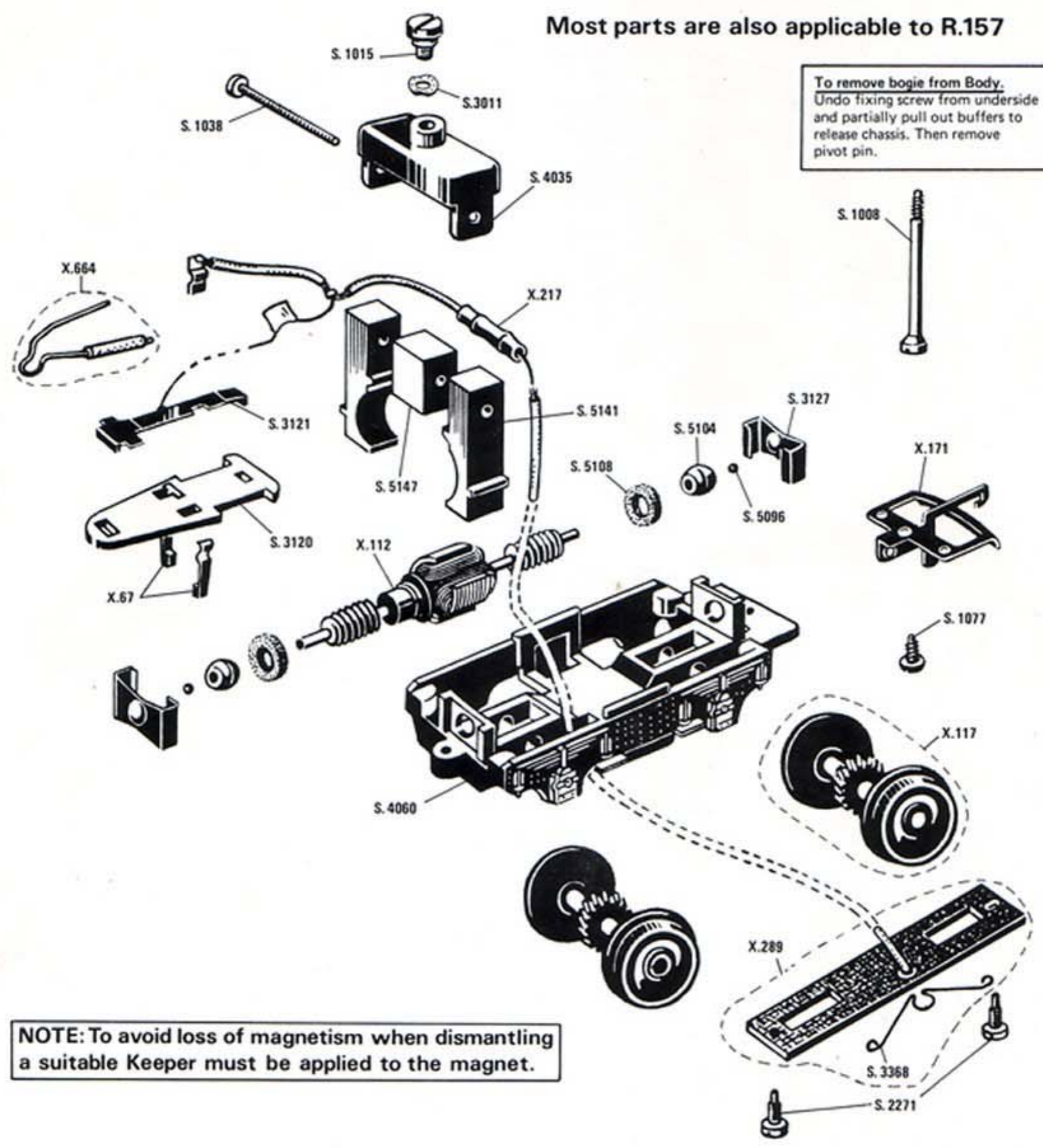


## X.3121 - POWER BOGIE FOR DIESEL PULLMAN - R.555

Most parts are also applicable to R.157



**NOTE:** To avoid loss of magnetism when dismantling a suitable Keeper must be applied to the magnet.

- |        |                       |        |                     |        |                      |
|--------|-----------------------|--------|---------------------|--------|----------------------|
| X.67   | Brush Arm and Brush   | S.1008 | Body Fixing Screw   | S.3368 | Collector Spring     |
| X.112  | Armature Assembly     | S.1015 | Pivot Pin           | S.4035 | Pivot Bracket        |
| X.117  | Wheel/Axle Assembly   | S.1038 | Magnet Screw        | S.4060 | Main Frame Casting   |
| X.171  | Coupling Unit         | S.1077 | Coupling Screw      | S.5096 | Thrust Ball          |
| X.217  | Suppressors Assembly  | S.2271 | Collector Screw     | S.5104 | Spherical Bearing    |
| X.289  | Collector Assembly    | S.3011 | Pivot Screw Washer  | S.5108 | Felt Lubricating Pad |
| X.664  | Brush Spring Assembly | S.3120 | Brushgear Diaphragm | S.5141 | Pole Piece           |
| X.3121 | Power Bogie Complete  | S.3121 | Brushgear Spring    | S.5147 | Magnet               |
|        |                       | S.3127 | Spring Clip         |        |                      |

*Modifications are made to models from time to time. If a spare part is required which does not coincide with the illustration, a full description should be given and, if necessary, a sketch or sample should accompany the order.*