

## WHEELS, CHASSIS & BOGIES FOR WAGONS & COACHES



S.8742



S.8285  
S.8285A



S.8741



X.776



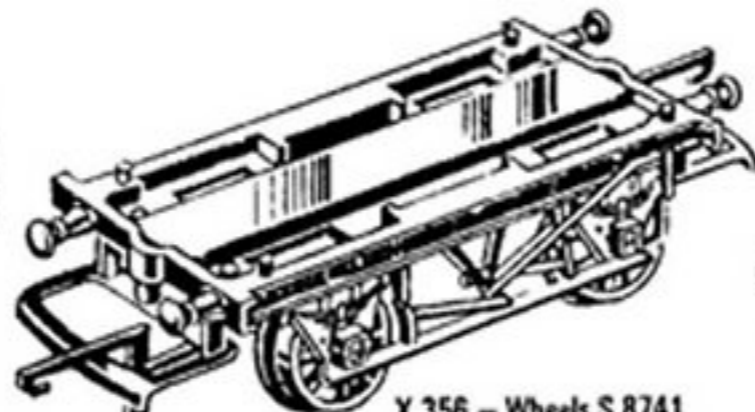
X.830



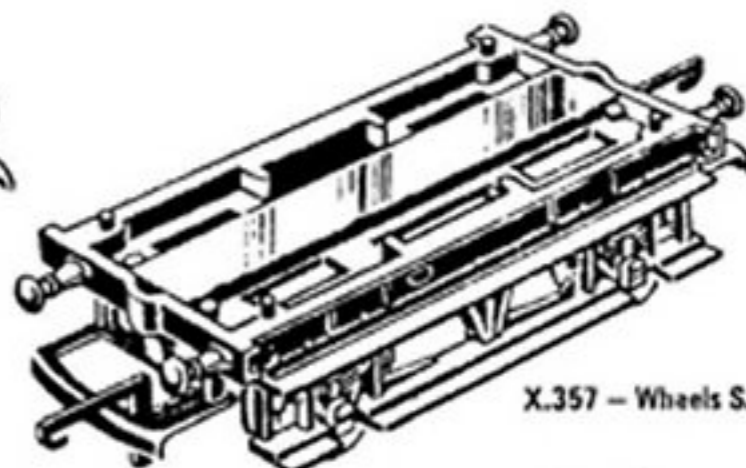
X.171



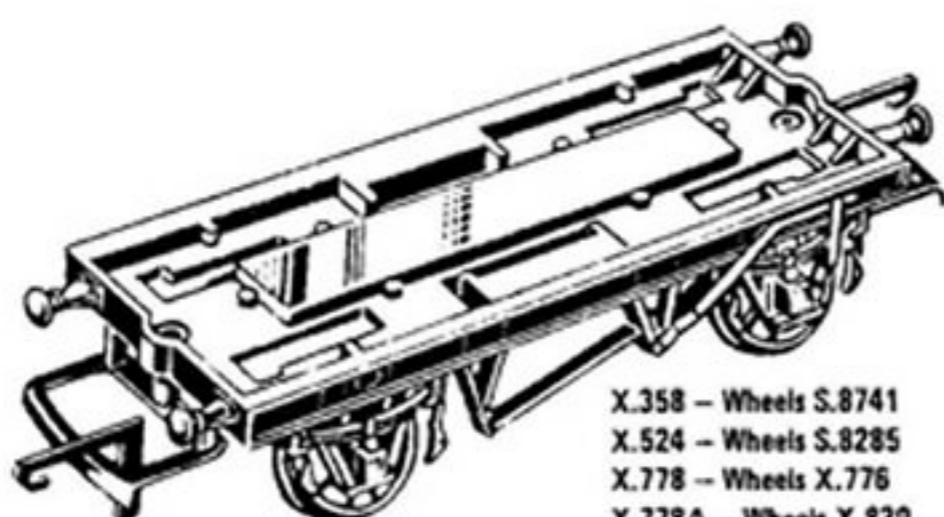
X.619 - Wheels S.8742



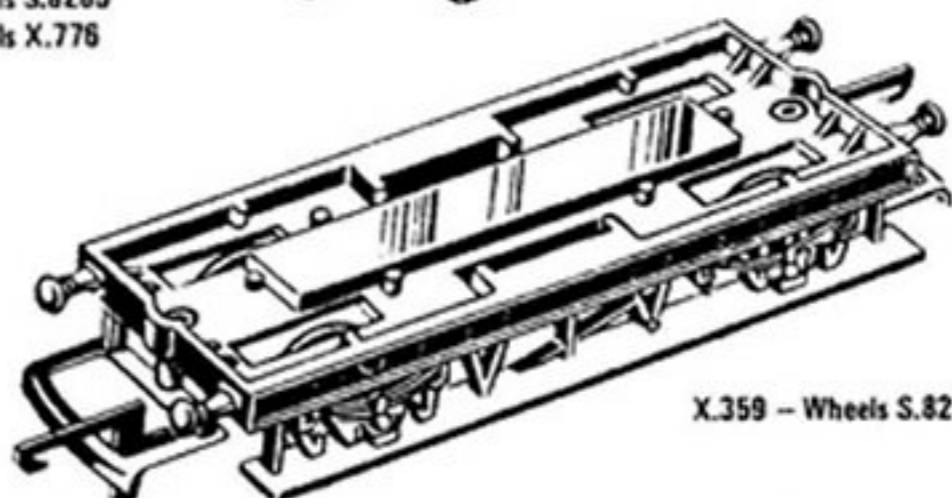
X.356 - Wheels S.8741  
X.511 - Wheels S.8285  
X.777 - Wheels X.776



X.357 - Wheels S.8741



X.358 - Wheels S.8741  
X.524 - Wheels S.8285  
X.778 - Wheels X.776  
X.778A - Wheels X.830



X.359 - Wheels S.8285



X.522 - With Saddle  
X.765 - As Shown  
Wheels S.8742



X.680 - Wheels S.8285



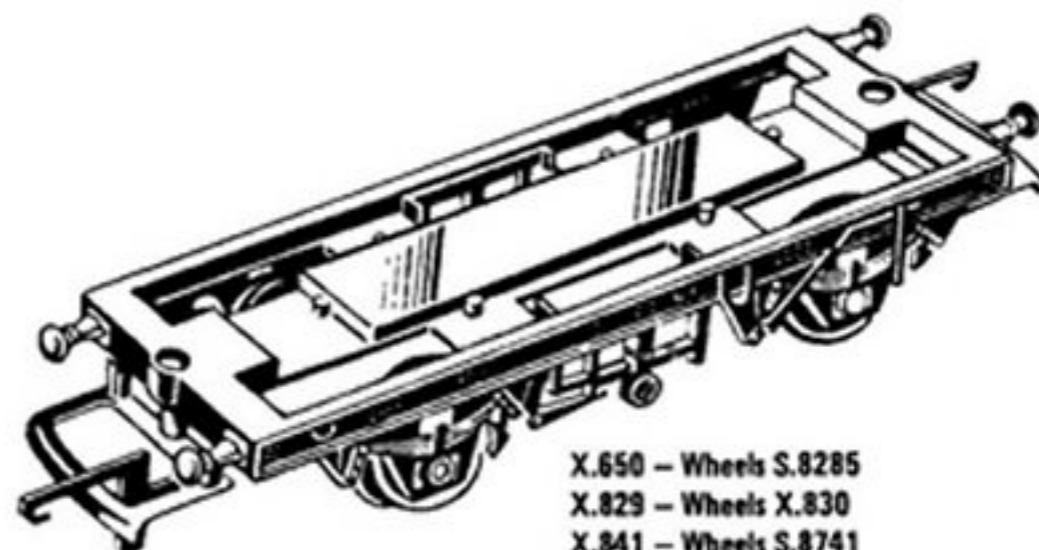
X.863 - Wheels X.830



X.531 - Wheels S.8285  
X.531A - Wheels S.8285A



X.360 - Wheels S.8742



X.650 - Wheels S.8285  
X.829 - Wheels X.830  
X.841 - Wheels S.8741

- X.171 Coupling Unit
- X.356 Standard Chassis
- X.357 Standard Chassis - Stepped
- X.358 Long-Wheelbase Chassis
- X.359 Long-Wheelbase Chassis - Stepped
- X.360 Diamond Frame Bogie
- X.511 Standard Chassis
- X.522 Transcontinental Bogie
- X.524 Long-Wheelbase Chassis

- X.531 Standard Bogie
- X.531A Standard Bogie
- X.619 Freightliner Bogie
- X.650 15' Chassis
- X.680 Inter-city Bogie
- X.765 100 Ton Tanker Bogie
- X.776 .5" Spoked-Metal Tyred
- X.777 Standard Chassis
- X.778 Long-Wheelbase Chassis

- X.778A Long-Wheelbase Chassis
- X.829 15' Chassis
- X.830 .5" Disc-Metal Tyred
- X.841 15' Chassis
- X.863 Pullman Bogie
- S.8285 .5" Disc
- S.8285A .5" Disc-White rims
- S.8741 .5" Spoked
- S.8742 .4" Disc

Modifications are made to models from time to time. If a spare part is required which does not coincide with the illustration, a full description should be given and, if necessary, a sketch or sample should accompany the order.