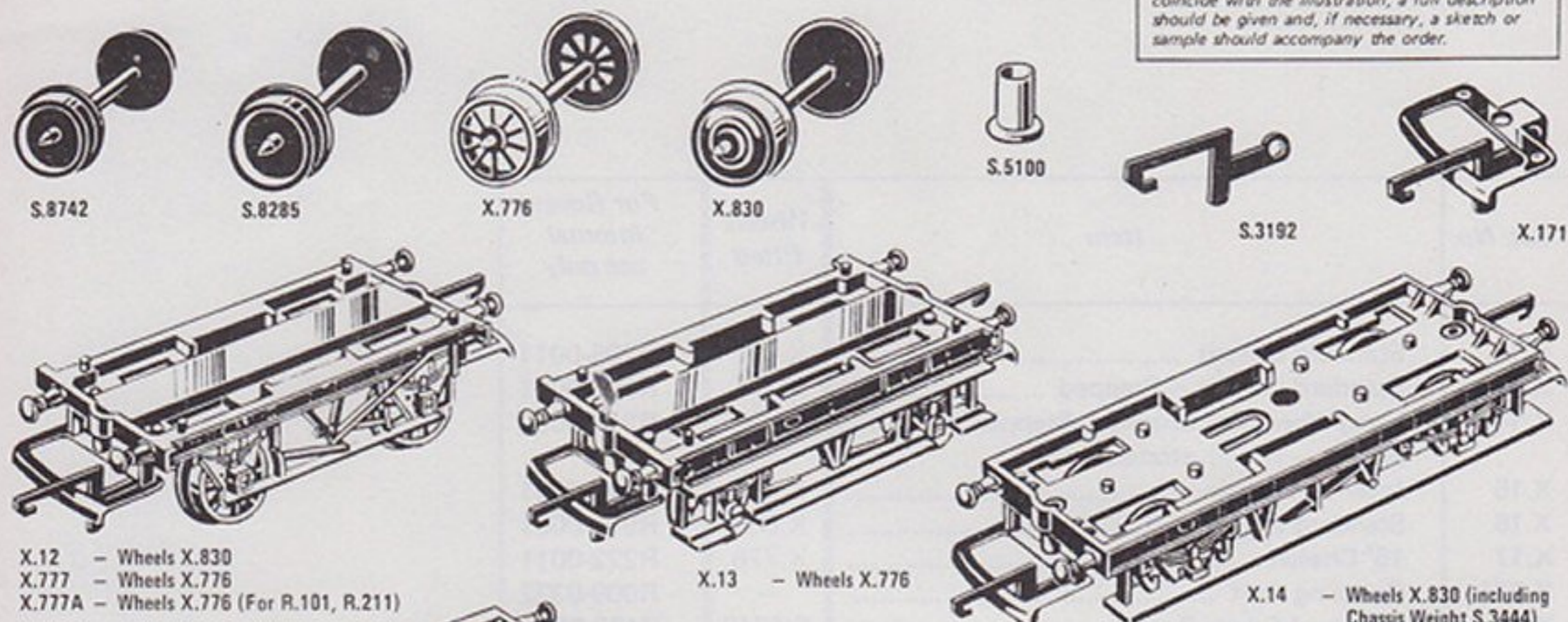


WHEELS, CHASSIS & BOGIES FOR WAGONS & COACHES

Modifications are made to models from time to time. If a spare part is required which does not coincide with the illustration, a full description should be given and, if necessary, a sketch or sample should accompany the order.



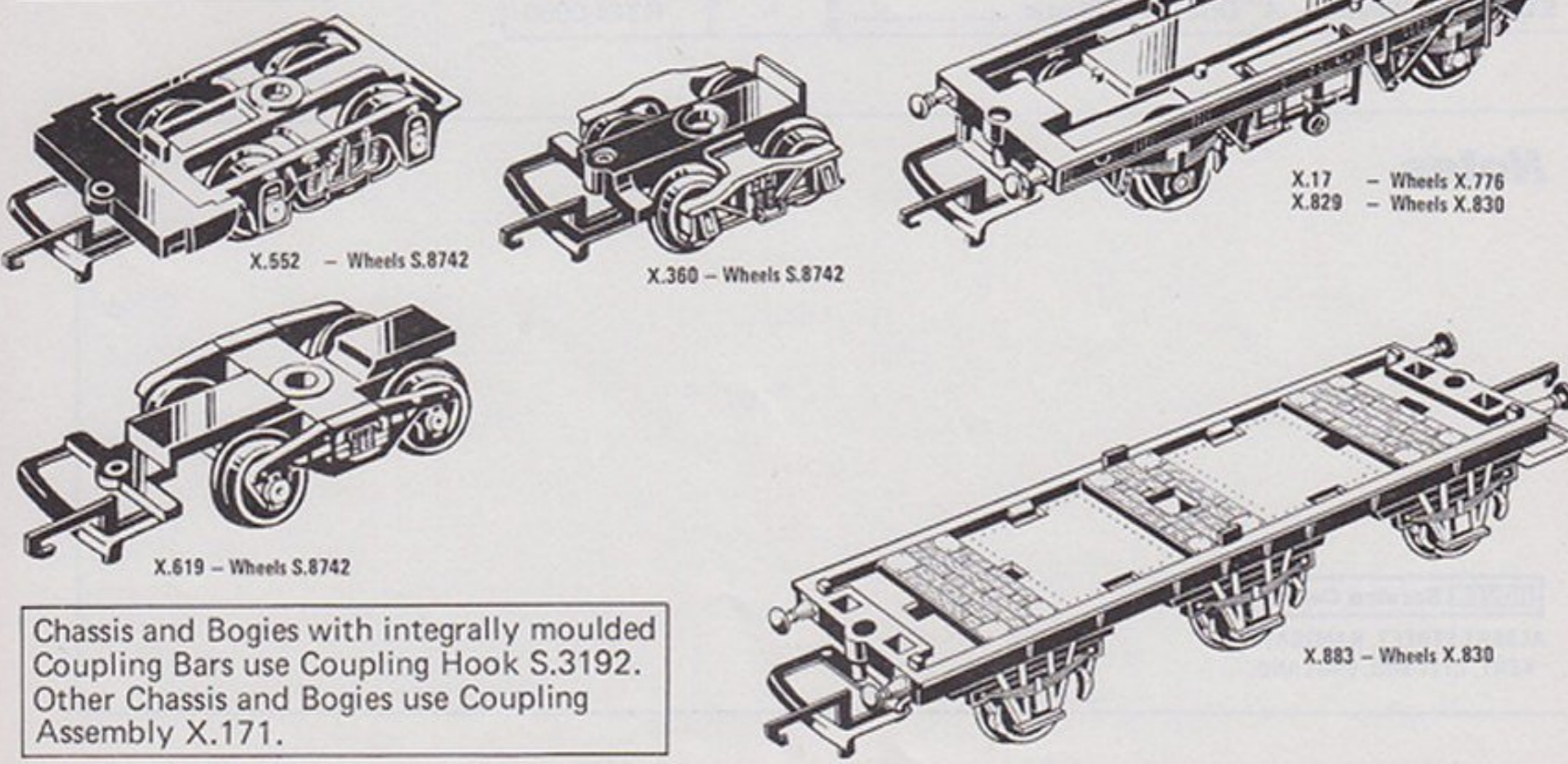
X.12 - Wheels X.830
 X.777 - Wheels X.776
 X.777A - Wheels X.776 (For R.101, R.211)
 X.13 - Wheels X.776
 X.14 - Wheels X.830 (including Chassis Weight S.3444)
 *X.904 - Wheels X.776
 *X.849 - For R.107 with Tail Light



X.778 - Wheels X.776
 X.778A - Wheels X.830
 X.16 - Wheels X.830
 X.15 - Wheels X.830
 X.863 - Wheels X.830
 X.869 - With Current Collectors for R.158
 X.870 - Wheels S.8285

*Ballast Weights are not included with Chassis Nos. X.904 and X.849. If required quote Catalogue No. S.3772.

Bogies X.15, X.16, X.863, X.869 and X.870 produced from late 1976 (illustrated) are clip-fit to Chassis. Those produced earlier (with hole in centre) and other Bogies listed require Eyelet No. S.5100 for Chassis fixing.



Chassis and Bogies with integrally moulded Coupling Bars use Coupling Hook S.3192. Other Chassis and Bogies use Coupling Assembly X.171.

ROVEX Service Centre Albert Street, Ramsgate, Kent, CT11 9HD, England. **SERVICE SHEET No. 97A**
 Issued September 1976
 Supersedes Sheet No. 97

List of Parts

WHEELS, CHASSIS & BOGIES FOR WAGONS & COACHES

Cat. No.	Item	Wheels fitted	For Rovex internal use only
X.12	Standard Chassis	X.830	R205-0011
X.13	Standard Chassis - Stepped	X.776	R208-0011
X.14	Long-Wheelbase Chassis - Stepped (including Weight - not illustrated)	X.830	R218-0051
X.15	Inter-City Bogie	X.830	R924-0051
X.16	Standard Bogie	X.830	R935-0051
X.17	15' Chassis	X.776	R222-0011
X.171	Coupling Unit	-	R009-0322
X.360	Diamond Frame Bogie	S.8742	Z400-0261
X.522	Transcontinental Bogie	S.8742	R440-0061
X.619	Freightliner Bogie	S.8742	-
X.776	Wheels - .5" Spoked - Metal Tyred	-	R090-0771
X.777	Standard Chassis	X.776	R090-0011
X.777A	Standard Chassis (With Special Weight for R.101 and R.211)	X.776	-
X.778	Long-Wheelbase Chassis	X.776	R106-0031
X.778A	Long-Wheelbase Chassis	X.830	R102-0031
X.829	15' Chassis	X.830	R020-0011
X.830	Wheels - .5" Disc - Metal Tyred	-	R020-0771
X.849	Long-Wheelbase Chassis - Stepped (Fitted for current collection for R.107 with Tail Light)	-	-
X.863	Pullman Bogie	X.830	R229-0011
X.869	Pullman Bogie (Fitted for current collection for R.158 Lighted Headcode)	-	R229-0012
X.870	Pullman Bogie (For R.157, R.158 & R.334)	S.8285	-
X.883	Six Wheel Bogie	X.830	-
X.904	Long-Wheelbase Chassis - Stepped	X.776	R018-0041
S.3192	Coupling Hook	-	R009-0310
S.3772	Ballast Weight for X.849, X.904	-	R107-0310
S.5100	Eyelet (Bogie to Chassis/Underframe)	-	Z200-0010
S.8285	Wheels - .5" Disc - All Plastic	-	R339-0210
S.8742	Wheels - .4" Disc - All Plastic	-	R344-0060

Notes

ROVEX Service Centre
 ALBERT STREET, RAMSGATE,
 KENT, CT11 9HD, ENGLAND.