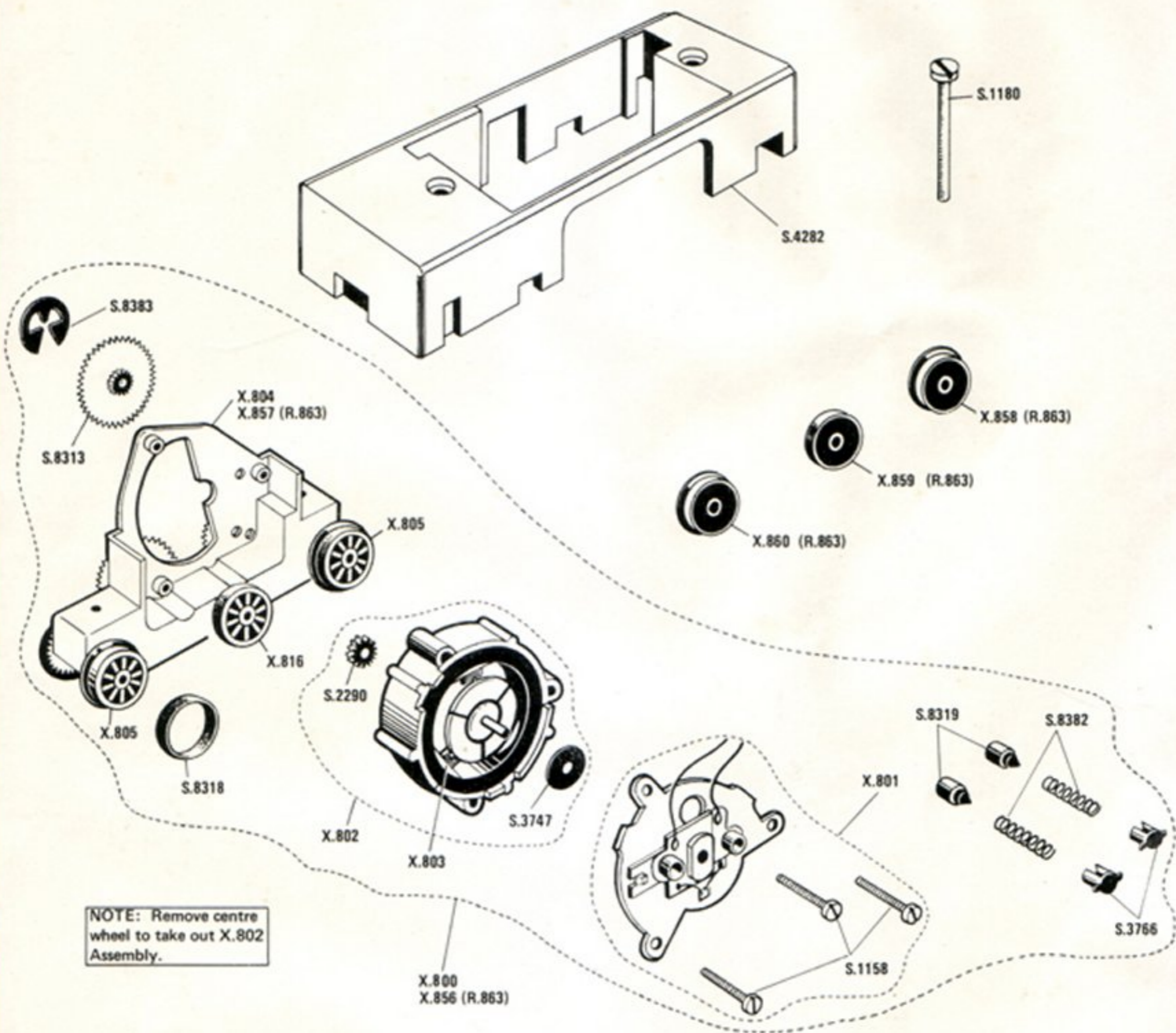


RING FIELD MOTOR POWER UNIT

Used with R. 550, R. 552, R. 859 & R. 861

Most parts also common with R. 863



X.800	Motor/Chassis Assembly
X.801	Front Plate Assembly
X.802	Armature/Magnet Assembly
X.803	Armature Assembly
X.804	Chassis Assembly
X.805	Flanged Wheel
X.816	Flangeless Wheel
X.856	Motor/Chassis Assembly (R.863)
X.857	Chassis Assembly (R.863)
X.858	Disc Wheel (R.863)
X.859	Flangeless Disc Wheel (R.863)
X.860	Disc Wheel with Tyre (R.863)

S.1158	Motor Screw
S.1180	Weight Screw
S.2290	Spur Gear
S.3747	Commutator Washer
S.3766	Brush Cap
S.4282	Weight
S.8313	Large Spur Gear
S.8318	Traction Tyre
S.8319	Carbon Brush
S.8382	Brush Spring
S.8383	Circlip

Modifications are made to models from time to time. If a spare part is required which does not coincide with the illustration, a full description should be given and, if necessary, a sketch or sample should accompany the order.

A4 - Printed in England.

ROVEX Limited

Westwood, Margate, Kent, CT9 4JX, England.

SERVICE SHEET No. 98

Issued June 1974
Supersedes Sheet No. 78b