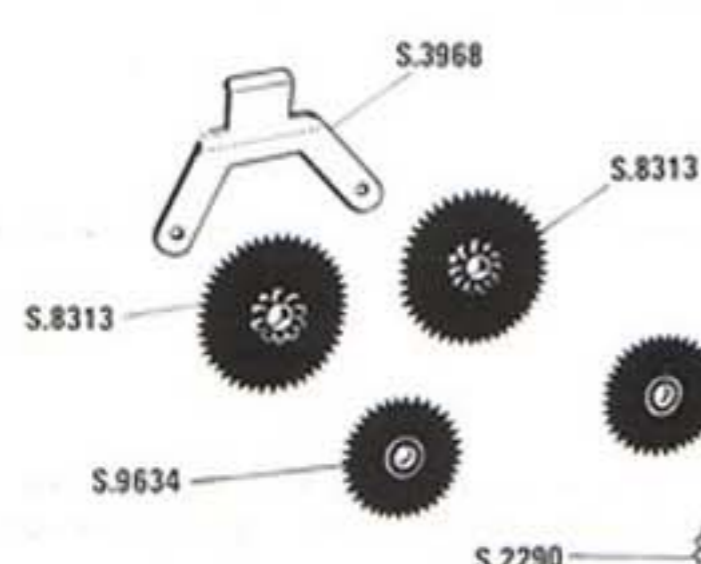


4-WHEEL POWERED BOGIES

X.942—Short wheel-base. Used with locomotives R.068, R.069, R.072, R.080 and R.084
 X.953—Long wheel-base. Used with locomotives R.074 and R.768



The coil springs (S.8382) provide contact pressure between the brushes (S.8319) and the commutator. The retaining arms must be adjusted so that the hooks hold the springs centrally in position but do not actually touch the back of the brushes.

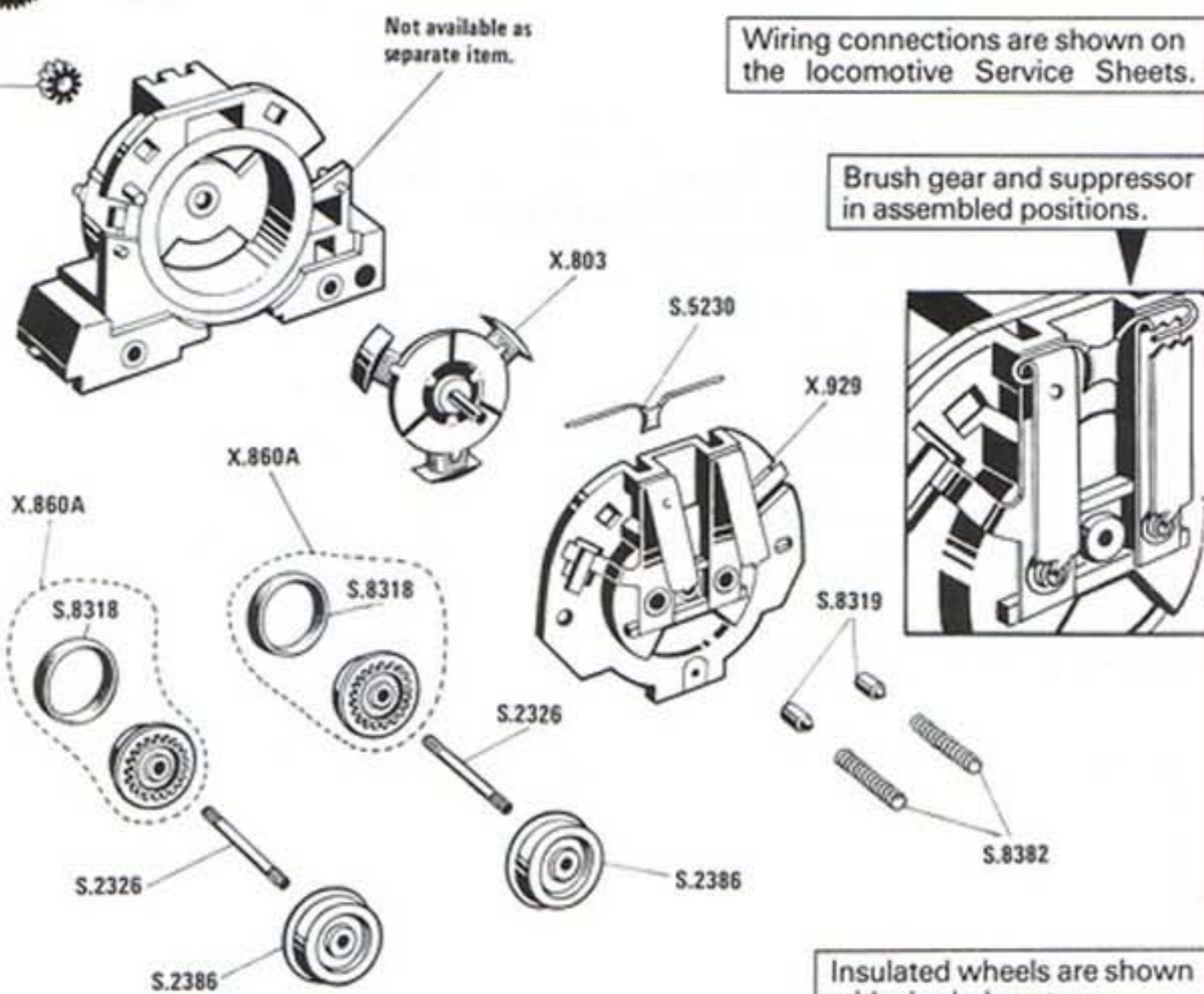
The correct pressure must be maintained when new brushes are fitted and it may be helpful to adjust the retaining arms by inserting a small screwdriver blade behind the centre of each arm and bending the bottoms slightly inwards.

Wiring connections are shown on the locomotive Service Sheets.

X.942—Short wheel-base

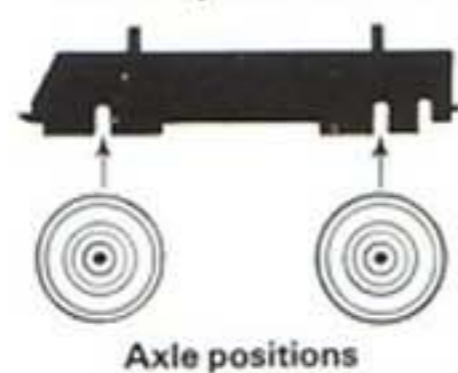


X.953—Long wheel-base

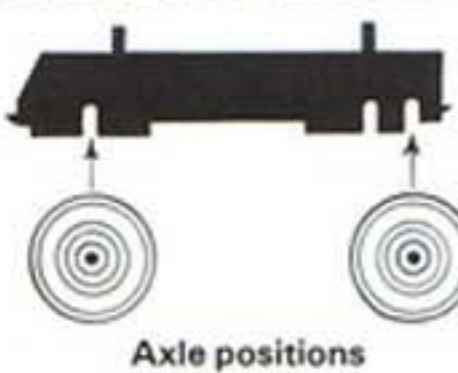


4-WHEEL NON-POWERED BOGIE

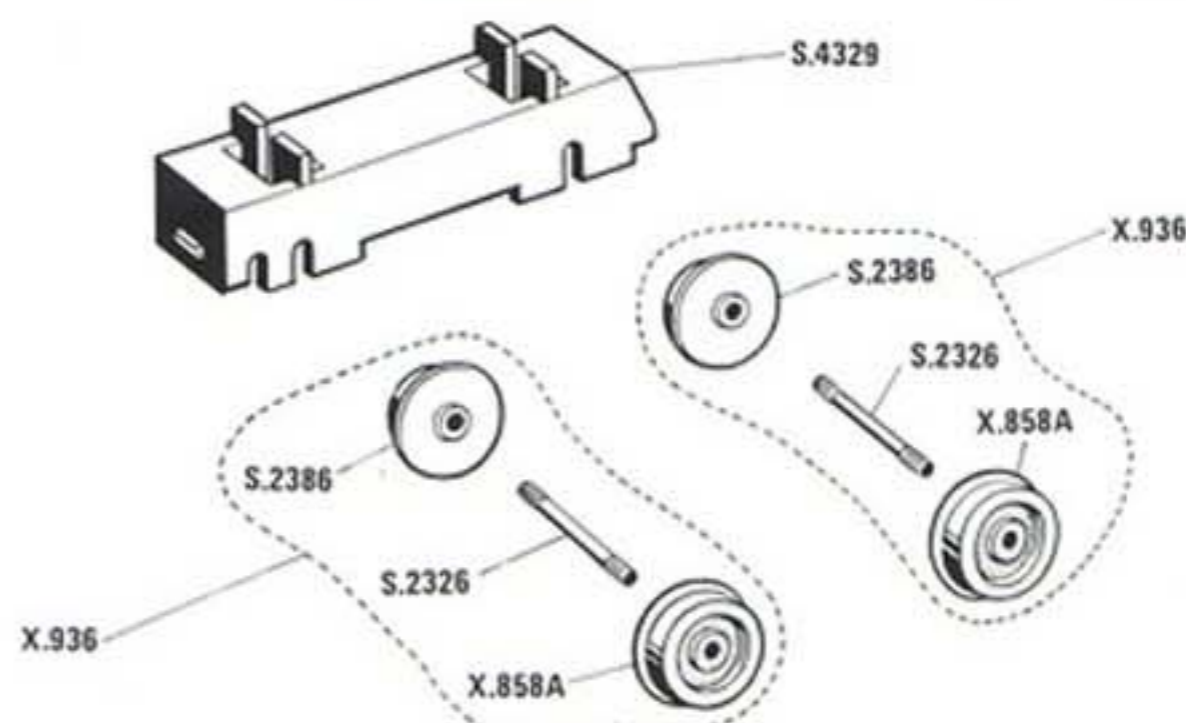
Short wheel-base
 Used with R.068, R.069, R.070, R.072, R.080 and R.084



Long wheel-base
 Used with R.074 and R.768



When assembling the non-powered bogie ensure that the insulated wheels (shaded centres) are on the correct side.



Modifications are made to models from time to time. If a spare part is required which does not coincide with the illustration, a full description should be given and, if necessary, a sketch or sample should accompany the order.

HORNBY RAILWAYS

4-WHEEL POWERED BOGIES

X.942—Short wheel-base. Used with locomotives R.068, R.069, R.072, R.080 and R.084
 X.953—Long wheel-base. Used with locomotives R.074 and R.768

List of Parts

Cat. No.	Item	For Rovex internal use only
X.803	Armature Assembly	R862-0324
X.858A	Disc Wheel—insulated	
X.860A	Disc Driving Wheel—Tyred	R062-0722
X.936	Wheel/Axle Assembly (Non Powered Bogie)	
X.929	Brush Retaining Arm Assembly	
S.2290	Spur Gear—11 Tooth	R862-0700
S.2326	Axle	R862-0830
S.2386	Disc Driving Wheel—All Metal	R062-0490
S.3968	Gear Retainer	R317-0460
S.4329	Chassis—Non Powered Bogie	R317-0570
S.5230	Capacitor	C165-0700
S.8313	Spur Gear—40/10 Tooth	R862-0050
S.8318	Traction Tyre	R862-0820
S.8319	Carbon Brush	R863-0850
S.8382	Brush Spring	R862-0860
S.9634	Spur Gear—28 Tooth	R317-0060

Notes

For lubricating instructions refer to the Hornby Locomotive Operation and Maintenance leaflet.