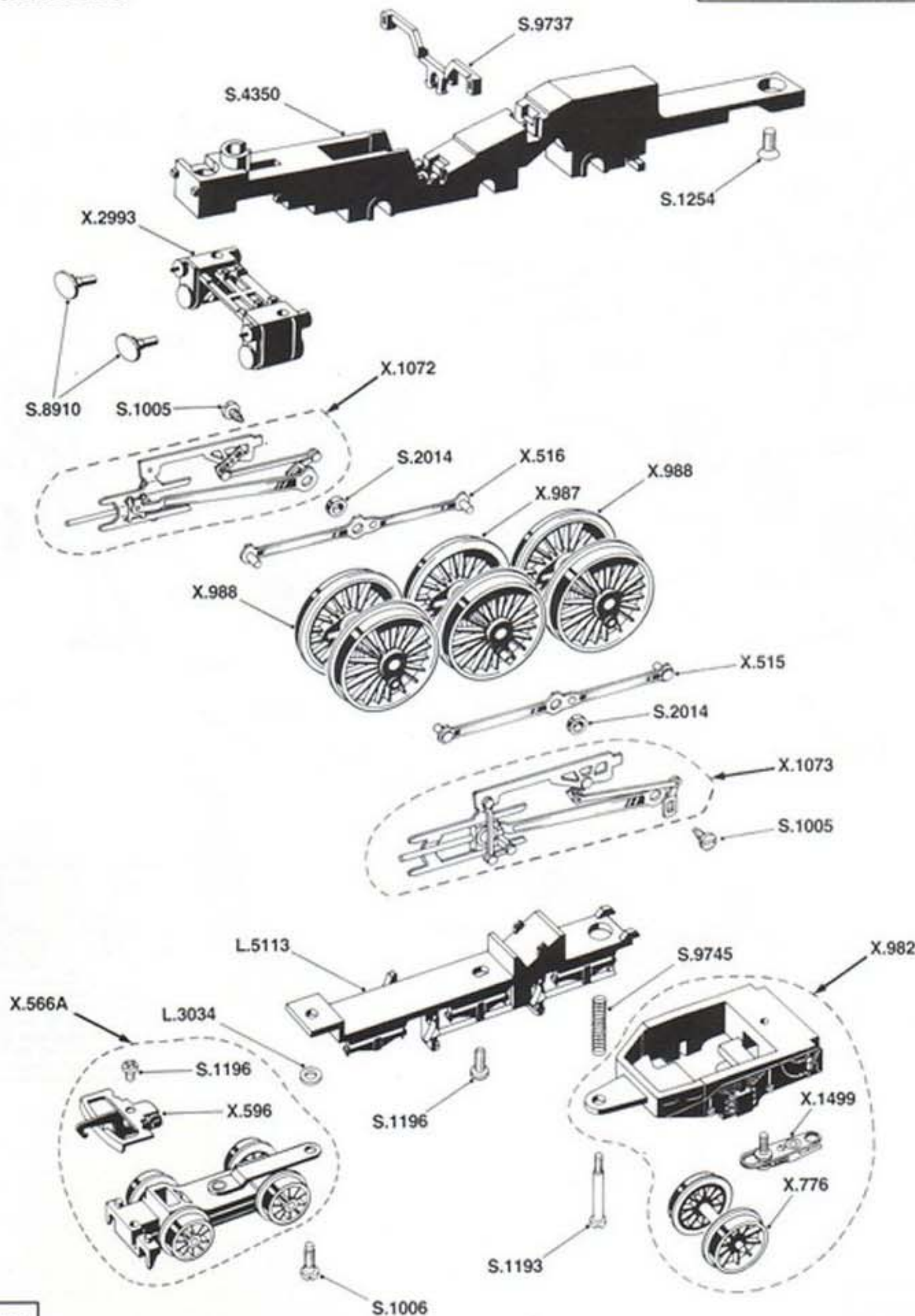


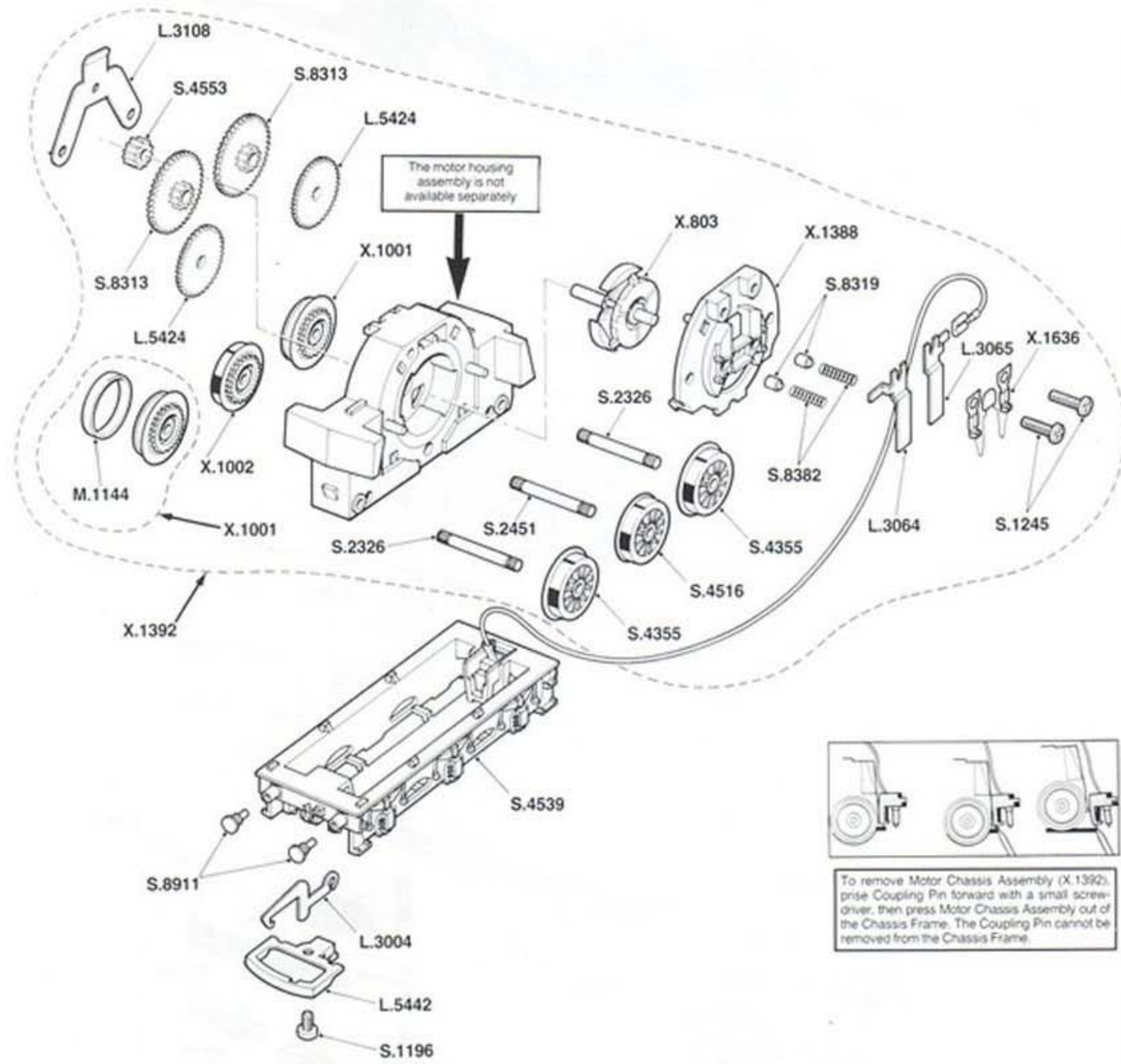
4-6-2 LOCOMOTIVE 'CORONATION' CLASS
Unstreamlined

Locomotives of this class modelled by Hornby: Duchess of Sutherland, Duchess of Atholl, Duchess of Abercorn, City of Lichfield, City of Nottingham, City of Leicester



List of Parts					
Ref. No.	Item	Ref. No.	Item	Ref. No.	Item
X.515	Coupling Rod L/H.....	X.1073	Valve Gear Assembly L/H.....	S.1006	Screw - Bogie Fixing.....
X.516	Coupling Rod R/H.....	X.1499	Close Coupling Assembly.....	S.1193	Screw - Pony Truck.....
X.566A	Bogie Assembly.....	X.2993	Cylinder Block.....	S.1196	Screw - Underframe.....
X.596	Coupling Unit.....	L.3034	Bogie Washer.....	S.1254	Screw - Body Fixing.....
X.776	Wheel/Axle Assembly.....	L.5113	Underframe.....	S.2014	Distance Piece.....
X.982	Pony Truck Assembly.....	S.1005	Screw - Valve Gear.....	S.4350	Chassis.....
X.987	Centre Driving Wheel/Axle Assy			S.8910	Buffer - Oval Head.....
X.988	Driving Wheel/Axle Assembly...			S.9737	Motion Bracket.....
X.1072	Valve Gear Assembly R/H.....			S.9745	Spring.....

TENDER for LOCOMOTIVE 'CORONATION' CLASS
Unstreamlined



List of Parts					
Ref. No.	Item	Ref. No.	Item	Ref. No.	Item
X.803	Armature/Commutator.....	L.3108	Gear Retainer.....	S.2326	Axle - Outer, Steel.....
X.1001	Driving Wheel - Tyred.....	L.5424	Spur Gear - 36 Tooth.....	S.2451	Axle - Centre, Brass.....
X.1002	Driving Wheel - Centre.....	L.5442	Coupling Bar.....	S.4355	Driving Wheel - Metal.....
X.1388	Cover Plate Assembly.....	M.1144	Traction Tyre.....	S.4516	Centre Wheel - Metal.....
X.1392	Motor/Chassis Assembly.....	S.1196	Screw - Coupling.....	S.4539	Chassis Frame.....
X.1636	Suppressor Assembly.....	S.1245	Screw - Brushgear.....	S.4553	Spur Gear - 11 Tooth.....
L.3004	Coupling Hook.....			S.8313	Spur Gear - 40/10 Tooth.....
L.3064	L/H Brush Retaining Arm.....			S.8319	Carbon Brush.....
L.3065	R/H Brush Retaining Arm.....			S.8382	Brush Spring.....
				S.8911	Buffer - Round Head.....