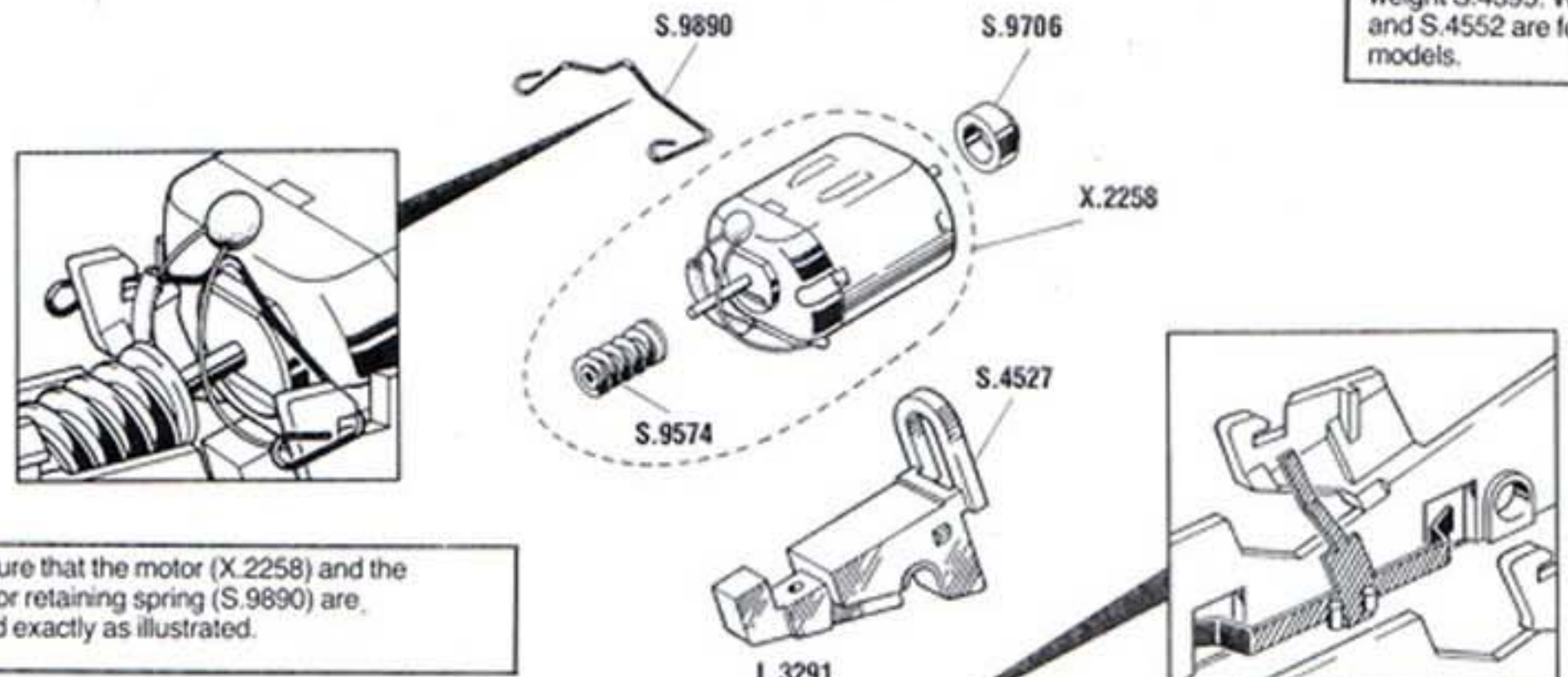
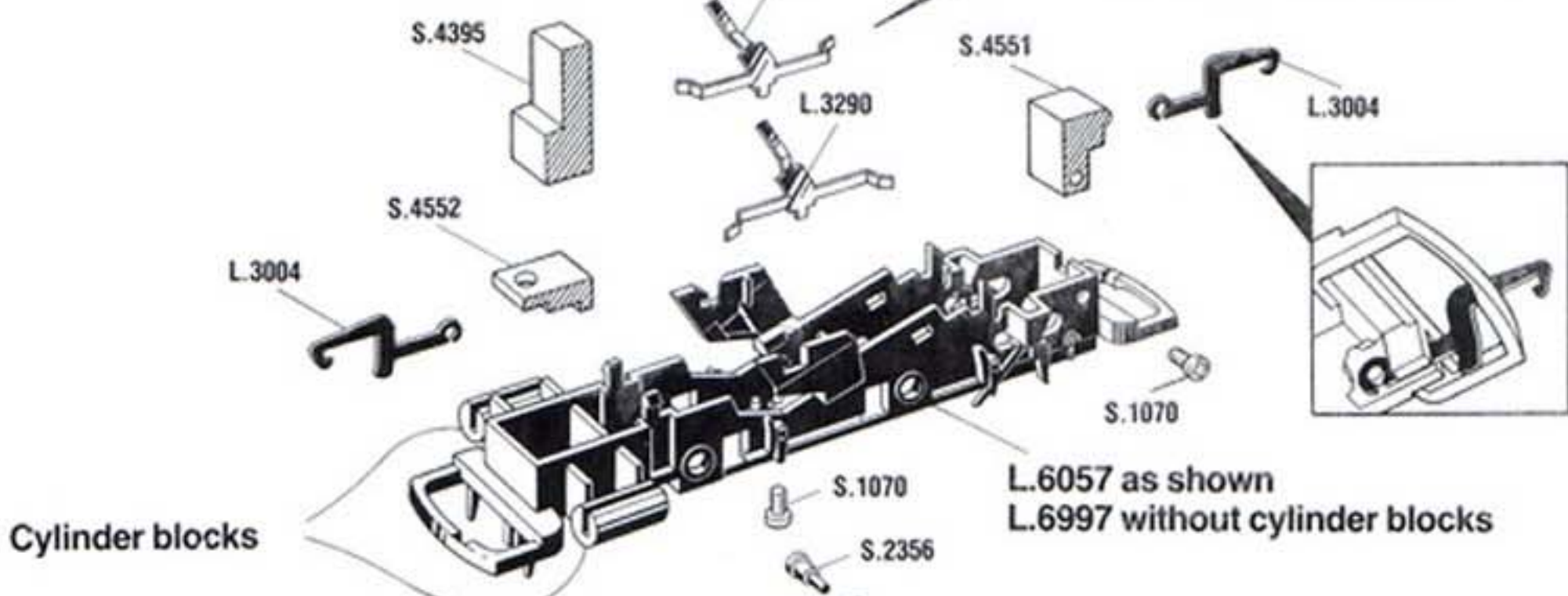


0-4-0 LOCOMOTIVE CHASSIS

Models with diecast metal footplate do not have weight S.4395. Weights S.4551 and S.4552 are for alternative models.

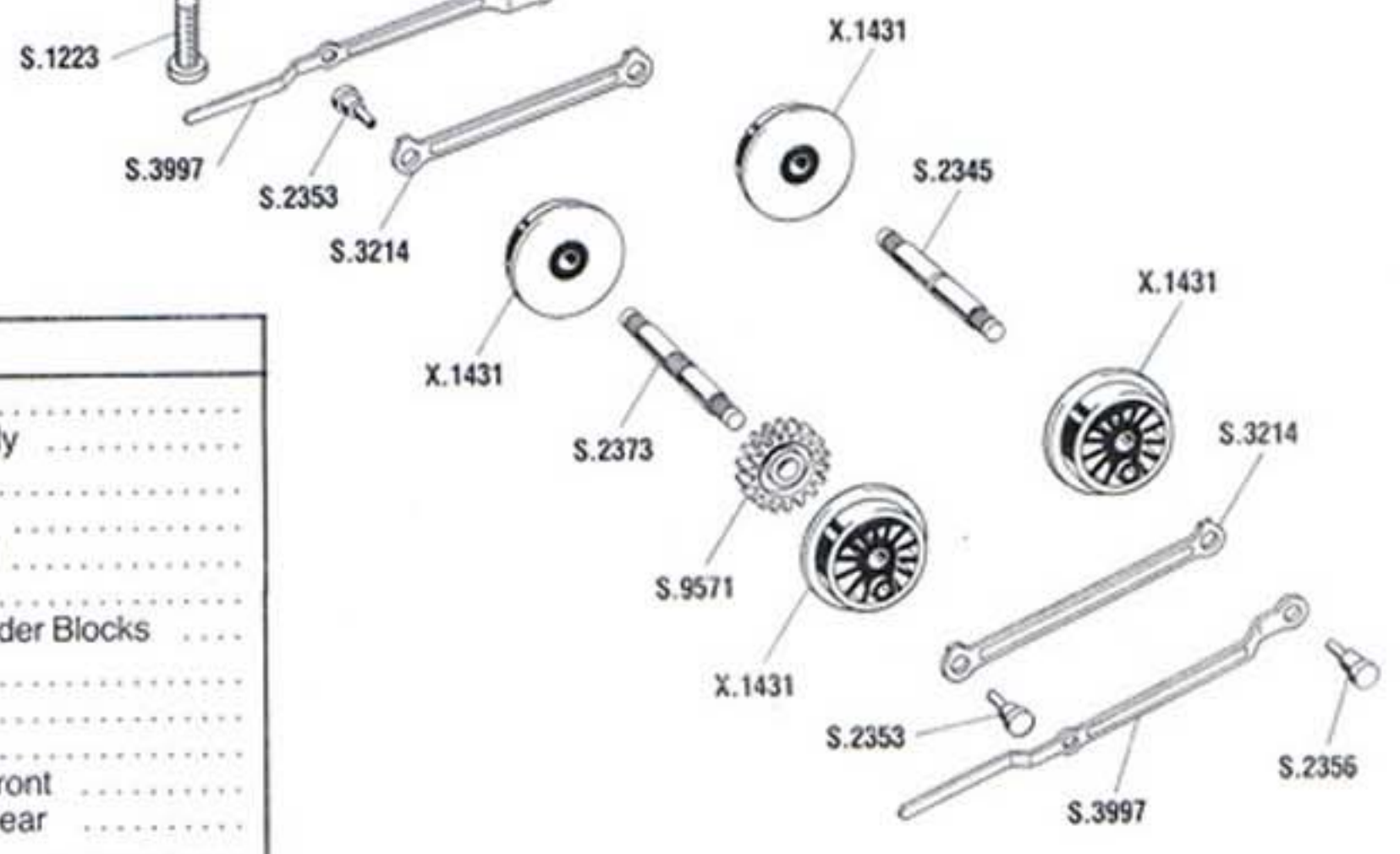


Ensure that the motor (X.2258) and the motor retaining spring (S.9890) are fitted exactly as illustrated.



Cylinder blocks

L.6057 as shown
L.6997 without cylinder blocks



List of Parts	
X.1431	Wheel Assembly
X.2258	Motor/Worm Assembly
L.3004	Coupling Hook
L.3290	Current Collector L/H
L.3291	Current Collector R/H
L.6057	Chassis
L.6997	Chassis without Cylinder Blocks
S.1070	Fixing Screw
S.1223	Fixing Screw
S.2345	Axle - Rear
S.2353	Coupling Rod Pin - Front
S.2356	Coupling Rod Pin - Rear
S.2373	Axle - Front
S.3214	Coupling Rod
S.3997	Connecting Rod/Piston
S.4395	Weight
S.4527	Motor Mounting Bracket
S.4551	Rear Weight/Clip
S.4552	Front Weight
S.8911	Buffer - Round Head
S.9571	Worm Wheel - 18 Tooth
S.9574	Worm - Single Thread
S.9706	Spacer
S.9890	Motor Retaining Spring