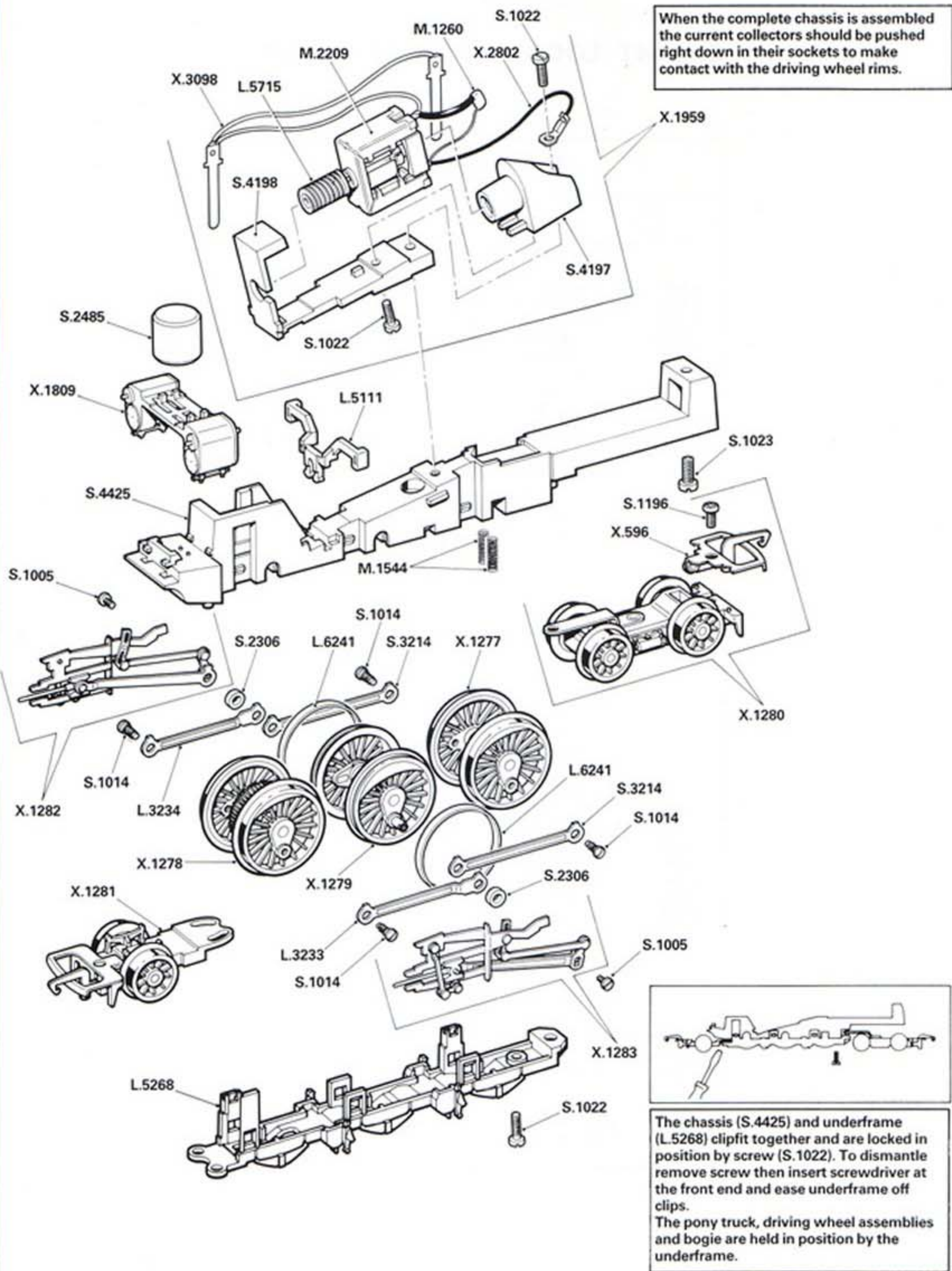


**2 - 6 - 4T LOCOMOTIVE CLASS 4P**



**2 - 6 - 4T LOCOMOTIVE CLASS 4P**

List of Parts	
Ref. No.	Item
X.596	Coupling Unit Assembly.....
X.1277	Wheel/Axle Assembly - Rear.....
X.1278	Wheel/Axle Assembly - Front.....
X.1279	Wheel/Axle Assembly - Centre.....
X.1280	Bogie Assembly.....
X.1281	Pony Truck Assembly.....
X.1282	Valve Gear Assembly - R.H.....
X.1283	Valve Gear Assembly - L.H.....
X.1809	Cylinder Block Assembly.....
X.1959	Motor Assembly.....
X.2802	Wire Assembly.....
X.3098	Collectors and Harness.....
L.3233	Coupling Rod - L.H.....
L.3234	Coupling Rod - R.H.....
L.5111	Motion Bracket.....
L.5268	Split Chassis-Bottom (Underframe).....
L.5715	Worm Gear.....
L.6241	Traction Tyre.....
M.1260	Capacitor Assembly.....
M.1544	Spring.....
M.2209	Motor only.....
S.1005	Screw - Valve Gear.....
S.1014	Screw - Coupling Rod.....
S.1022	Screw - Motor to Housing/Underframe to Chassis.....
S.1023	Screw - Chassis to Body.....
S.1196	Screw - Coupling Unit to Bogie Assembly.....
S.2306	Distance Piece.....
S.2485	Weight.....
S.3214	Coupling Rod - L.H./R.H.....
S.4197	Motor Housing - Rear.....
S.4198	Motor Housing - Front.....
S.4425	Split Chassis - Top.....
<i>Items not illustrated</i>	
L.5271	Mushroom Vent.....
L.5273	Pipework.....
L.5274	Handrail with Stanchions.....
S.8784	Vacuum Pipe.....
S.8910	Buffer - Oval Head.....