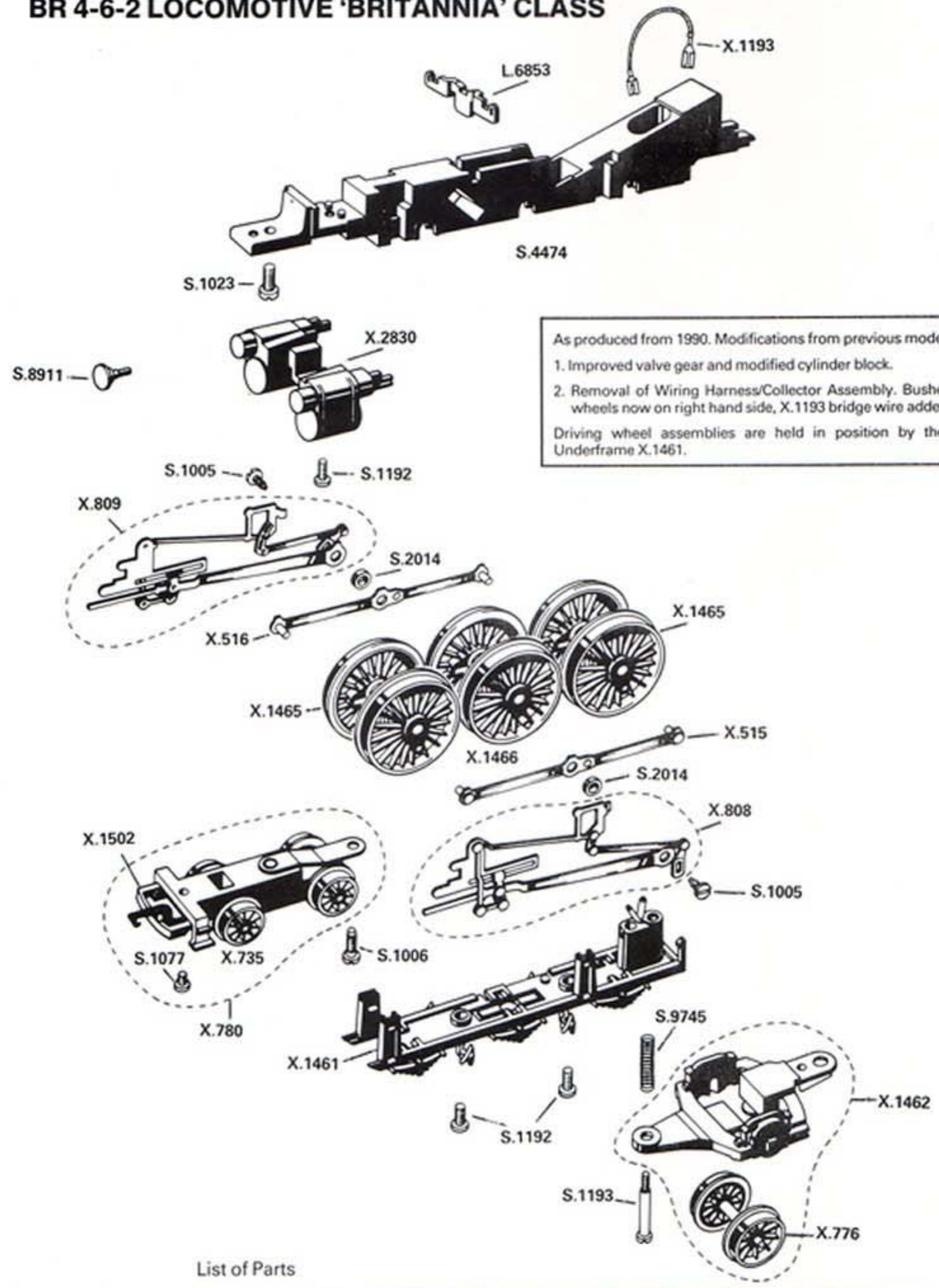


BR 4-6-2 LOCOMOTIVE 'BRITANNIA' CLASS



As produced from 1990. Modifications from previous model are:
 1. Improved valve gear and modified cylinder block.
 2. Removal of Wiring Harness/Collector Assembly. Bushed driving wheels now on right hand side, X.1193 bridge wire added.
 Driving wheel assemblies are held in position by the Chassis Underframe X.1461.

List of Parts

X.515	Coupling Rod - LH	X.2830	Cylinder Block Assembly
X.516	Coupling Rod - RH	L.6853	Motion Bracket
X.735	Bogie Wheel	S.1005	Screw - Valve Gear
X.776	Pony Truck Wheel Assembly	S.1006	Screw - Bogie Fixing
X.780	Bogie Assembly	S.1023	Screw - Body Fixing
X.808	Valve Gear Assembly - LH	S.1077	Screw - Coupling Unit
X.809	Valve Gear Assembly - RH	S.1192	Screw - Miscellaneous
X.1193	Bridge Wire Assembly	S.1193	Screw - Pony Truck
X.1461	Underframe	S.2014	Distance Piece
X.1462	Pony Truck Assembly	S.4474	Chassis
X.1465	Driving Wheel/Axle Assembly	S.8911	Buffer - Round Head
X.1466	Centre Driving Wheel/Axle Assembly	S.9745	Spring
X.1502	Coupling Unit		